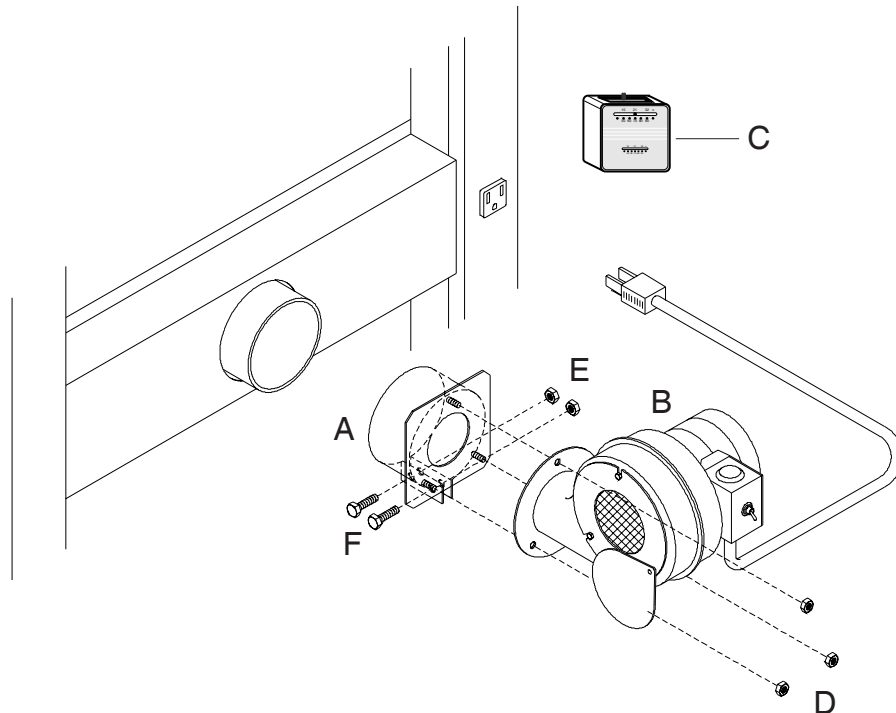
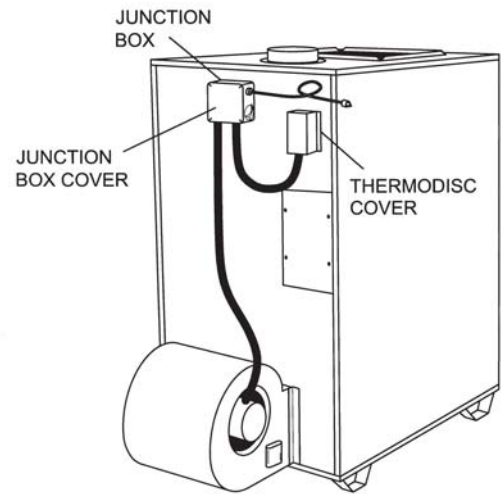


16DIKL Instruction Sheet

United States Stove Company • 227 Industrial Park Road • P.O. Box 151 • South Pittsburg, TN 37380 • Ph #: 800-750-2723 • E-mail: usstove.com

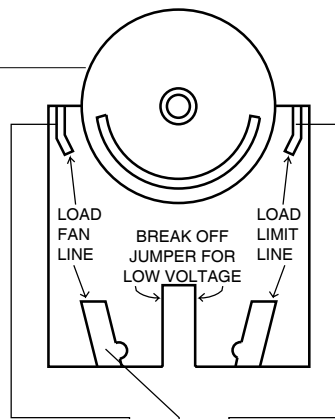
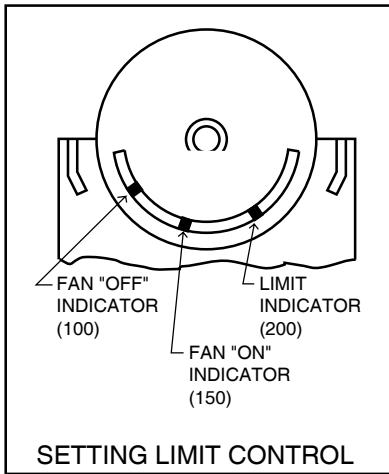
Instructions

1. Remove contents from the carton. Make sure all components are present and not damaged.
2. Unplug the power supply to the unit.
3. Remove the *Thermodisc Cover*. Then unplug the two wires going to the thermodisc. With a pair of wire strippers, cut the two terminals off and re-strip the wire to a 1/4". Remove the conduit from the cover. Find the *Blue* wire supplied with the kit. Feed this wire through the conduit you just removed. Then, mount the conduit to the *High Limit Switch*. Next, remount the thermodisc cover back to the rear of the unit with the same four screws it was attached with. Then mount the high limit switch to the cover with the screws provided.
4. On the *Junction Box*, remove the cover by just loosening the screws and sliding it off. Wire the *Fan Center* according to the wiring diagram then mount the fan center to the junction box.
5. On the front of the furnace, remove the manual draft knob. Attach the Fan Assembly (B) to the FAD Bracket with the #10-24 Kep Nuts (E) provided. Attach the assembly to the draft tube on the front of the unit (as shown in figure below) with the lock nuts and bolts provided. Plug the FAD Assembly power cord into the outlet on the front of the unit.
6. Wire the thermostat (C) to the fan center on the back of the unit according to the wiring diagram.



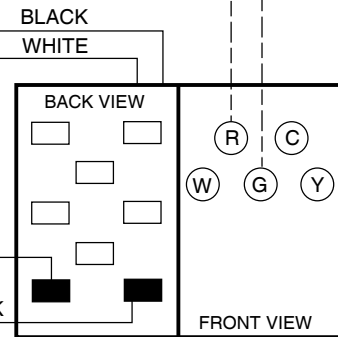
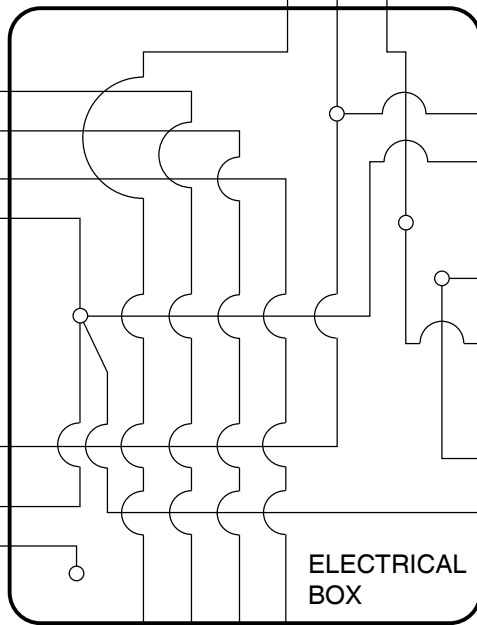
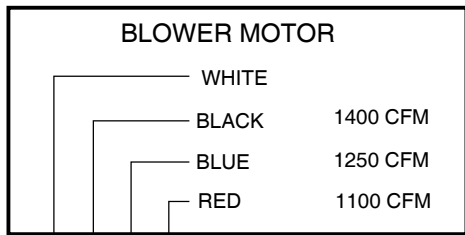
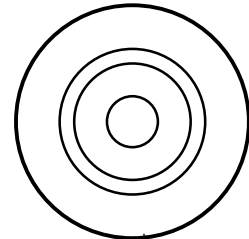
| QTY. | DESCRIPTION | PART# | QTY. | DESCRIPTION | PART# |
|------|----------------------------|-------|------|------------------------|-------|
| 1 | High Limit Control | 80145 | 1 | Thermostat | 80129 |
| 1 | Fan Center | 80130 | 3 | 10-24 Kep Nut | 83244 |
| 1 | 18 GA AWG Blue Wire - 1 FT | 80342 | 2 | 1/4-20 Locknut/Jam Top | 83261 |
| 1 | FAD Bracket | 69192 | 2 | 1/4-20 x 1 Bolt, Zinc | 83379 |
| 1 | Fan Assembly | 69190 | | | |

WIRING SCHEMATIC



Honeywell
 LIMIT SWITCH

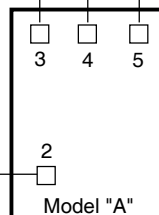
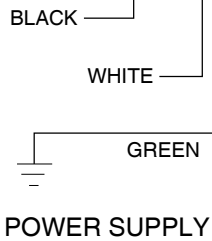
WALL THERMOSTAT



FAN CENTER

BLACK

WHITE



3-SPEED SWITCH
 (Two Models are available
 Model "A" and Model "B".
 Check your switch to see
 which model you have
 and wire accordingly)

