

**MAKE YOUR ARDENT FIREPLACE A FOCAL POINT**  
**B20CMK**  
**CORNER MANTLE KIT**  
A SAFETY LISTED ACCESSORY

- Converts B2020 Fireplace with mantle from wall unit to corner installation.
- Space Saving Design allows fireplace to be located in “out of the way” corner.
- Saves valuable wall space
- Easily assembled in minutes - detailed instructions and hardware included.

## **CHECK TO INSURE YOU HAVE THE FOLLOWING:**

### **Components and Hardware**

- 1)** Triangle Filler Shelf with support brace mounted
- 2)** Side Filler Panels - one Left, one Right, pre-drilled
- 3)** Shelf Supports, pre-drilled - (2)
- 4)** Finishing Trim Pieces - one Left, one Right
- 5)** Hardware Package Contents:
  - a. Self Tapping, screw in, sheet rock wall anchors - (4)
  - b. 1½" x #8 Phillips Head (#2) Screws suitable for use with wall anchors - (4)
  - c. 1-3/8" x #8 Drill Point, Phillips Head (#2) screws, to mount Triangle Filler Shelf to the B2020 Mantel - (4 required)
  - d. 1½" x #6, Drill Point, Phillips Head (#2) screws, suitable to mount Side Filler Panels to B2020 Mantel (8 required)
  - e. ¾" Finishing Nails for trim - (8 required)
- 6)** Detailed Instruction Sheet

### **Tools that you will need to complete the installation:**

36" Spirit Level (a 24" will work, but not as easy to handle).  
Tape Measure  
Electrical Drill (optional)  
Pencil  
Awl or 3" finishing nail  
#2 Phillips Screw Driver  
Safety Glasses  
Gloves

## **BEFORE GETTING STARTED**

**PLEASE!** Be sure to refer to the Owner's Operation and Installation Manual. There are specific Clearances and Installation Guidelines which must be closely followed. **READ THE MANUAL.**

Select your corner location accordingly, keeping in mind the necessary Gas and Electrical connections.

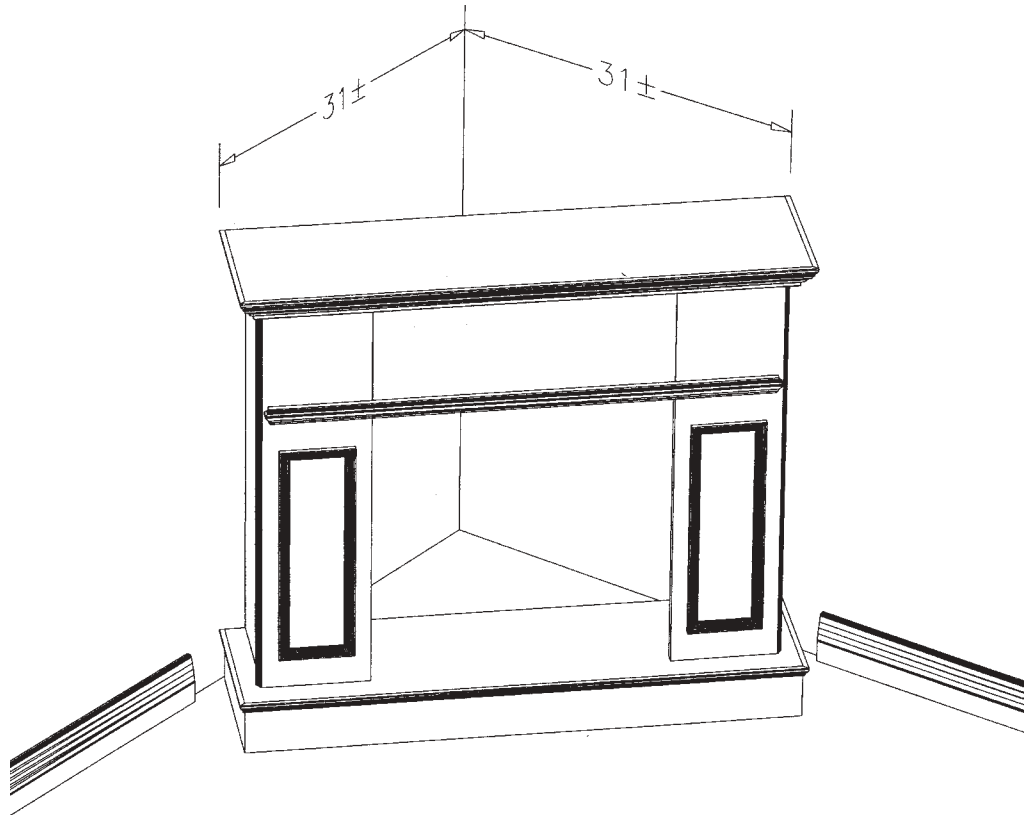
**NOTE:** Corners seldom meet at a perfect 90° angle. Most imperfections will be concealed by the 3/8" x 7/8" trim pieces. Follow the instructions.

**NOTE:** Floor surface at the base of the corner may be irregular. For this reason, carefully follow the step-by step instructions.

**NOTE:** Do not choose a location subject to draft or strong air currents. Flame stability may be adversely affected, resulting in **sooting**.

# INSTALLATION INSTRUCTIONS

**STEP 1:** After you have selected your corner location and are set up to make the gas connection, place the B2020 Fireplace against walls at a 45° angle equidistant from the corner (Figure 1). **CHECK FOR ANY OBSTRUCTIONS TO IMPEDE YOUR INSTALLATION.** Be certain to cut out (or otherwise remove) any baseboard, cove molding, toe molding, chair railing, carpet tacking strips, or any other items which interfere with your installation or affect the **LEVEL** of your location.



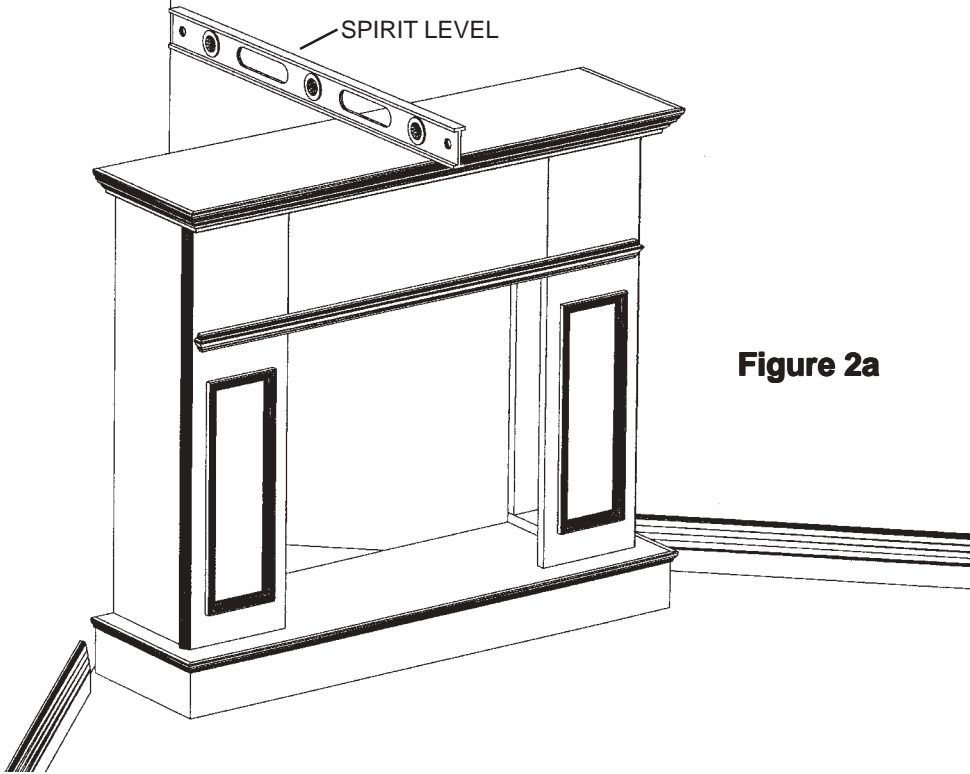
**Figure 1**

**STEP 2:** Install Wall Supports. (Figure 2a ,b & c)

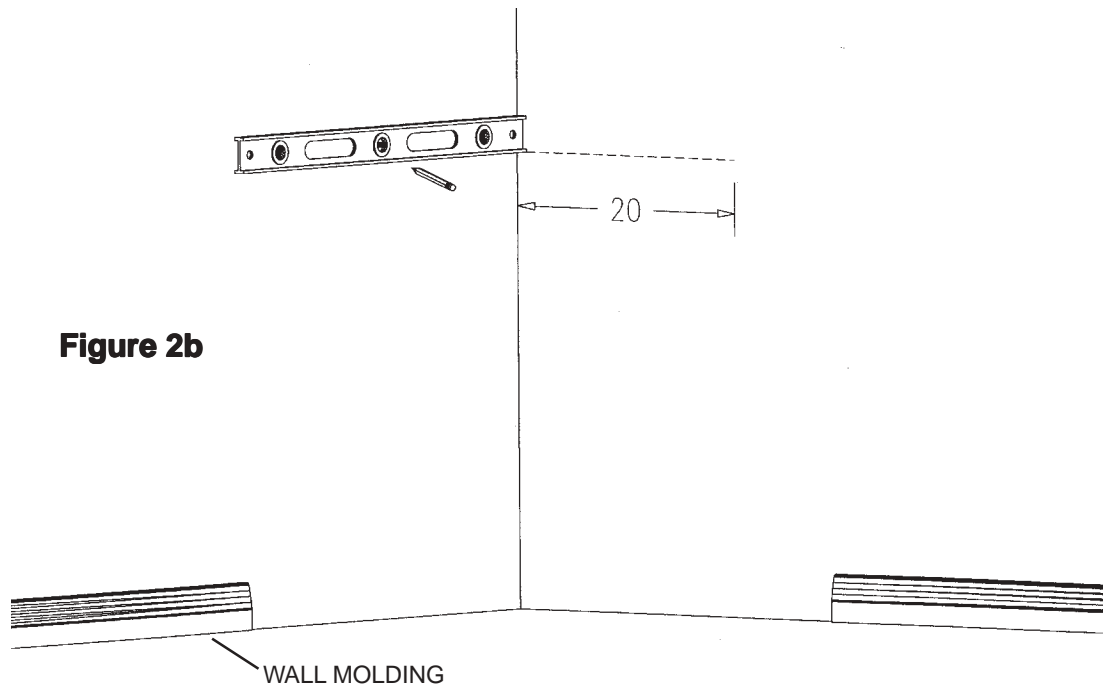
- a) With the B2020 fitted against the walls, place the Spirit Level on top of the mantel and extended to the corner. Make a faint pencil mark at the **bottom edge** of the level where it touches the corner.
- b) Remove the Fireplace to allow workroom.
- c) Locate the pencil mark (which would be level with the top of the mantel). Now, measure down  $\frac{3}{4}$ " from your first pencil mark and make another mark. This one represents the TOP of the Shelf Supports.
- d) Using the second mark (the lower mark) as your reference/pivot point for the Spirit Level, adjust level up/down. When bubble is centered, pencil a line from reference point out 20".
- e) Repeat (a) through (d) for other side.
- f) Place Shelf Support on one wall level with your 20" line. Using a pointed awl (or nail) mark locations of holes through wall supports.
- g) Remove wall support and make starter holes for wall anchors on the marks.
- h) Using a Phillips Head Drive, screw anchors into the wall, seating firmly.

**STEP 2** continued...

- i) Replace Shelf Supports, positioning holes directly over centers of wall anchors and install using the proper screws-1½" #6.
- j) Repeat steps (a) through (i) for the other Shelf Support.

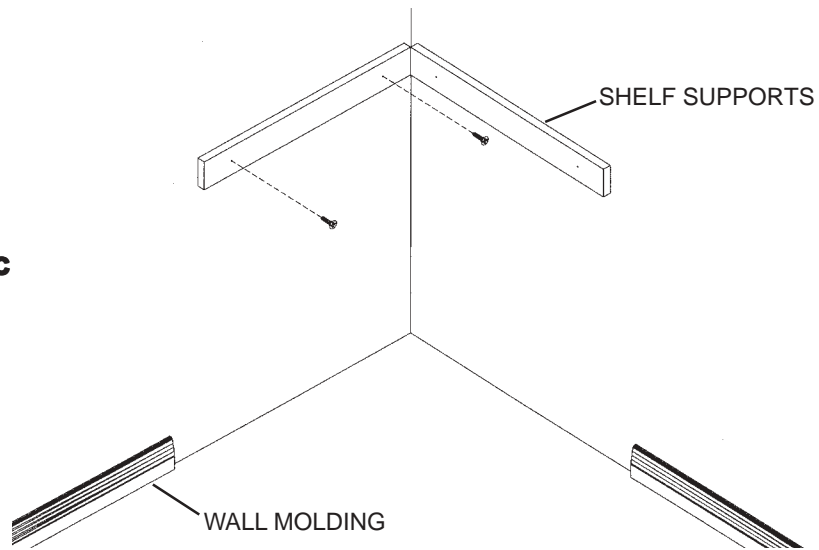


**Figure 2a**



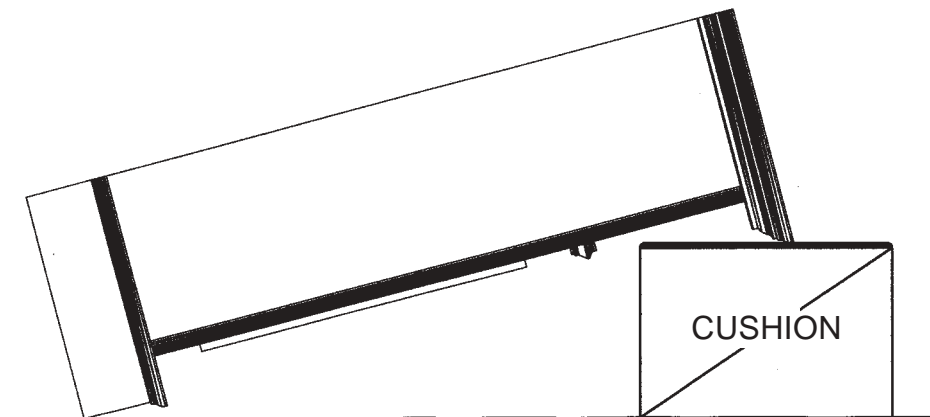
**Figure 2b**

**Figure 2c**



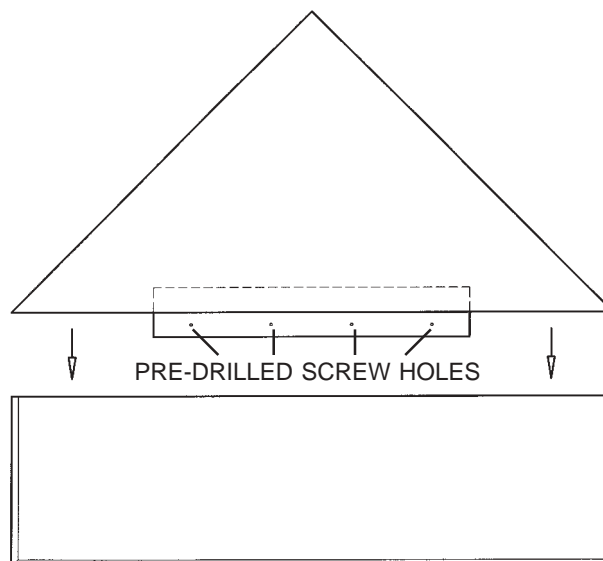
**STEP 3:** Carefully tilt B2020 over on its front, support it so finish is not marred (Figure 3a). Fit up the Triangular Filler Shelf making sure it is properly lined up with the B2020 mantel. (Figure 3a)

**Figure 3a**



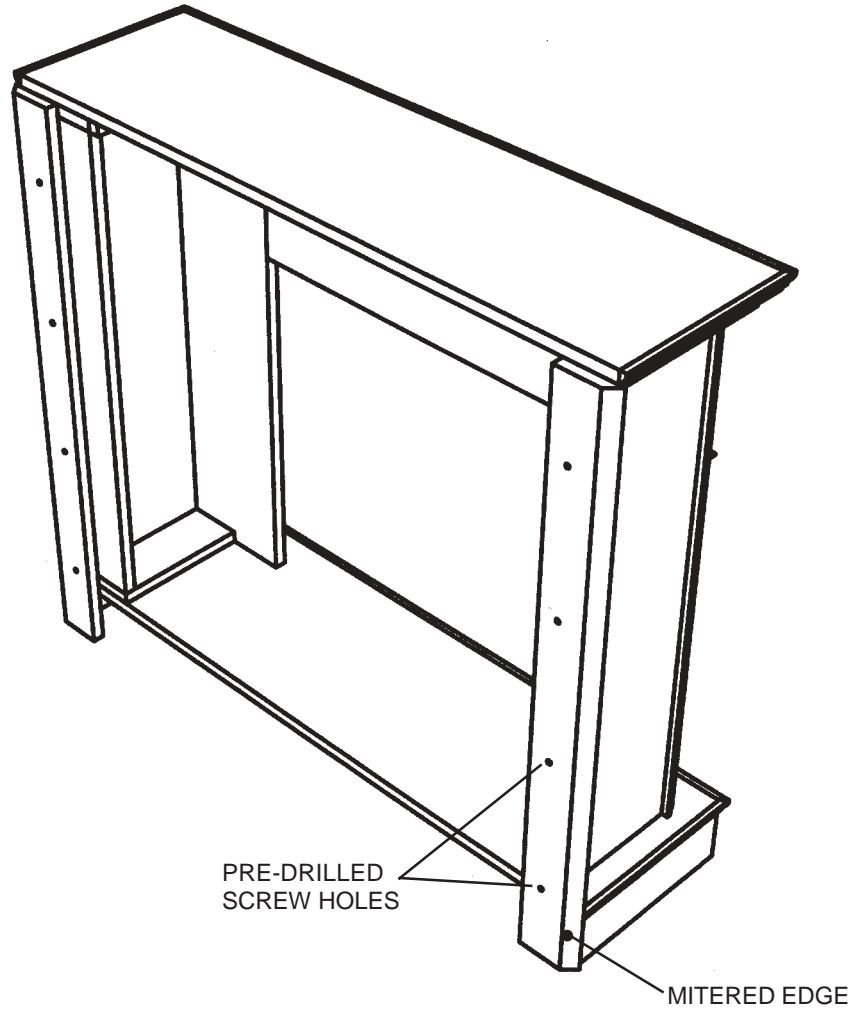
**STEP 4:** When shelf is properly located (exactly centered) attach to mantel, using the four (4) special drill point screws (1-3/8 x #8) through the pre-drilled holes. TIGHTEN all four (4) screws. (Figure 3b)

**Figure 3b**

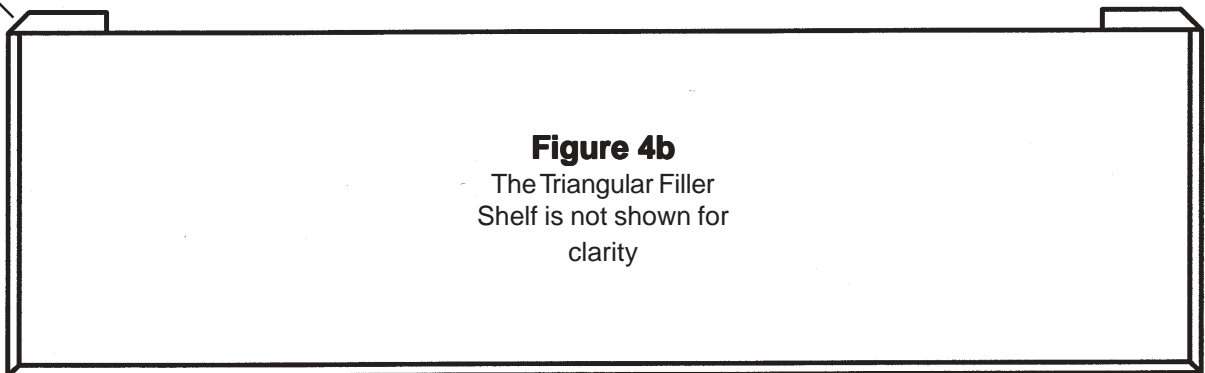


**STEP 5:** Locate the Right and Left Side Filler Panel and fit up to rear of B2020 in the proper location (Figure 4a, b, & c) taking special care to insure the finished sides face out and that the 45° angled edges are in alignment with the rear edge of mantel and base. Side Fillers should be touching the bottom side of the Triangular Filler Shelf (Figure 4d) and secure in place with the eight (8) special drill point screws (1½" x #6) in the pre-drilled holes. (4 per side)

**Figure 4a**  
The Triangular Filler Shelf is not shown for clarity

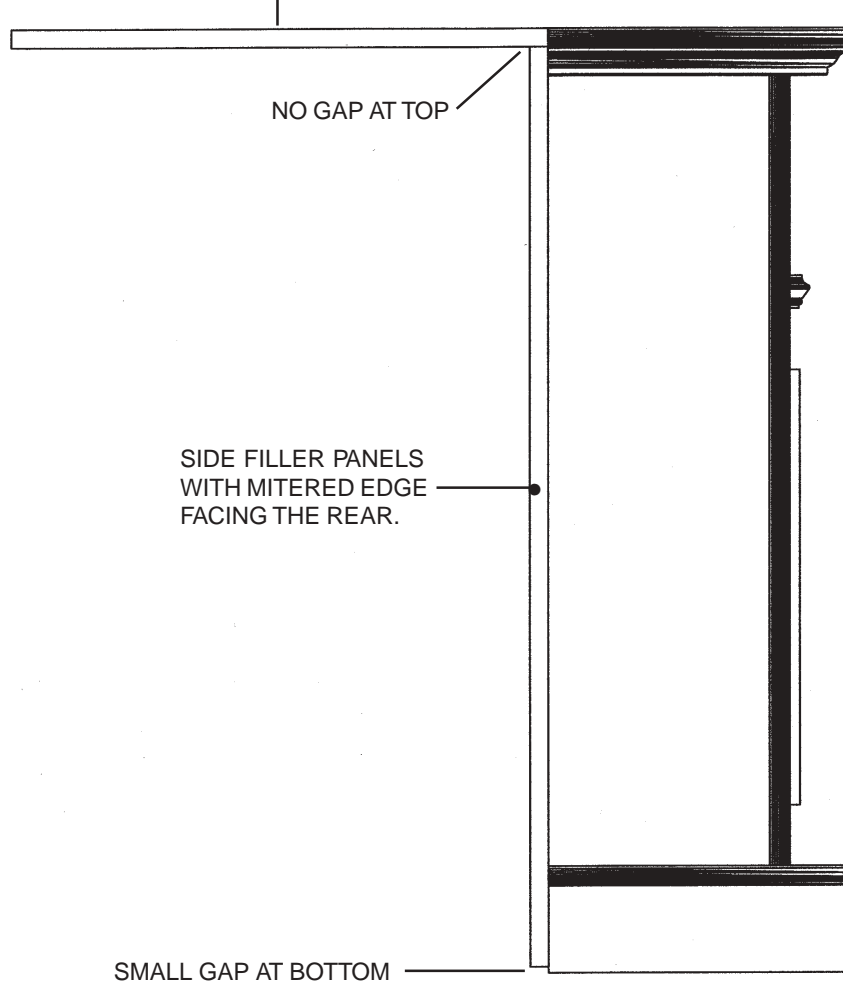


ALIGN THE SIDE FILLERS WITH THE EDGE OF THE MANTEL AND THE MITERED EDGE FACING THE REAR.



**Figure 4b**  
The Triangular Filler Shelf is not shown for clarity

PLACE NO WEIGHT ON SHELF UNTIL IT IS FULLY  
INSTALLED AND SUPPORTED IN IT'S CORNER.



**Figure 4c**

- STEP 6:** Carefully raise the B2020 Fireplace with Triangular Filler Shelf and Side Filler Panels now in place.
- STEP 7:** With assistance, GENTLY move the B2020 Fireplace (Triangular AND SIDE FILLER PANELS installed and in place) towards the corner - DO NOT LIFT BY THE UNSUPPORTED TRIANGULAR SHELF. At this point, you must refer the installer to the Installation Manual, starting at page 12 (GAS CONNECTION).
- STEP 8:** With the Gas Connection made and provision allowed for accessory electrical outlet, you are ready for final installation.
- STEP 9:** Carefully move the fully assembled B2020 and Corner Mantel Kit into final position.
- STEP 10:** Install Mitered Trim Pieces (there is a right and left hand) using 1" wire brad finishing nails.
- OPTIONAL:** You may want to secure the Triangular Filler Shelf to the Wall Supports. If so, do it before STEP 10. Drill at least one small pilot hole (per side) 3/8" from Shelf edge, through shelf and into support(s). Drive finishing nail(s) through shelf into support. THEN GO TO STEP 10.