

Owner's Instruction and Operation Manual



Model Number:

GW1949



Report Number: F20-572

Certified to UL1482-2022 and Certified to
CAN/ULC S627:2023

Mobile Home / Transportable Building approved

U.S. Patent US7861707B2



* All Pictures In This Manual Are For Illustrative Purposes Only. Actual Product May Vary.

852489P-0505N

Save These Instructions In A Safe Place For Future Reference.



SAFETY NOTICE: If this heater is not properly installed, a house fire may result. For your safety, follow the installation instructions. Never use make-shift compromises during the installation of this heater. Contact local building or fire officials about permits, restrictions and installation requirements in your area. **NEVER OPERATE THIS PRODUCT WHILE UNATTENDED.**



CAUTION! Please read this entire manual before you install or use your new room heater. Failure to follow instructions may result in property damage, bodily injury, or even death. Improper Installation Will Void Your Warranty!

U.S. Environmental Protection Agency

Certified to comply with 2020 particulate emissions standards.

Do not install in a sleeping room
This unit is not intended to be used as a primary source of heat.



CALIFORNIA PROPOSITION 65 WARNING:

This product can expose you to chemicals including carbon monoxide, which is known to the State of California to cause cancer, birth defects, and/or other reproductive harm. For more information, go to www.P65warnings.ca.gov

THIS MANUAL IS SUBJECT TO CHANGE WITHOUT NOTICE.

This manual describes the installation and operation of the USSC, GW1949 wood heater. This heater meets the 2020 U.S. Environmental Protection Agency’s crib wood emission limits for wood heaters sold after May 15, 2020. Under specific test conditions this heater has been shown to deliver heat at rates ranging from 12,706 to 27,220 Btu/hr and 0.8 g/hr and 70% efficiency.

Heating Specifications		
Estimated Fuel Burn Rate* (lowest setting)	2 lb/hr	* Pellet size may affect the actual rate of fuel feed, burn times, and hopper capacity. Fuel feed rates may vary by as much as 20%. Use PFI listed fuel for best results.
Estimated Burn Time (lowest setting)	30 hrs	
Hopper Capacity *	up to 60 lbs (27kg)	
Dimensions		
Overall: Height x Width X Depth	50” (1270 mm) X 24” (610 mm) X 15” (381 mm)	
Weight	131 lb (59.5 kg)	

WARNING:

IT IS AGAINST FEDERAL REGULATIONS TO OPERATE THIS WOOD HEATER IN A MANNER INCONSISTENT WITH THE OPERATING INSTRUCTIONS IN THE OWNER’S MANUAL.



Note: Register your product by using your smart phone with the QR code. Save your receipts with your records for any warranty claims.

You can also register your product online at www.usstove.com/support/product-registration / OR by downloading the US Stove Company app available for iOS and Android.

For Customer Service, please call:
1-800-750-2723 Ext 5050 or;
Text to 423-301-5624 or;
Email us at:
customerservice@usstove.com

INSTALLATION CHECKLIST



Your Wood Stove should be installed by a qualified installer only. An NFI qualified Installer can be found at www.nficertified.org/public/find-an-nfi-pro/

CUSTOMER SERVICE

1-800-750-2723 ext 5050
Text to 423-301-5624
Email to: Customerservice@usstove.com

COMMISSIONING CHECKLIST

This checklist is to be completed in full by the qualified person who installs this unit. Keep this page for future reference. Failure to install and commission according to the manufacturer's instructions and complete this checklist will invalidate the warranty.

Please Print

Customer Name:	Telephone Number:
Address:	
Model:	
Serial Number:	
Installation Company Name:	Phone Number:
Installation Technician's Name:	License Number:

DESCRIPTION OF WORK

Location of installed appliance: _____

Venting System: New Venting System Yes No If yes, Brand _____

If no, Date of inspection of existing venting system: _____

COMMISSIONING

- Confirm Hearth Pad Installation as per Installation Instructions.....
- Confirm proper placement of internal parts.....
- Check soundness of door gasket and door seals
- Confirm clearances to combustibles as per installation instructions in this manual
- Check the operations of the air controls.....
- Confirm the venting system is secure and sealed
- Confirm the stove starts and operates properly
- Check to ensure a CO alarm is installed as per local building codes and is functional
- Explain the safe operation, proper fuel usage, cleaning, and routine maintenance requirements.....

Declaration of Completion: As the qualified person responsible for the work described above, I confirm that the appliance as associated work has been installed as per manufacturer's instructions and following any applicable building and installation codes.

Signed: _____ Print Name: _____ Date: _____

Home Owner: RETAIN THIS INFORMATION FOR FUTURE REFERENCE

FOR CUSTOMER SERVICE CALL: 800-750-2723 EXT 5050

TOOLS AND MATERIALS

- One 1/2" opened ended wrench
- One 7/16" open ended wrench
- One 3/4" socket and ratchet wrench
- Screw gun (cordless is recommended)
- One 5/16" nut driver (extension is recommended)
- One torpedo level
- Needle nose pliers

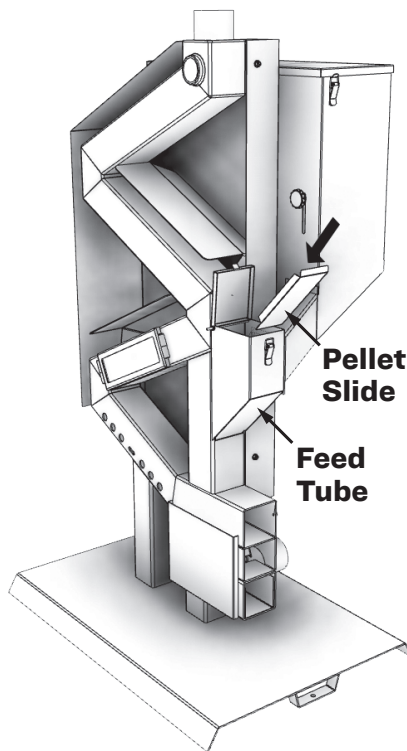
go in first. The pellet slide will slide in and seat at the bottom of the feed tube.

CAUTION:

THE APPLIANCE IS VERY HEAVY. THE ASSISTANCE FROM A SECOND PERSON IS STRONGLY SUGGESTED. PLEASE USE PROPER LIFTING TECHNIQUE WHEN POSITIONING THE APPLIANCE FOR ASSEMBLY AND INSTALLATION.

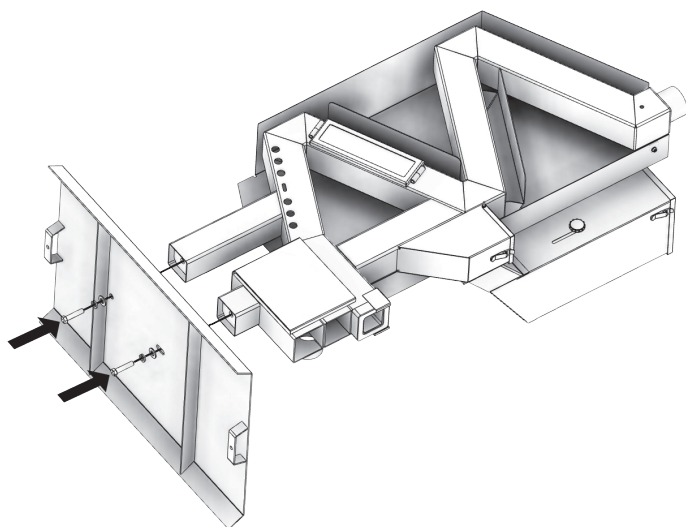
MAIN BODY ASSEMBLY

1. Prepare a solid flat work surface. Lay the main stove body on the work surface. Position the stove so that the legs are hanging off of the surface approximately six inches.
2. Install the base as shown with the two (2) 7/16" hex bolts, two (2) flat washers, and two (2) lock washers provided with your stove. Note: There is a long end and a short end to the base. To ensure stability of the stove, the long end must face the right side of the stove.



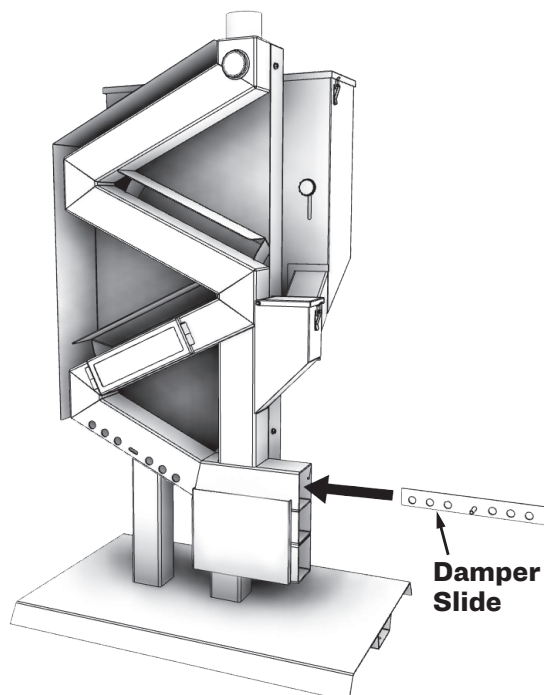
DAMPER SLIDE INSTALLATION

1. Insert the damper slide into place; it will only fit one way.

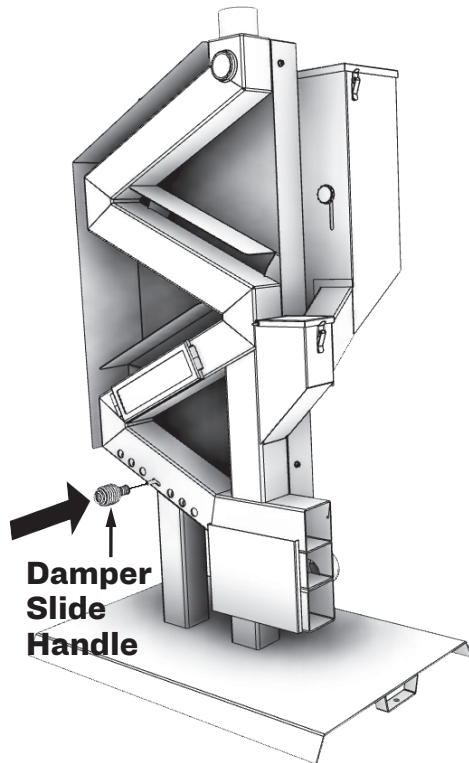


PELLET SLIDE INSTALLATION

Install the pellet slide as shown. The chute (flat end) will

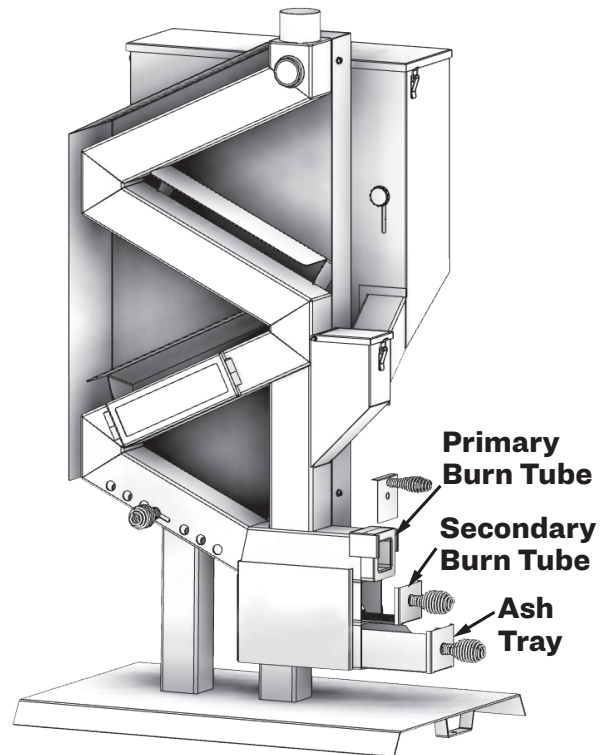


2. Screw on the damper slide handle by turning clockwise.



BURN TUBE & ASH TRAY INSTALLATION

Install primary burn tube, secondary burn plate, and ash tray.



FOR CUSTOMER SERVICE CALL: 800-750-2723 EXT 5050

SAFETY NOTICE

- ALWAYS READ AND FOLLOW THE INSTRUCTIONS FOR SAFE USE AND MAINTENANCE OF YOUR STOVE.
- SURFACES OF THE STOVE GET EXTREMELY HOT!
- IF THIS STOVE IS NOT PROPERLY INSTALLED, A HOUSE FIRE MAY RESULT. TO REDUCE THE RISK OF FIRE, FOLLOW THE INSTALLATION INSTRUCTIONS.
- CONTACT YOUR LOCAL BUILDING OFFICIALS TO OBTAIN A PERMIT AND INFORMATION ON ANY ADDITIONAL INSTALLATION RESTRICTIONS OR INSPECTION REQUIREMENTS IN YOUR AREA.
- BE AWARE THAT SURFACES MAY STILL BE HOT FOR AN EXTENDED PERIOD OF TIME AFTER THE STOVE HAS BEEN SHUT DOWN.
- NEVER LEAVE YOUNG CHILDREN OR PETS AROUND ANY HEATING SOURCE.
- EDUCATE YOUR FAMILY BEFORE BEGINNING OPERATION OF YOUR NEW STOVE.
- NEVER BLOCK FREE AIRFLOW THROUGH THE OPEN VENTS OF THE STOVE.
- DO NOT PLACE FLAMMABLE ITEMS ON OR NEAR ANY STOVE.
- NEVER PLACE FOREIGN OBJECTS IN THE HOPPER.
- THIS STOVE WAS DESIGNED AND APPROVED FOR PELLETIZED WOOD FUEL ONLY. ANY OTHER TYPE OF FUEL BURNED IN THIS STOVE IS PROHIBITED.
- DO NOT CONNECT THIS UNIT TO CHIMNEY FLUE SERVING ANOTHER APPLIANCE.
- THIS IS A WOOD STOVE THAT BURNS PELLET FUEL. IT MUST BE TREATED AS A WOOD STOVE. AS WITH ANY WOOD STOVE PERIODIC CLEANING AND MAINTENANCE IS REQUIRED. FAILURE TO CLEAN AND MAINTAIN YOUR STOVE AND CHIMNEY MAY RESULT IN POOR PERFORMANCE.
- ALWAYS ALLOW THE STOVE TO COOL COMPLETELY BEFORE PERFORMING ANY MAINTENANCE.
- NOT TO BE INSTALLED IN A FACTORY BUILT FIREPLACE

CAUTION:

NEVER USE GASOLINE, GASOLINE TYPE LANTERN FUEL, KEROSENE, CHARCOAL LIGHTER FLUID, OR SIMILAR LIQUIDS TO START UP OR FRESHEN UP A FIRE IN THIS STOVE. KEEP ALL SUCH LIQUIDS WELL AWAY FROM THE STOVE WHILE IN USE.

NATIONAL
FIREPLACE
INSTITUTE



CERTIFIED
www.nficertified.org

We recommend that our woodburning hearth products be installed and serviced by professionals who are certified in the U.S. by the National Fireplace Institute® (NFI) as NFI Woodburning Specialists or who are certified in Canada by Wood Energy Technical Training (WETT).



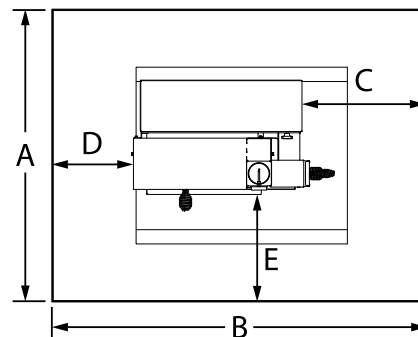
US Stove highly recommends your stove be installed by a qualified NFI (US) or WETT (Canada) technician. To find the nearest qualified installer, go to:

<https://nficertified.org>,

<https://www.wettinc.ca/>

FLOOR PROTECTION

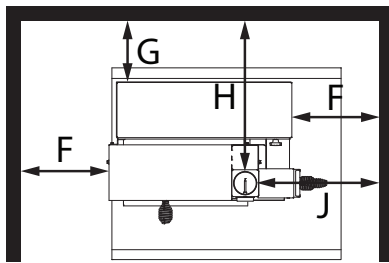
A non-flammable pad must be installed that meets manufactured floor protector conforms to UL 1618, that provides at minimum type 1 ember protection.



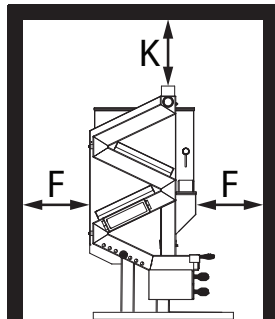
REQUIREMENTS OF 3/8" (10 mm) NON-COMBUSTIBLE MATERIAL

A	Length		31"	787 mm
B	Width	USA	48"	1.22m
		CAN	50"	1.3m
C	Right Side	USA	16"	407 mm
		CAN	18"	458 mm
D	Left Side		8"	203 mm
E	Front		8"	203 mm

CLEARANCE TO COMBUSTIBLES



Front



Front

F	Left Sidewall to Stove	8"	203 mm
G	Backwall to Stove	2"	51 mm
H	Backwall to Flue*	13-1/2"	343 mm
J	Sidewall to Flue*	14-1/2"	369 mm
K	Ceiling Height	36"	915 mm

OUTSIDE AIR SUPPLY

Adequate ventilation air is required to operate this heater. During operation, the heater draws air for combustion which can be assisted by the installation of outside combustion air inlets. However, certain weather conditions such as icing or use of kitchen exhaust fans may impact and reduce the effectiveness of vents. It is important to note that room air starvation will negatively impact the operation of the heater. Depending on your location and home construction, outside air may be necessary for optimal performance. Your stove is approved to be installed with an outside air intake (4FAK) which is necessary for a mobile home/transportable building. You can purchase the 4FAK through your heater dealer. Installation instructions are supplied with the air intake kit. Below is a list of possible indicators that a source of outside combustion air may be required.

- Your stove does not draw steadily, smoke rollout occurs, wood burns poorly, or back-drafts occur whether or not there is combustion present.

- Existing fuel-fired equipment in the house, such as fireplaces or other heating appliances, smell, do not operate properly, suffer smoke roll-out when opened, or back-drafts occur whether or not there is combustion present.
- Opening a window slightly on a calm (windless) day alleviates any of the above symptoms.
- The house is equipped with a well-sealed vapor barrier and tight fitting windows and/or has any powered devices that exhaust house air.
- There is excessive condensation on windows in the winter.
- A ventilation system is installed in the house.

ATTENTION:

DO NOT VENT UNDER ANY PORCH, DECK, AWNING, OR IN ANY SEMI ENCLOSED OR ROOFED AREA. DOING SO MAY RESULT IN UNPREDICTABLE AIRFLOW AT THE VENT CAP UNDER CERTAIN CONDITIONS AND CAN AFFECT THE PERFORMANCE OF YOUR STOVE, AS WELL AS, OTHER UNFORESEEABLE ISSUES.

WARNING:

DO NOT CONNECT TO OR USE IN CONJUNCTION WITH ANY AIR DISTRIBUTION DUCT WORK UNLESS SPECIFICALLY APPROVED FOR SUCH INSTALLATION.

Taller or longer chimney system's may need a barometric damper installed immediately off the top of the stove to be able to control the stove down in the 400° range as you can experience excessive draft and the stove will want to run hotter.

This stove is mobile home/transportable building approved. Mobile home/transportable buildings require outside air, use a vent with a rigid or flex pipe connected to the stove, and an outside screen vent cap. The stove must be secured to the floor, and grounded with a number 8 gauge wire. Mobile home/transportable building installation should be done in accordance with the Manufactured Home and Safety Standard (HUD), CFR 3280, Part 24. Only approved pellet vent can be used. The chimney installation must allow for removal in case of mobile home/transportable building transportation, especially outside connections. You may contact your local building authority or person having jurisdiction on height restrictions.

SECURING APPLIANCE TO THE FLOOR

Securely fasten this stove to the floor by screwing 1/4" lag bolts up through the floor into the leg leveling holes.

WARNING! DO NOT INSTALL IN SLEEPING ROOM.

- **CAUTION! THE STRUCTURAL INTEGRITY OF THE MOBILE HOME/TRANSPORTABLE BUILDING FLOOR, WALL, AND CEILING/ROOF MUST BE MAINTAINED. MAINTAIN AN EFFECTIVE VAPOR BARRIER BY SEALING WITH SILICONE WHERE THE CHIMNEY OR OTHER COMPONENTS PENETRATE TO THE EXTERIOR OF THE STRUCTURE.**
- **WHEN INSTALLED IN A MOBILE HOME/TRANSPORTABLE BUILDING, THE STOVE MUST BE GROUNDED DIRECTLY TO THE STEEL CHASSIS AND BOLTED TO THE FLOOR.**

In addition to the previously detailed installation requirements, mobile home/transportable building installations must meet the following requirements:

- All installations must meet local codes.
- Install option 1: Use 3"-4" listed L vent pellet pipe -or- Install option 2: Use 4", 5", or UL103/ULC S629 class A chimney system. Note: Do not mix use of chimney systems during installation. Use 1 system type throughout the installation.
- Use a minimum of 24 gauge, 4" or larger connector pipe with the UL103/ULC S629 class A chimney system (install option 2).
- This is a wood stove that burns wood pellet fuel. This means natural draft is running the stove. It must be treated as a wood stove with the pipe installation being as vertical as possible to obtain maximum upward draft.
- Horizontal runs and elbows are discouraged.
- Do not install a manual flue damper in the exhaust vent.

Install vent at clearances specified by the vent manufacturer. The chimney connector shall not pass through an attic or roof space, closet or similar concealed space, or floor, or ceiling. Where passage through a wall or partition of combustible construction is desired, the installation shall conform to CAN/CSA-B365, US-L vent installation code for solid fuel burning appliances and equipment. Exhaust vent required for residential installation or mobile home/transportable building installation is a listed type "PL" venting - 3" or 4" (76 mm or 102 mm) diameter. If installed into a tightly constructed

home, (Mobile home/transportable building) a fresh air opening of at least 2" (150 mm) diameter into the room where the unit is installed is required.

WARNING:

DO NOT COMPROMISE INSTRUCTIONS FOR INSTALLATION OR MAKE CHANGES TO MANUFACTURERS SPECIFICATIONS DURING THE INSTALLATION OF THIS PRODUCT.

Attach and secure the exhaust venting system to the product and to each adjoining section. All joints for connector pipe shall be required to be fastened with at least three screws. The area where the vent pipe penetrates to the exterior of the home must be sealed with silicone or other means to maintain the vapor barrier between the exterior and the interior of the home. Vent surfaces can get hot enough to cause burns if touched. Noncombustible shielding or guards may be required.

IMPORTANCE OF PROPER DRAFT

Draft is the force which moves air from the appliance up through the chimney. The amount of draft in your chimney depends on the length of the chimney, local geography, nearby obstructions and other factors. Too much draft may cause excessive temperatures in the appliance. Inadequate draft may cause back puffing into the room and 'plugging' of the chimney. Inadequate draft will cause the appliance to leak smoke into the room through appliance and chimney connector joints. An uncontrollable burn or excessive temperature indicates excessive draft. Take into account the chimney's location to ensure it is not too close to neighbors or in a valley which may cause unhealthy or nuisance conditions.

STOVE PIPE INSTALLATION

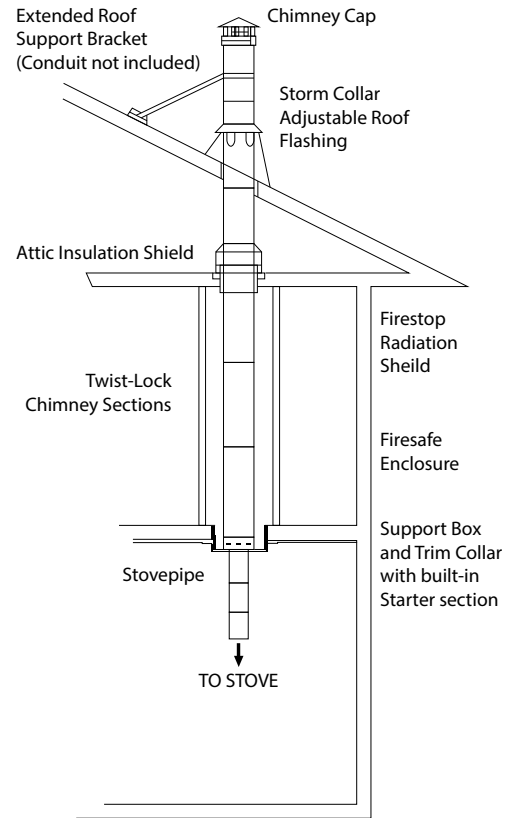
This stove has no need for electricity, it operates with a natural draft. The strength of the draft is determined by the height of its chimney, and that's why the chimney installation is the determining factor on how well this stove will perform. This stove will operate best with a straight chimney either 3" diameter or 4" diameter with 8ft to 12ft overall height, although it will operate with many variance's of chimney height and configurations, they will all bring varied results in burn time and fuel usage. A straight chimney is always the best configuration for this pellet stove. Do not make changes to the draft recommendations during the installation of the chimney or stove. This is a stove that burns pellet fuel, if an adequate draft is not accomplished this stove will not operate

properly and can potentially cause smoke to come from the stove. If the draft is compromised, it can drastically impede the performance of the stove, especially when using hardwood pellet fuel. Long horizontal chimney runs will impede the draft and cause poor performance of this stove.

Install option one: When 8ft to 15ft length of venting is used, utilize 3" diameter listed L vent pellet pipe. When having to use more than 15ft of venting, then utilize a 4" diameter listed L vent pellet pipe. In some installations and because of outside environmental conditions, a barometric damper may need to be installed immediately off the top of the stove. This barometric damper will prevent excessive draft which causes your stove to burn hotter than normal and burn excessive fuel. You can also adjust the bars closer together on the burn basket to lower the temperature if it starts running too hot. See the "Tuning Your Stove" section of this manual.

A 4" diameter listed L vent pellet pipe is recommended if you decide to go through the wall, and you need to terminate above the roof at least 24" using pellet vent. When installing into an existing chimney, then you must run 4" vent all the way up any existing chimney and terminating at the top.

Install option two: Use minimum 24 gauge single wall pipe in 4", 5" or 6" diameter when connecting to listed factory built chimney. Use a 3"-4", 3"-5" or 3"-6" increaser directly off the stove then connect to the required length of pipe to reach the factory built chimney. A slip joint can be used to allow connection to the factory built chimney or a plug can be inserted at the entry point of the factory built chimney. The connector pipe shall pass through the plug a minimum of 4" or can pass through the entire length of the chimney. When using this method install another properly sized plug at the top of the chimney and continue connector pipe out and above the plug at least 2". Install proper sized cap or in the event factory built cap is already in place with spark arrester, the connector pipe can be terminated under the existing factory built cap. When installing your stove, an all vertical stove pipe, straight up and through the roof is best. This will ensure a good upward draft that all stoves need to operate. The more twists and turns you have in stove piping the more it will restrict the draft. This is true for all stoves.

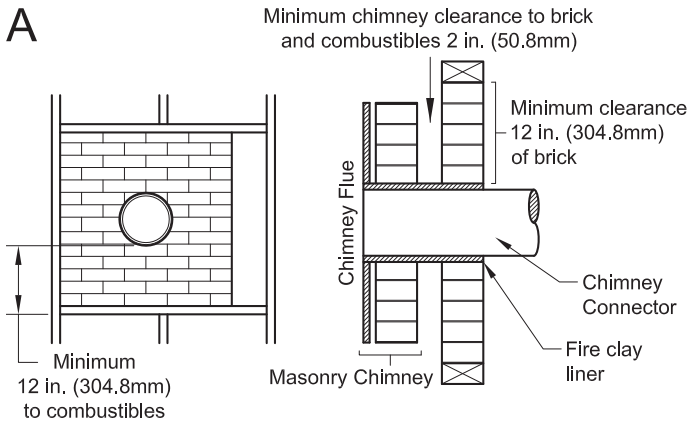


IMPORTANT:
IT IS IMPORTANT FOR THE STOVE PIPE TO EXTEND TO AT LEAST AS HIGH AS THE HIGHEST POINT OF YOUR ROOF.

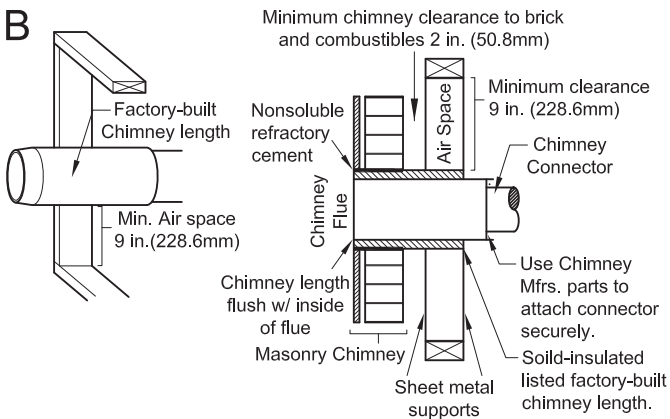
Any reduction in clearance to combustibles may only be done by means approved by a regulatory authority. Install vent at clearances specified by the vent manufacturer.

COMBUSTIBLE WALL CHIMNEY CONNECTOR PASS-THROUGHS

Method A. 12" (305 mm) Clearance to Combustible Wall Member: Using a minimum thickness 3.5" (89 mm) brick and a 5/8" (16 mm) minimum wall thickness clay liner, construct a wall pass-through. The clay liner must conform to ASTM C315 (Standard Specification for Clay Fire Linings) or its equivalent. Keep a minimum of 12" (305 mm) of brick masonry between the clay liner and wall combustibles. The clay liner shall run from the brick masonry outer surface to the inner surface of the chimney flue liner but not past the inner surface. Firmly grout or cement the clay liner in place to the chimney flue liner.

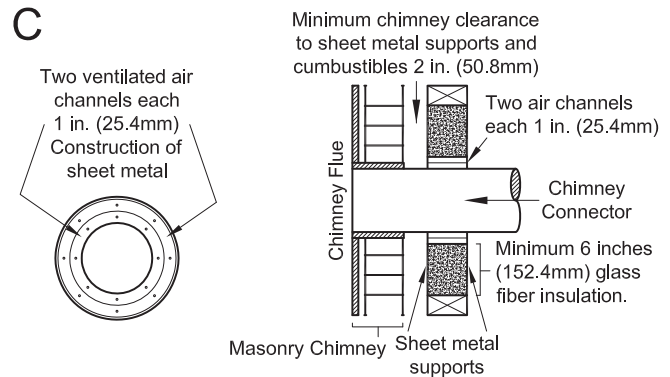


Method B. 9" (229 mm) Clearance to Combustible Wall Member: Using a 6" (153 mm) inside diameter, listed, factory-built Solid-Pak chimney section with insulation of 1" (26 mm) or more, build a wall pass-through with a minimum 9" (229 mm) air space between the outer wall of the chimney length and wall combustibles. Use sheet metal supports fastened securely to wall surfaces on all sides, to maintain the 9" (229 mm) air space. When fastening supports to chimney length, do not penetrate the chimney liner (the inside wall of the Solid-Pak chimney). The inner end of the Solid-Pak chimney section shall be flush with the inside of the code-approved masonry chimney with a flue liner flue, and sealed with a non-water soluble refractory cement. Use this cement to also seal to the brick masonry penetration.

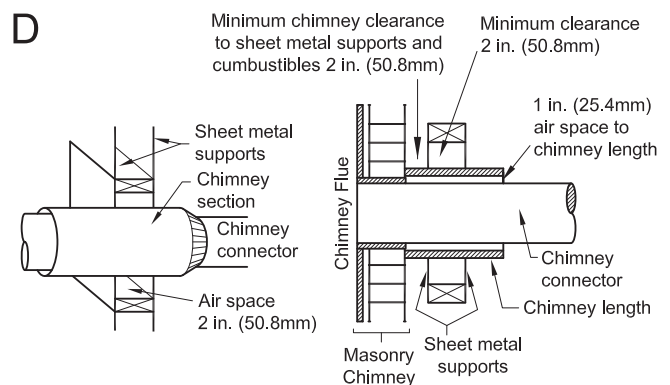


Method C. 6" (153 mm) Clearance to Combustible Wall Member: Starting with a minimum 24 gauge (.024" [.61 mm]) 6" (153 mm) metal chimney connector, and a minimum 24 gauge ventilated wall thimble which has two air channels of 1" (26 mm) each, construct a wall pass-through. There shall be a minimum 6" (153 mm) separation area containing fiberglass insulation, from the outer surface of the wall thimble to wall combustibles. Support the wall thimble, and cover its opening with a 24-gauge minimum sheet metal support. Maintain the 6" (153 mm) space. There should also be a support sized

to fit and hold the metal chimney connector. See that the supports are fastened securely to wall surfaces on all sides. Make sure fasteners used to secure the metal chimney connector do not penetrate chimney flue liner.



Method D. 2" (51 mm) Clearance to Combustible Wall Member: Start with a solid-pak listed factory built chimney section at least 12" (304 mm) long, with insulation of 1" (26 mm) or more, and an inside diameter of 8" (2 inches [51 mm] larger than the 6" [153 mm] chimney connector). Use this as a pass-through for a minimum 24-gauge single wall steel chimney connector. Keep solid-pak section concentric with and spaced 1" (26 mm) off the chimney connector by way of sheet metal support plates at both ends of chimney section. Cover opening with and support chimney section on both sides with 24 gauge minimum sheet metal supports. See that the supports are fastened securely to wall surfaces on all sides. Make sure fasteners used to secure chimney flue do not penetrate flue liner.



NOTES: Connectors to a code-approved masonry chimney with a flue liner, excepting method B, shall extend in one continuous section through the wall pass-through system and the chimney wall, to but not past the inner flue liner face. A chimney connector shall not pass through an attic or roof space, closet or similar concealed space, or a floor, or ceiling.

NEVER OPERATE THIS PRODUCT WHILE UNATTENDED

WARNING:

- **DO NOT USE CHEMICALS OR FLUIDS TO START THE FIRE - NEVER USE GASOLINE, GASOLINE-TYPE LANTERN FUEL, KEROSENE, CHARCOAL LIGHTER FLUID, OR SIMILAR LIQUIDS TO START OR “FRESHEN UP” A FIRE IN THIS STOVE. KEEP ALL SUCH LIQUIDS WELL AWAY FROM THE STOVE WHILE IT IS IN USE.**
- **HOT WHILE IN OPERATION. KEEP CHILDREN, CLOTHING AND FURNITURE AWAY. CONTACT MAY CAUSE SKIN BURNS.**

This heater is designed to burn only PFI Premium grade pellets. DO NOT BURN:

1. Garbage;
2. Lawn clippings or yard waste;
3. Materials containing rubber, including tires;
4. Materials containing plastic;
5. Waste petroleum products, paints or paint thinners, or asphalt products;
6. Materials containing asbestos;
7. Construction or demolition debris;
8. Railroad ties or pressure-treated wood;
9. Manure or animal remains;
10. Salt water driftwood or other previously salt water saturated materials;
11. Unseasoned wood; or
12. Paper products, cardboard, plywood, or particleboard. The prohibition against burning these materials does not prohibit the use of fire starters made from paper, cardboard, saw dust, wax and similar substances for the purpose of starting a fire in an affected wood heater.

Burning these materials may result in release of toxic fumes or render the heater ineffective and cause smoke.

PROPER FUEL

ATTENTION:

THIS APPLIANCE IS DESIGNED FOR THE USE OF PELLETIZED FUEL THAT MEET OR EXCEED THE STANDARD SET BY THE PELLET FUEL INSTITUTE (PFI).

Your pellet stove is designed to burn premium hardwood pellets that comply with the Pellet Fuels Institute (PFI) standard (minimum of 40 lbs density per cubic ft, 1/4” to 5/16” diameter, length no greater than 1.5”, not less than 8,200 BTU/lb, moisture under 8% by weight, ash under 1% by weight, and salt under 300 parts per million). Pellets that are soft, contain excessive amounts of loose sawdust, have been, or are wet, will result in reduced performance. Store your pellets in a dry place. DO NOT store the fuel within the installation clearances of the unit or within the space required for charging and ash removal. Doing so could result in a house fire. Do not over fire or use volatile fuels or combustibles, doing so may cause a personal and property damage hazards.

THIS STOVE IS APPROVED FOR BURNING PELLETIZED WOOD FUEL ONLY ! Factory-approved pellets are those 1/4” or 5/16” in diameter and not over 1” long. Burning wood in forms other than pellets is not permitted. It will violate the building codes for which the stove has been approved and will void all warranties. The design incorporates automatic feed of the pellet fuel into the fire at a carefully prescribed rate. Any additional fuel introduced by hand will not increase heat output but may seriously impair the stoves performance by generating considerable smoke. Do not burn wet pellets. The stove’s performance depends heavily on the quality of your pellet fuel. Avoid pellet brands that display these characteristics:

- Excess Fines – “Fines” is a term describing crushed pellets or loose material that looks like sawdust or sand. Pellets can be screened before being placed in hopper to remove most fines.
- Binders – Some pellets are produced with materials to hold the together, or “bind” them.
- High ash content – Poor quality pellets will often create smoke and dirty glass. They will create a need for more frequent maintenance. You will have to empty the burn pot plus vacuum the entire system more often.

CAUTION:

- **KEEP FOREIGN OBJECTS OUT OF THE HOPPER.**
- **DO NOT BLOCK THE FRESH AIR INTAKE PORTS – THIS WILL SERIOUSLY AFFECT THE PERFORMANCE OF THE STOVE.**

WARNING:

ATTEMPTS TO ACHIEVE HEAT OUTPUT RATES THAT EXCEED HEATER DESIGN SPECIFICATIONS CAN RESULT IN PERMANENT DAMAGE TO THE HEATER.

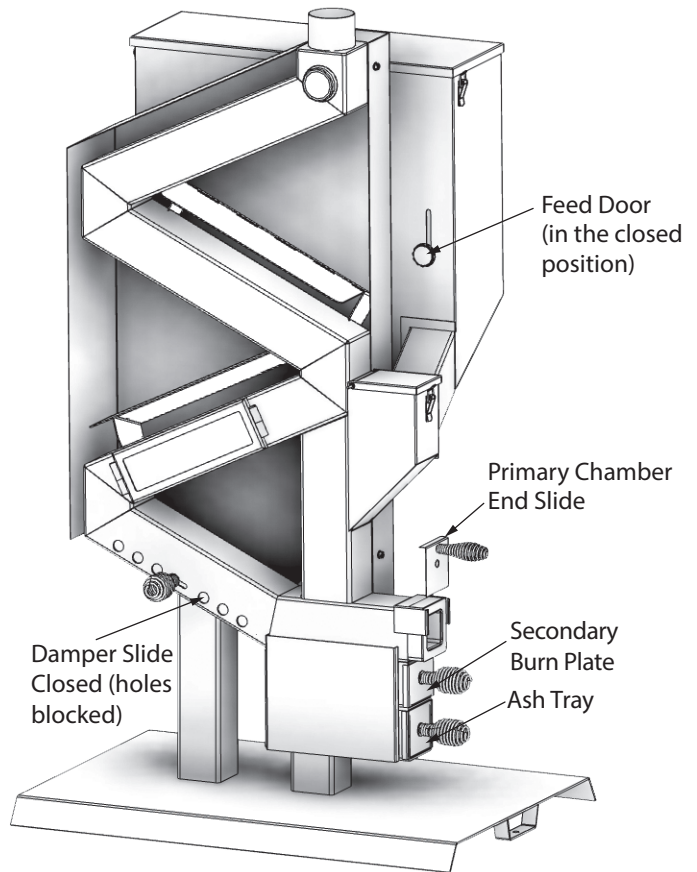
LIGHTING WITH A HANDHELD PROPANE TORCH

You will need a handheld propane torch to ignite your stove. We recommend a high quality torch with a squeeze trigger ignition system.

1. Make sure the pellet feed door is in the closed position, this is the external knob located on the front of the hopper. All the way down indicates closed.
2. Remove hopper lid and add desired amount of pellets.
3. Make sure front damper slide is in the closed position, holes should be blocked.
4. Inspect primary burn chamber, secondary burn plate and ashtray for soot build up and cleanliness. Perform any maintenance required.
5. Reinstall primary burn chamber, secondary burn plate and ashtray.
6. Remove the primary chamber end slide (the top handle).
7. Light the torch and insert into primary burn chamber. Let the torch run for approximately one minute. This will start the necessary draft and speed the ignition process.
8. Slide the feed to the all the way open position (the knob should now be at the top of the slot).
9. Let the torch run till the stove reaches 200 degrees (this should only take approximately 5 minutes depending on the type of fuel).
10. Remove, turn off and store your torch.
11. Keep the primary slide cover off until the stove reaches approximately 400°F.

WARNING:

AFTER STARTING THE STOVE THE PRIMARY END SLIDE MUST BE ON TO ENSURE PROPER AIR FLOW THROUGH THE SECONDARY BURN CHAMBER AND PROPER USE OF OUTSIDE AIR.



LIGHTING WITH A HEAT GUN

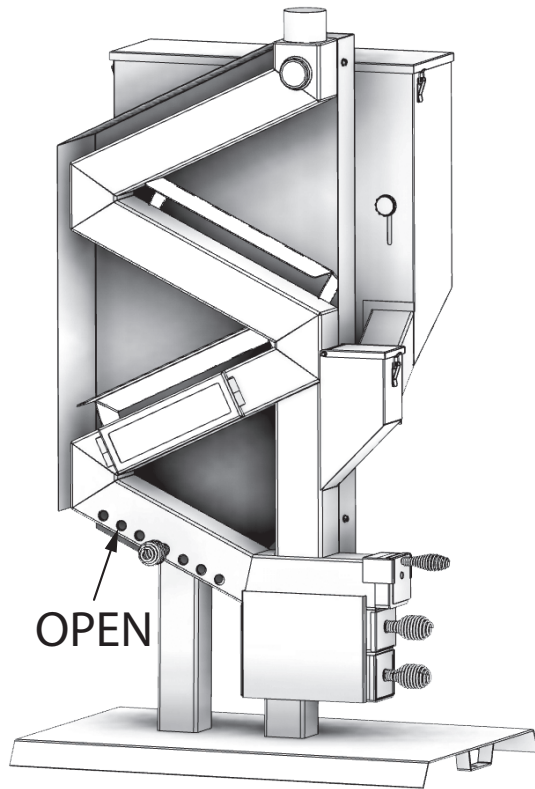
You will need a 120 volt industrial heat gun available at most hardware stores.

1. Follow steps 1-6 of the lighting with a handheld propane torch instruction.
2. Plug in and turn on heat gun to the high setting then insert heat gun.
3. Let heat gun run for 30 seconds.
4. Open the pellet feed door.
5. Ignition of the pellets will take approximately one minute. You will hear a “whoosh” when the pellets ignite.

6. Turn heat gun down to the low setting and continue to run until the stove reaches 400 degrees, this will happen rapidly after ignition of the pellets.
7. Remove, turn off and store your heat gun.
8. Reinstall the primary chamber end slide.



CONTROLLING THE TEMPERATURE



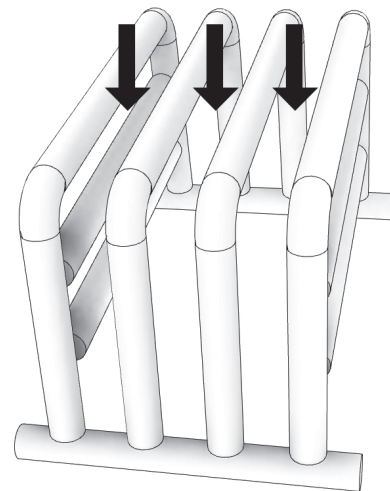
Because the damper slide is located behind the combustion chamber, adjusting the temperature is the opposite of a traditional wood stove. To adjust the damper slide: turn handle counter clockwise one half turn then slide to the desired position and retighten. The open position will reduce the draft and slow the stove down much like a crack in a drinking straw. Closing the damper will increase higher temperatures and heat output.

CAUTION:

DO NOT OVER LOOSEN THE DAMPER SLIDE HANDLE! THIS MAY CAUSE THE HANDLE TO SEPARATE FROM THE DAMPER PLATE.

TUNING YOUR STOVE

After your stove is installed and ready for use there will be a period of time where some adjustments may be necessary to fit your specific needs from the stove. We like to refer to this as “getting to know your stove”. Each stove demonstrates its own unique personality based upon; type of pellet fuel, elevation, square footage you are heating, barometric pressures, common wind currents, natural drafts within your home to name a few. Specifically this means learning how often you will need to dump ashes, clear the secondary burn plate, experiment with different brand pellets and determining what position the damper slide needs to be in to get your specific desired results. After you have become familiar with the stove it is possible that you may need to adjust the primary burn basket. The primary burn basket that comes with every stove is sent out at a preset measurement. This measurement fits most applications but sometimes a user will need to make an adjustment. This is simple to perform; we find the best tools for widening the basket are two chisels. For narrowing the spacing use a pair of pliers. The three black arrows indicate the three spaces where pellets drop through the basket and on to the secondary burn plate. The minimum spacing should not be adjusted to less than 0.290, or on a tape measure the closest mark would be just under the 19/64” mark.



The maximum adjustment should not exceed 0.320, or just over the 5/16” mark on a tape measure. Only make small adjustments at a time as you will discover a small

adjustment can result in a drastic temperature change. Narrowing will slow the pellet feed rate resulting in lower running temperature. Widening will result in an increased pellet feed rate resulting in a higher running temperature.

HELPFUL HINTS

- Starting the draft by letting the handheld torch run for one minute before introducing pellets is highly recommended. When the stove is cold and it is colder outside than it is inside, there is a downward draft in the chimney. Running the torch for one minute first will overcome this downward draft that is present.
- If smoke becomes present during ignition, reposition the torch head so the flame is burning across the bottom of the burn basket not directly on it.
- The secondary burn plate can be slid out up to one inch to provide maximum airflow during operation.
- While operating the stove on low (damper holes open) the temperature gauge should never fall below 300°. Two things happen when the stove falls below 300°. 1) The draft will slow down enough to impede the performance of the stove. 2) Creosote will build up causing poor performance and increase the risk of a flue fire.
- If it was necessary to adjust the primary burn basket wider, it may be necessary to clear the secondary burn plate more often during operation.
- A barometric damper will help solve problems when the stove is experiencing constant high heat output. Barometric gives the user the ability to regulate draft through the chimney until desired temperatures are established on the appliance it has been installed on.
- A VacuStack chimney cap is recommended when experiencing draft issues or fluctuating temperatures or low heat output. VacuStack caps are designed to increase draft on any chimney by causing a vacuum effect through the flue below when the air moves past the cap.
- **CAUTION:** In high wind areas, excessive draft can be experienced resulting in extended high-temperature output on the stove. We recommend a barometric damper be installed when this occurs which gives you the ability to control the excessive draft created by the vacustack and persistent wind currents above.
- Remedies for those that experience a temperature drop after several hours of operation: First, dump the ashtray and properly dispose of ashes as described in this manual. Second, clear the secondary burn plate

as described in this manual. If this does not bring the temperature back up then close the pellet stop plate for approximately 35 minutes running the stove on high. Reopen the pellet stop plate. This clears the vertical feed tube of any pre-heated pellets and reintroduces fresh pellet fuel.

REFUELLING

CAUTION:

- **THE HOPPER AND STOVE WILL BE HOT DURING OPERATION; THEREFORE, YOU SHOULD ALWAYS USE SOME TYPE OF HAND PROTECTION WHEN REFUELING YOUR STOVE.**
- **DO NOT TOUCH THE HOT SURFACES OF THE STOVE. EDUCATE ALL CHILDREN ON THE DANGERS OF A HIGH-TEMPERATURE STOVE. YOUNG CHILDREN SHOULD BE SUPERVISED WHEN THEY ARE IN THE SAME ROOM AS THE STOVE.**
- **WE RECOMMEND THAT YOU NOT LET THE HOPPER DROP BELOW 1/4 FULL.**

WARNING:

- **KEEP HOPPER LID CLOSED AT ALL TIMES EXCEPT WHEN REFILLING.**
- **DO NOT OVERFILL HOPPER.**

TAMPER WARNING

This wood heater has a manufacturer-set minimum burn rate that must not be altered. It is against federal regulations to alter this setting or otherwise operate this wood heater in a manner inconsistent with operating instructions in this manual.

SHUTTING DOWN THE STOVE

When you are ready to shut your stove down simply close the pellet feed door (move to the down position). After you have closed the pellet feed door the stove will continue to run for approximately 45 minutes. When shutting down the stove make sure to close the draft slide (holes blocked).

NEVER OPERATE THIS PRODUCT WHILE UNATTENDED

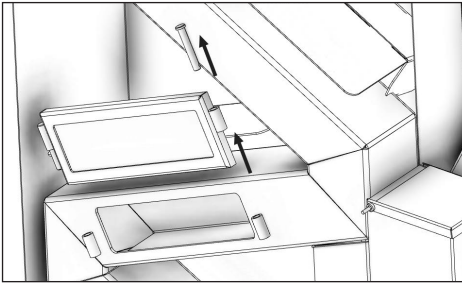
CAUTION:

- **FAILURE TO CLEAN AND MAINTAIN THIS UNIT AS INDICATED CAN RESULT IN POOR PERFORMANCE, SAFETY HAZARDS, FIRE, AND EVEN DEATH.**
- **NEVER PERFORM ANY INSPECTIONS, CLEANING, OR MAINTENANCE ON A HOT STOVE.**
- **DO NOT OPERATE STOVE WITH BROKEN GLASS, LEAKAGE OF FLUE GAS MAY RESULT.**

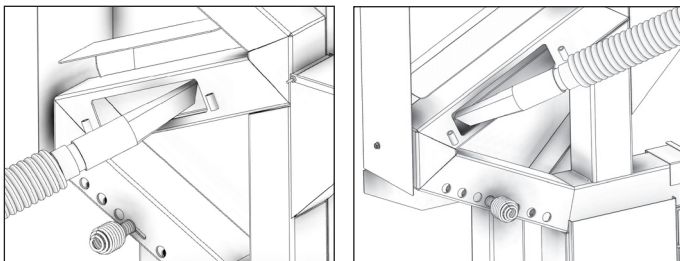
CLEANING

Learn your stove! This stove has no moving parts and requires no electricity; it does however require your attention much like a wood stove, especially when burning a hardwood pellet. It is very important to thoroughly clean the fly ash out of this unit weekly. The window will need to be removed to properly clean the fly ash out of the unit. Steps for removing the fly ash are as listed:

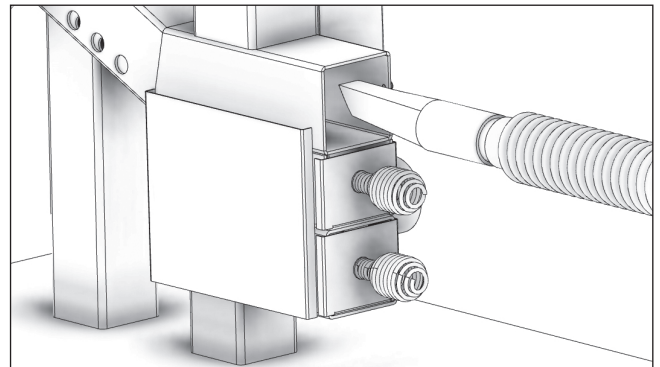
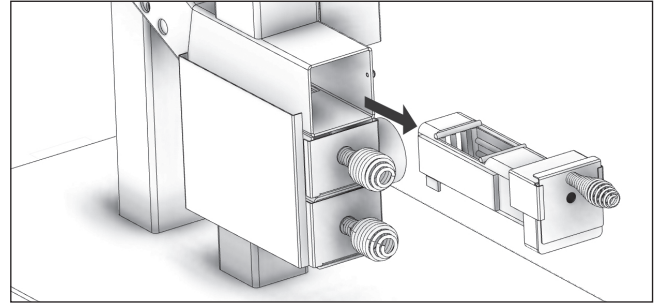
1. Allow the unit to cool completely. Remove the 5/16" diameter pin on the right side of the window as shown
2. Lift up on the window frame to disengage the left side of the window as shown. Note: When removing the window be very careful to hold both the glass and the frame.



3. Vacuum the cooled ash out of the unit. Be sure to vacuum both upstream and downstream of the window opening. Note: All vacuuming must be performed using an ash vac.



4. Remove the burn pot and vacuum out the burn pot chamber.



5. When finished cleaning the ashes reinstall the window and burn pot.
6. **CLEARING YOUR SECONDARY BURN PLATE IS A MUST WHILE BURNING HARDWOOD PELLETS.** First, remove the ashtray and dispose of any ashes as previously described, and reinstall ashtray. Second, remove secondary burn plate. This will allow any built up ashes and hot coals to fall into the ashtray. Inspect the secondary burn plate, any layers of ash should be removed and discarded. Lightly tap the secondary burn plate on the edge of your disposal container to clear any clogged hole(s) in the burn plate. This will resume proper air flow through the burn plate; reinstall the secondary burn plate.

Considering the numerous different fuels and installations, there is no one formula for how often this needs to be performed. Letting the secondary burn plate build up with ashes can choke the stove causing a decrease in temperature and increase the possibility of smouldering fuel and smoke. Until experience has helped you establish a regular routine it is not recommended to leave the stove unattended for long periods of time. **ALWAYS EMPTY THE ASHTRAY AND CLEAR THE SECONDARY BURN PLATE PRIOR TO LEAVING THE STOVE UNATTENDED!**

CREOSOTE FORMATION, INSPECTION, & REMOVAL

CAUTION:

THE EXHAUST SYSTEM SHOULD BE CHECKED MONTHLY DURING THE BURNING SEASON FOR ANY BUILD-UP OF SOOT OR CREOSOTE.

When any wood is burned slowly, it produces tar and other organic vapors, which combine with expelled moisture to form creosote. The creosote vapors condense in the relatively cool chimney flue or a newly started fire or from a slow-burning fire. As a result, creosote residue accumulates on the flue lining. When ignited, this creosote makes an extremely hot fire, which may damage the chimney or even destroy the house. Despite their high efficiency, pellet stoves can accumulate creosote under certain conditions. The chimney connector and chimney should be inspected by a qualified person annually or per ton of pellets to determine if a creosote or fly ash build-up has occurred. If creosote has accumulated, it should be removed to reduce the risk of a chimney fire. Inspect the system at the stove connection and at the chimney top. Cooler surfaces tend to build creosote deposits quicker, so it is important to check the chimney from the top as well as from the bottom. The creosote should be removed with a brush specifically designed for the type of chimney in use. A qualified chimney sweep can perform this service. It is also recommended that before each heating season the entire system be professionally inspected, cleaned and, if necessary, repaired. To clean the chimney, disconnect the vent from the stove.

FLY ASH

This accumulates in the horizontal portion of an exhaust run. Though non-combustible, it may impede the normal exhaust flow. It should therefore be periodically removed.

ASH REMOVAL & DISPOSAL

CAUTION:

ALLOW THE STOVE TO COOL BEFORE PERFORMING ANY MAINTENANCE OR CLEANING. ASHES MUST BE DISPOSED OF IN A METAL CONTAINER WITH A TIGHT FITTING LID. THE CLOSED CONTAINER OF ASHES SHOULD BE PLACED ON A NON-COMBUSTIBLE SURFACE OR ON THE GROUND, WELL AWAY FROM ALL COMBUSTIBLE MATERIALS, PENDING FINAL DISPOSAL.

Ashes should be placed in a steel container with a tight fitting lid. The closed container of ashes should be placed on a noncombustible floor or on the ground, well away from all combustible materials, pending final disposal. If the ashes are disposed of by burial in soil or otherwise locally dispersed, they should be retained in the closed container until all cinders have been thoroughly cooled.

SMOKE AND CO MONITORS

Burning wood naturally produces smoke and carbon monoxide(CO) emissions. CO is a poisonous gas when exposed to elevated concentrations for extended periods of time. While the modern combustion systems in heaters drastically reduce the amount of CO emitted out the chimney, exposure to the gases in closed or confined areas can be dangerous. Make sure you stove gaskets and chimney joints are in good working order and sealing properly to ensure unintended exposure. It is recommended that you use both smoke and CO monitors in areas having the potential to generate CO. A working smoke detector must be installed in the same room as this product. Install a smoke detector on each floor of your home; in case of accidental fire from any cause it can provide time for escape. The smoke detector must be installed at least 15 feet (4,57 M) from the appliance in order to prevent undue triggering of the detector when reloading.

CHECK & CLEAN THE HOPPER

Check the hopper periodically to determine if there is any sawdust (fines) that is building up in the feed system or pellets that are sticking to the hopper surface. Clean as needed.

DOOR AND GLASS GASKETS

Inspect the door and glass window gaskets periodically. The door may need to be removed to have frayed, broken, or compacted gaskets replaced by your authorized dealer. This unit's door uses a 0.125 x 1" flat gasket. Inspect and clean the secondary burn plate, primary burn basket, primary burn tube and ashtray prior to igniting the stove. Do not operate your stove with the viewing door open, safety concern may arise. The feed door must be closed and sealed during operation.

CAUTION:

NEVER OPERATE THE STOVE WITHOUT THE GASKET OR WITH A DAMAGED OR BROKEN GASKET. OPERATING WITHOUT A GASKET OR DAMAGED GASKET WILL RESULT IN DAMAGE TO YOUR STOVE AND CAN RESULT IN A HOUSE FIRE.

PAINTED SURFACES

It is highly recommended that the initial burn of your new stove be done outdoors. The paint used to coat your stove a high temperature paint that is dry upon arrival but has a final cure that happens during the initial burn. This cure will last 20-30 minutes and will produce fumes and some smoke.

GLASS

We recommend using a high quality glass cleaner. Should a buildup of creosote or carbon accumulate, you may wish to use 000 steel wool and water to clean the glass. DO NOT use abrasive cleaners. DO NOT perform the cleaning while the glass is HOT. Do not attempt to operate the unit with broken glass. Replacement glass may be purchased from your U.S. Stove dealer. If glass is broken, follow these removal procedures:

1. Remove the hinge pin located on the right side of the window frame by pushing the pin-up and out.
2. The window frame will now swing open. Use caution as glass will now be loose. Perform necessary cleaning and reinstall. NOTE: There are cleaning products available at your local stove dealer specifically for cleaning stove glass.

DO NOT USE SUBSTITUTE MATERIALS WHEN REPLACING GLASS.

DO NOT abuse the door glass by striking, slamming, or similar trauma. Do not operate the stove with the glass removed, cracked, or broken.

FALL START UP

Prior to starting the first fire of the heating season, check the outside area around the exhaust and air intake systems for obstructions. Clean and remove any fly ash

from the exhaust venting system. Clean any screens on the exhaust system and on the outside air intake pipe. This is also a good time to give the entire stove a good cleaning throughout.

SPRING SHUTDOWN

After the last burn in the spring, remove any remaining pellets from the hopper. Scoop out the pellets. Vacuum out the hopper. Thoroughly clean the burn pot, and firebox. It may be desirable to spray the inside of the cleaned hopper with an aerosol silicone spray if your stove is in a high humidity area. The exhaust system should be thoroughly cleaned.

ATTENTION:

THIS WOOD HEATER NEEDS PERIODIC INSPECTION AND REPAIR FOR PROPER OPERATION. IT IS AGAINST FEDERAL REGULATIONS TO OPERATE THIS WOOD HEATER IN A MANNER INCONSISTENT WITH OPERATING INSTRUCTIONS IN THIS MANUAL.

MAINTENANCE SCHEDULE

Establish a routine for the fuel, the burner, and the firing technique. Check daily for creosote build-up until experience shows how often cleaning is needed to be safe. Be aware, hotter the fire the less creosote is deposited so weekly cleaning may be necessary during colder weather; however, monthly cleaning may be enough during warmer months. NOTE: Failure to keep a clean burn chamber or secondary burn plate can result in poor stove performance. NOTE: Letting ash build up into the primary burn basket can cause choking of the stove and increase the risk of smoldering fuel and or smoke spillage.

For Parts Assistance Call: 800-750-2723 Ext 5051 or Email: parts@usstove.com

The information in this owner’s manual is specific to your unit. When ordering replacement parts the information in this manual will help to ensure the correct items are ordered. Before contacting customer service write down the model number and the serial number of this unit. That information can be found on the certification label attached to the back of the unit. Other information that may be needed would be the part number and part description of the item(s) in question. Part numbers and descriptions can be found in the “Repair Parts” section of this manual. Once this information has been gathered you can contact customer service by phone 1-800-750-2723 Ext 5051 or Email parts@usstove.com.

Model Information	
Model Number	
Serial Number	

INSTRUCTIONS SPECIFIC FOR CANADIAN INSTALLATIONS

Do not obstruct the space under the heater and do not obstruct the combustion air openings.

Refer to the chimney manufacturer’s instructions for disassembling the chimney/venting for transportation of a transportable building.

The parts or materials to be employed for ember protectors and the minimum areas to be covered and their relation to the space heater, as well as the notice: “In Canada, to comply with CSA B365, Installation Code for Solid-Fuel-Burning Appliances and Equipment, any combustible covering beneath the appliance and/or within the area extending horizontally at least 450 mm (18 in) beyond the appliance on any side equipped with a door, and at least 200 mm (8 in) beyond the appliance on other sides, shall be protected by a continuous, durable, non-combustible pad that will provide ember protection. The 450 mm (18 in) ember protection required on any side with a door shall extend for the full width of the appliance plus the 200 mm (8 in) required on each side of the appliance without a door. Where an appliance is installed less than 200 mm (8 in) from a wall, the ember pad need only extend to the base of the wall. An ember pad shall not be placed on top of a carpet unless the pad is structurally supported to prevent displacement and distortion.

If this appliance is installed in a transportable building, removal of the chimney/venting is required for transportation of the building.

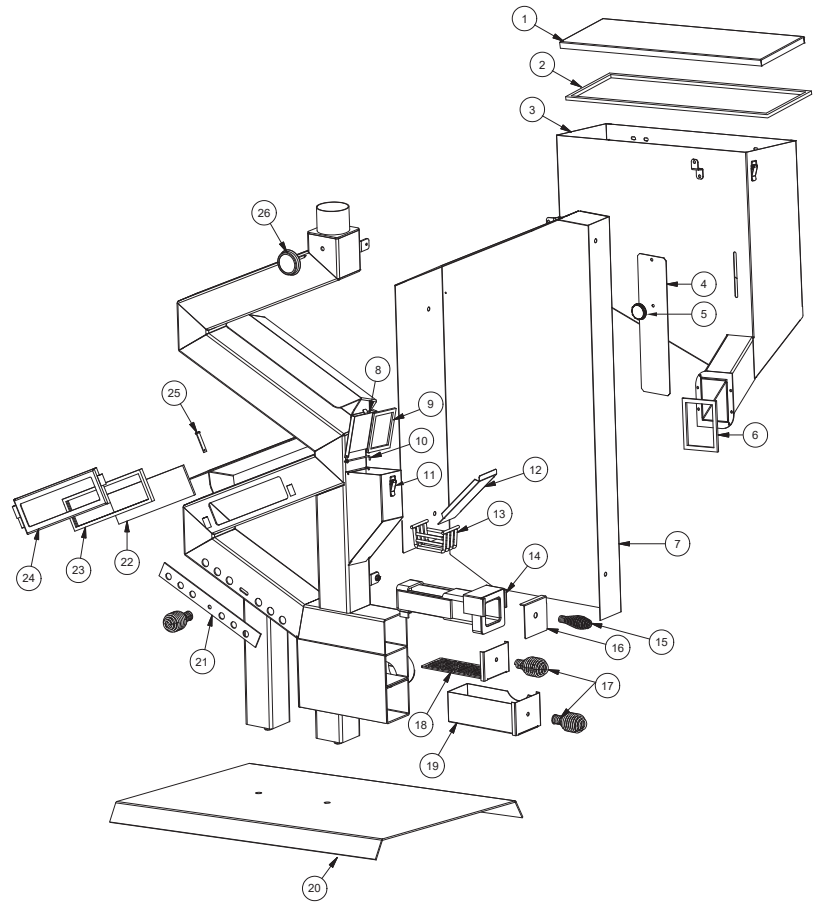
DO NOT INSTALL IN AN ALCOVE

DO NOT INSTALL IN ANY FIREPLACE

REPAIR PARTS



Key	Part #	Description	Qty
1	610473	Hinged Top Assembly	1
2	88174	Flat Gasket	4.8 ft
3	610329	Hopper	1
4	610202	Pellet Stop	1
5	83936	1/4-20 Plastic Knob	1
6	88174	Flat Gasket	16"
7	610442	Heat Shield	1
8	27774	Feed Lid	1
9	88174	Flat Gasket	16"
10	27775	Hinge Rod	1
11	892222	Latch, Hopper Lid	3
12	27428	Pellet Slide	1
13	610192	Burn Chamber	1
14	610200	Firebox	1
15	610208	Weldment, Air Cover Handle	1
16	27445	Air Cover	1
17	610189	Handle Weldment	3
18	610210	Burn Plate Assembly	1
19	610187	Ash Pan	1
20	610474	Pedestal	1
21	610204	Draft Slide	1
22	892553	GW1949 Glass	1
23	88087	Window Gasket	2 ft
24	610205	Window Frame	1
25	83671	5/16 Dia Pin	1
26	80653	Thermometer	1



To order parts:

Call 1-800-750-2723 Ext 5051 or

Email to: parts@usstove.com

IN ORDER TO MAINTAIN WARRANTY, COMPONENTS MUST BE REPLACED USING ORIGINAL USSC PARTS PURCHASED THROUGH YOUR DEALER OR DIRECTLY FROM USSC. USE OF THIRD PARTY COMPONENTS WILL VOID THE WARRANTY.



SERVICE RECORD

It is recommended that your heating system is serviced regularly and that the appropriate Service Interval Record is completed.

SERVICE PROVIDER

Before completing the appropriate Service Record below, please ensure you have carried out the service as described in the manufacturer's instructions. Always use the manufacturer's specified spare part when replacement is necessary.

Service 01 Date: _____

Engineer Name: _____

License No.: _____

Company: _____

Telephone No.: _____

Stove Inspected: Chimney Swept:

Items Replaced: _____

Service 02 Date: _____

Engineer Name: _____

License No.: _____

Company: _____

Telephone No.: _____

Stove Inspected: Chimney Swept:

Items Replaced: _____

Service 03 Date: _____

Engineer Name: _____

License No.: _____

Company: _____

Telephone No.: _____

Stove Inspected: Chimney Swept:

Items Replaced: _____

Service 04 Date: _____

Engineer Name: _____

License No.: _____

Company: _____

Telephone No.: _____

Stove Inspected: Chimney Swept:

Items Replaced: _____

Service 05 Date: _____

Engineer Name: _____

License No.: _____

Company: _____

Telephone No.: _____

Stove Inspected: Chimney Swept:

Items Replaced: _____

Service 06 Date: _____

Engineer Name: _____

License No.: _____

Company: _____

Telephone No.: _____

Stove Inspected: Chimney Swept:

Items Replaced: _____

Service 07 Date: _____

Engineer Name: _____

License No.: _____

Company: _____

Telephone No.: _____

Stove Inspected: Chimney Swept:

Items Replaced: _____

Service 08 Date: _____

Engineer Name: _____

License No.: _____

Company: _____

Telephone No.: _____

Stove Inspected: Chimney Swept:

Items Replaced: _____

Il est recommandé que votre système de chauffage est desservi régulièrement et que le Service Intervall enregistré approprié est terminée.

FOURNISSEUR DE SERVICES

Avant de terminer l'enregistrement de service approprié ci-dessous, s'il vous plaît vous assurer que vous avez effectué le service tel que décrit dans le les instructions du fabricant. Toujours utiliser pièce de rechange indiquée par le fabricant lors de remplacement est nécessaire.

Service de 01

Date: _____

Nom de l'ingénieur: _____

N° de licence: _____

Compagnie: _____

N° de téléphone: _____

Articles Remplacé: _____

Poêle Inspecté: Cheminée balayée:

Service de 02

Date: _____

Nom de l'ingénieur: _____

N° de licence: _____

Compagnie: _____

N° de téléphone: _____

Articles Remplacé: _____

Poêle Inspecté: Cheminée balayée:

Service de 03

Date: _____

Nom de l'ingénieur: _____

N° de licence: _____

Compagnie: _____

N° de téléphone: _____

Articles Remplacé: _____

Poêle Inspecté: Cheminée balayée:

Service de 04

Date: _____

Nom de l'ingénieur: _____

N° de licence: _____

Compagnie: _____

N° de téléphone: _____

Articles Remplacé: _____

Poêle Inspecté: Cheminée balayée:

Service de 05

Date: _____

Nom de l'ingénieur: _____

N° de licence: _____

Compagnie: _____

N° de téléphone: _____

Articles Remplacé: _____

Poêle Inspecté: Cheminée balayée:

Service de 06

Date: _____

Nom de l'ingénieur: _____

N° de licence: _____

Compagnie: _____

N° de téléphone: _____

Articles Remplacé: _____

Poêle Inspecté: Cheminée balayée:

Service de 07

Date: _____

Nom de l'ingénieur: _____

N° de licence: _____

Compagnie: _____

N° de téléphone: _____

Articles Remplacé: _____

Poêle Inspecté: Cheminée balayée:

Service de 08

Date: _____

Nom de l'ingénieur: _____

N° de licence: _____

Compagnie: _____

N° de téléphone: _____

Articles Remplacé: _____

Poêle Inspecté: Cheminée balayée:

SCHEMA DES PIÈCES



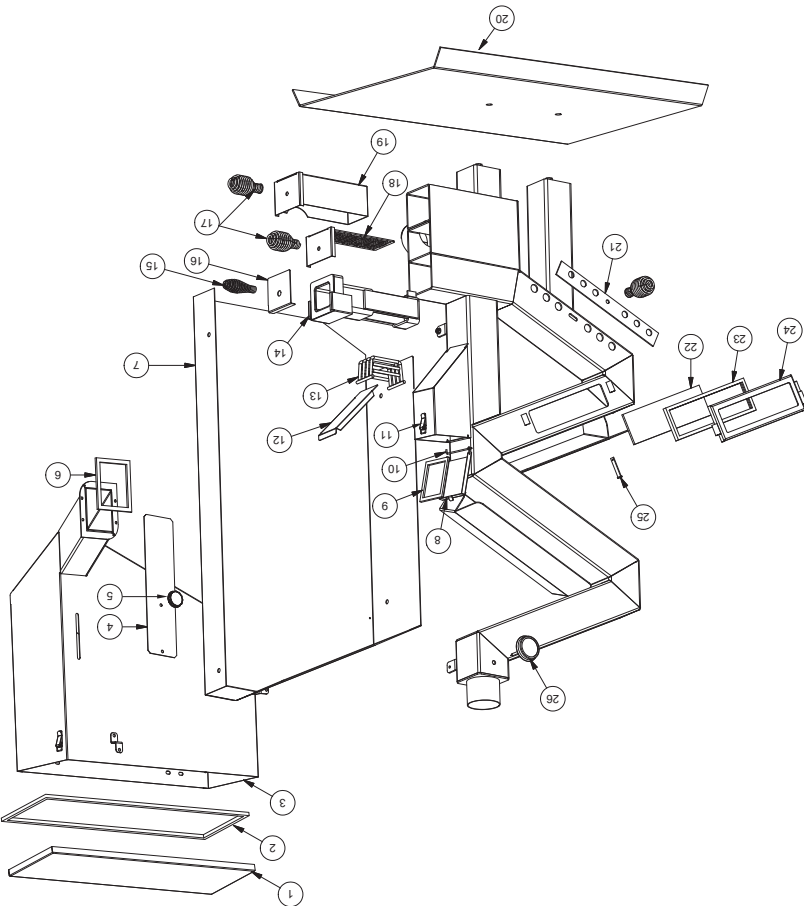
Ciè	Partie #	Description
1	610473	Ensemble Supérieur
2	88174	Joint Plat 4,8 pi
3	610329	Trémie
4	610202	Arrêt Des Granules
5	83936	Bouton En Plastique 1/4-20
6	88174	Joint Plat 16 po
7	610442	Écran Thermique
8	27774	Couvercle De L'alimentation
9	88174	Joint Plat 16 po
10	27775	Tige De La Charnière
11	892222	Loquet, Couvre De La Trémie 3
12	27428	Glissière À Granules
13	610192	Chambre À Combustion
14	610200	Boîte À Combustion
15	610208	Assemblée Soudé, Poignée Du Couvre À Air
16	27445	Couvre À Air
17	610189	Assemblée Soudé De La Poignée 3
18	610210	Assemblée De La Plaque De Combustion
19	610187	Tiroir À Cendres
20	610474	Piédestal
21	610204	Glissière Du Tirage D'air
22	892553	Vitre GW1949
23	88087	Joint de fenêtre 2 pi
24	610205	Cadre De La Fenêtre
25	83671	Goupille De 5/16 De Diamètre
26	80653	Thermomètre

Pour commander des pièces:

Appellez le 1-800-750-2723 Ext 5051 ou

Envoyez un courriel à: parts@usstove.com

AFIN DE MAINTENIR LA GARANTIE, LES COMPOSANTS DOIVENT ÊTRE REMPLACÉS À L'AIDE DES PIÈCES ORIGINALES DU FABRICANT ACHETÉES PAR L'INTERMÉDIAIRE DE VOTRE REVENDEUR OU DIRECTEMENT AUPRÈS DU FABRICANT DE L'APPAREIL. L'UTILISATION DE COMPOSANTS TIERS ANNULERA LA GARANTIE.



NE PAS INSTALLER DANS AUCUN Foyer

NE PAS INSTALLER DANS UNE ALCOVE

bâtiment.

Si cet appareil est installé dans un bâtiment transportable, le retrait de la cheminée/ventilation est requis pour le transport du

que le tampon ne soit structurellement soutenu pour empêcher le déplacement et la distorsion.

Le tampon de braises ne doit s'étendre que jusqu'à la base du mur. Un tampon de braises ne doit pas être placé sur un tapis à moins de 200 mm (8 po) requis de chaque côté de l'appareil sans porte. Lorsqu'un appareil est installé à moins de 200 mm (8 po) d'un mur, contre les braises de 450 mm (18 po) requises de chaque côté avec une porte doit s'étendre sur toute la largeur de l'appareil plus les doivent être protégés par un tampon continu, durable et incombustible qui fournira une protection contre les braises. La protection mm (18 po) au-delà de l'appareil de tout côté équipé d'une porte, et à au moins 200 mm (8 po) au-delà de l'appareil de l'autre côté, solide et équipé, tout revêtement combustible sous l'appareil et/ou dans la zone s'étendant horizontalement à au moins 450 d'appoint, ainsi que l'avis : « Au Canada, pour se conformer à la norme CSA B365, Code d'installation des appareils à combustible Les pièces ou matériaux à utiliser pour les protecteurs de braises et les surfaces minimales à couvrir et leur relation avec le radiateur bâtiment transportable.

Reportez-vous aux instructions du fabricant de la cheminée pour le démontage de la cheminée/ventilation pour le transport d'un

N'obstruez pas l'espace sous l'appareil de chauffage et n'obstruez pas les ouvertures d'air de combustion.

INSTRUCTIONS SPÉCIFIQUES AUX INSTALLATIONS CANADIENNES

Informations sur le modèle	
Numéro de modèle	Numéro de série

Les informations contenues dans ce manuel du propriétaire sont spécifiques à votre appareil. Lors de la commande de pièces de rechange, les informations contenues dans ce manuel vous aideront à vous assurer que les bons articles sont commandés. Avant de contacter le service client, notez le numéro de modèle et le numéro de série de cet appareil. Cette information se trouve sur l'étiquette de certification apposée à l'arrière de l'appareil. D'autres informations qui pourraient être nécessaires sont le numéro de pièce et la description de l'article en question. Les références et les descriptions se trouvent dans la section « Pièces de réparation » de ce manuel. Une fois ces informations recueillies, vous pouvez contacter le service client par téléphone au 1-800-750-2723, poste 5051 ou par e-mail à parts@usstove.com.

COURRIEL: PARTS@USSTOVE.COM

POUR L'ASSISTANCE SUR LES PIÈCES, APPELEZ LE 800-750-2723, POSTE 5051 OU PAR

SURFACES PEINTES

Il est fortement recommandé que la combustion initiale de votre nouveau poêle se fasse à l'extérieur. La peinture utilisée pour enduire votre poêle d'une peinture haute température qui est sèche à l'arrivée mais qui a un durcissement final qui se produit lors de la combustion initiale. Cette cure durera 20 à 30 minutes et produira des vapeurs et un peu de fumée.

VERRE

Nous vous recommandons d'utiliser un nettoyeur pour vitres de haute qualité. Si une accumulation de crésote ou de carbone s'accumule, vous pouvez utiliser de la laine d'acier et de l'eau pour nettoyer le verre. N'UTILISEZ PAS de nettoyeurs abrasifs. N'effectuez PAS le nettoyage lorsque la vitre est CHAUDE. N'essayez pas de faire fonctionner l'appareil avec du verre brisé. Le verre de remplacement peut être acheté auprès de votre revendeur américain Stove. Si le verre est brisé, suivez ces procédures de retrait:

1. Retirez l'axe de charnière situé sur le côté droit du cadre de la fenêtre en poussant la goupille vers le haut et hors.
2. Le cadre de la fenêtre va maintenant s'ouvrir. Soyez prudent car le verre sera maintenant lâche. Effectuez le nettoyage nécessaire et réinstallez. REMARQUE: Des produits de nettoyage sont disponibles chez votre revendeur de poêles local spécialement pour nettoyer la vitre du poêle.

**NE PAS UTILISER DE MATÉRIAUX DE REMPLACEMENT
LORS DU REMPLACEMENT DE LA VITRE.**

NE PAS maltraiter la vitre de la porte en frappant, en claquant ou en faisant un traumatisme similaire. N'utilisez pas le poêle avec la vitre enlevée, fissurée ou cassée.

DÉMARRAGE D'AUTOMNE

Avant de commencer le premier feu de la saison de chauffage, vérifiez la zone extérieure autour des systèmes d'échappement et d'admission d'air pour déceler toute obstruction. Nettoyez et enlevez toutes les cendres volantes du système de ventilation.

Nettoyez les grilles du système d'échappement et du tuyau d'admission d'air extérieur. C'est également le bon moment pour nettoyer l'ensemble du poêle.

ARRÊT DE PRINTemps

Après la dernière brûlure au printemps, retirez les granulés restants de la trémie. Retirez les granulés. Passez l'aspirateur dans la trémie. Nettoyez soigneusement le pot de combustion et la chambre de combustion. Il peut être souhaitable de vaporiser l'intérieur de la trémie nettoyée avec un spray silicone aérosol si votre poêle se trouve dans une zone très humide. Le système d'échappement doit être soigneusement nettoyé.

ATTENTION:

**CE CHAUFFE-BOIS A BESOIN D'INSPECTION
ET DE RÉPARATION PÉRIODIQUES POUR UN
FONCTIONNEMENT APPROPRIÉ. IL EST CONTRE LES
RÉGLEMENTS FÉDÉRAUX DE FAIRE FONCTIONNER CE
CHAUFFE À BOIS D'UNE MANIÈRE INCOMPATIBLE AVEC
LES INSTRUCTIONS D'UTILISATION DE CE MANUEL.**

CALENDRIER DE MAINTENANCE

Établissez une routine pour le combustible, le brûleur et la technique de cuisson. Vérifiez quotidiennement l'accumulation de crésote jusqu'à ce que l'expérience montre à quelle fréquence le nettoyage est nécessaire pour assurer la sécurité. Sachez que plus la flamme est chaude, moins de crésote est déposée. Un nettoyage hebdomadaire peut donc être nécessaire par temps froid; cependant, les nettoyages mensuels peuvent être suffisants pendant les mois les plus chauds. REMARQUE: Le fait de ne pas effectuer le nettoyage de la chambre de combustion ou de la plaque de combustion secondaire peut réduire le rendement de votre poêle REMARQUE: Le fait de laisser des cendres s'accumuler dans le panier de combustion principal peut provoquer un étouffement du poêle et augmenter le risque de combustion lente de combustible et / ou de fumée.



AVERTISSEMENT:

NE JAMAIS FAIRE FONCTIONNER LE POÊLE SANS LE JOINT OU AVEC UN JOINT ENDOMMAGÉ OU CASSÉ. LE FONCTIONNEMENT SANS JOINT D'ÉTANCHÉITÉ OU ENDOMMAGÉ ENDOMMAGERA VOTRE POÊLE ET PEUT CAUSER UN INCENDIE.

Inspectez les joints de la porte et de la fenêtre en vitre de manière régulière. Vous devrez probablement enlever la porte pour effectuer le remplacement des joints effilochés, brisés ou condensés par votre détaillant autorisé. La porte de cette unité utilise un joint plat de 0,125 x 1. Inspectez et nettoyez la plaque de combustion secondaire, le panier de combustion principal, le tube de combustion principal et le cendrier avant d'allumer le poêle. Ne faites pas fonctionner votre poêle avec le porte à hublot ouvert, car des problèmes de sécurité risquent de se produire. La porte d'alimentation doit être fermée et scellée pendant le fonctionnement.

JOINTS DE LA PORTE ET DE LA VITRE

Vérifiez périodiquement la trémie pour déterminer s'il y a de la sciure (fines) qui s'accumule dans le système d'alimentation ou des granules qui adhèrent à la surface de la trémie. Nettoyez au besoin.

VÉRIFIER ET NETTOYER LA TRÉMIE

Le brûlage du bois produit naturellement des émissions de fumée et du monoxyde de carbone (CO). Le CO est un gaz poison lorsque l'exposition se fait à des concentrations élevées pour une période de temps prolongée. Bien que les systèmes de combustion modernes des appareils de chauffage réduisent de façon importante la quantité de CO émis par la cheminée, l'exposition aux gaz dans des endroits fermés ou clos peut être dangereuse. Assurez-vous que les joints d'étanchéité de votre poêle et les joints de la cheminée sont en bon état et étanches afin d'éviter les conséquences indésirables. Il est recommandé d'utiliser des détecteurs de fumée et de CO dans les zones où se trouve un potentiel de génération de CO. Un détecteur de fumée fonctionnel doit être installé dans la même chambre que le produit. Installez un détecteur de fumée sur chaque étage de votre maison; dans le cas d'un feu accidentel, il peut vous donner assez de temps pour vous échapper. Le détecteur de fumée doit être installé à au moins 4,57 mètres (15 pieds) de l'appareil afin d'éviter que le détecteur ne soit déclenché par erreur lorsque vous rechargez.

DÉTECTEURS DE FUMÉE ET DE CO

Les cendres doivent être placées dans un récipient en métal recouvert d'un couvercle bien ajusté. Le récipient de cendres fermé doit être placé sur un plancher incombustible ou sur le sol, loin des matériaux combustibles, en attendant sa mise au rebut finale. Si les cendres sont entières ou dispersées sur place, elles doivent rester enfermées dans le récipient, jusqu'à ce qu'elles soient complètement refroidies.

AVERTISSEMENT:

LAISSEZ LE POÊLE REFROIDIR AVANT D'EFFECTUER TOUT ENTRETIEN OU NETTOYAGE. LES CENDRES DOIVENT ÊTRE ÉLIMINÉES DANS UN RÉCIPENT MÉTALLIQUE AVEC UN COUVERCLE FERMÉ. LE CONTENEUR DE CENDRES FERMÉ DOIT ÊTRE PLACÉ SUR UNE SURFACE NON COMBUSTIBLE OU AU SOL, BIEN À L'ÉCART DE TOUT MATÉRIEL COMBUSTIBLE, EN ATTENTE DE L'ÉLIMINATION FINALE.

ENLÈVEMENT ET ÉLIMINATION DES CENDRES

Cela s'accumule dans la partie horizontale d'une course d'échappement. Bien que non combustible, il peut gêner le débit normal des gaz d'échappement. Il doit donc être périodiquement supprimé.

CENDRES VOLANTES

Lorsqu'un bois brûle lentement, il produit du goudron et d'autres vapeurs organiques, qui se combinent avec l'humidité expulsee pour former de la créosote. Les vapeurs de créosote se condensent dans le conduit de cheminée relativement froid ou un feu nouvellement allumé ou à partir d'un feu à combustion lente. En conséquence, des résidus de créosote s'accumulent sur le revêtement du conduit de fumée. Lorsqu'elle est enflammée, cette créosote produit un feu extrêmement chaud, ce qui peut endommager la cheminée ou même détruire la maison. Malgré leur efficacité élevée, les poêles à granules peuvent accumuler de la créosote dans certaines conditions. Le connecteur de cheminée et la cheminée doivent être inspectés par une personne qualifiée annuellement ou par tonne de granules pour déterminer si une accumulation de créosote ou de cendres volantes s'est produite. Si la créosote s'est accumulée, elle doit être enlevée pour réduire le risque de feu de cheminée. Inspectez le système au raccorderment du poêle et au sommet de la cheminée. Les surfaces plus froides ont tendance à accumuler des dépôts de créosote plus rapidement, il est donc important de vérifier la cheminée par le haut ainsi que par le bas. La créosote doit être éliminée avec une brosse spécialement conçue pour le type de cheminée utilisée. Un ramoneur qualifié peut effectuer ce service. Il est également recommandé qu'avant chaque saison de chauffage, l'ensemble du système soit inspecté, nettoyé et, si nécessaire, réparé par un professionnel. Pour nettoyer la cheminée, débranchez l'évent du poêle.

AVERTISSEMENT:

LE SYSTÈME D'ÉCHAPPEMENT DOIT ÊTRE VÉRIFIÉ MENSUELLEMENT PENDANT LA SAISON DE BRÛLURE POUR TOUT ACCUMULATION DE SUIE OU DE CRÉOSOTE.

FORMATION, INSPECTION ET ÉLIMINATION DE LA CRÉOSOTE

NE JAMAIS UTILISER CE PRODUIT SANS SURVEILLANCE

AVERTISSEMENT:

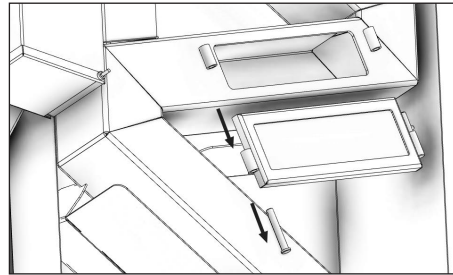
- NE PAS NETTOYER ET MAINTENIR CET APPAREIL COMME INDiqué PEUT ENTRAÎNER DE MAUVAISES PERFORMANCES, DES RISQUES DE SÉCURITÉ, UN INCENDIE ET MÊME LA MORT.
- NE JAMAIS EFFECTUER D'INSPECTION, DE NETTOYAGE OU DE MAINTENANCE SUR UN POÊLE CHAUD.
- NE PAS FAIRE FONCTIONNER LE POÊLE AVEC LA VITRE CASSÉE, UNE FUIITE DE GAZ DE FUMÉE PEUT EN RÉsulTER.

NETTOYAGE

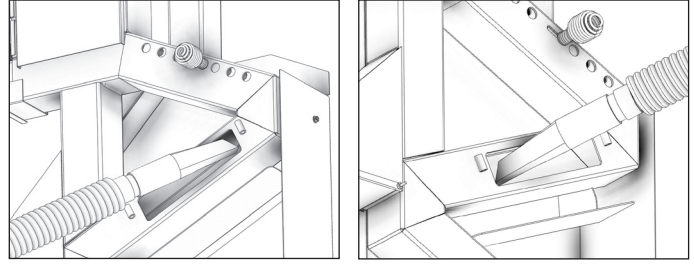
Apprenez votre poêle! Ce poêle n'a pas de pièces mobiles et ne nécessite aucune électricité; il nécessite cependant votre attention un peu comme un poêle à bois, en particulier lors de la combustion d'un granulé de bois dur. Il est très important de nettoyer soigneusement les cendres volantes de cette unité chaque semaine. La fenêtre doit être retirée pour nettoyer correctement les cendres volantes de l'unité. Les étapes pour éliminer les cendres volantes sont indiquées comme suit:

1. Laissez l'appareil refroidir complètement. Retirez la goupille de 5/16 po de diamètre sur le côté droit de la fenêtre comme indiqué.

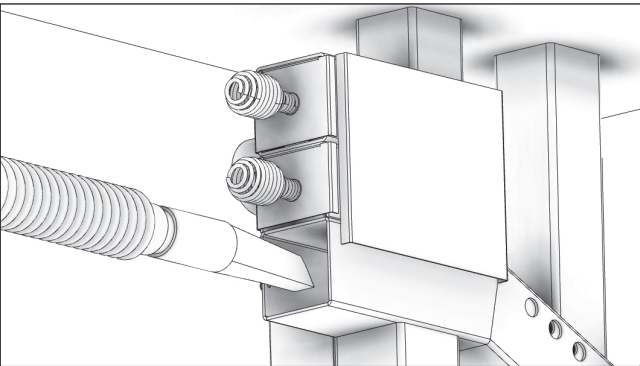
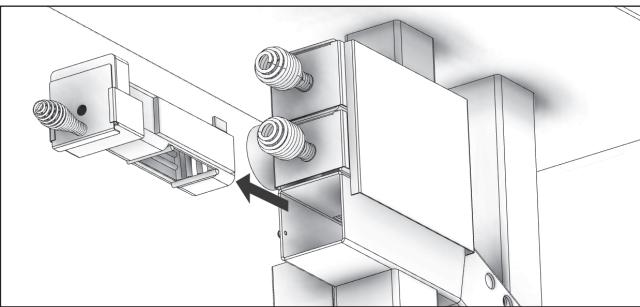
2. Soulevez le cadre de la fenêtre pour dégager le côté gauche de la fenêtre comme illustré. Remarque: Lorsque vous retirez la fenêtre, veillez à maintenir à la fois le verre et le cadre.



3. Aspirez les cendres refroidies de l'appareil. Assurez-vous d'aspirer en amont et en aval de l'ouverture de la fenêtre. Remarque: Tout aspirateur doit être effectué à l'aide d'une batterie de cendres.



4. Retirer le pot de combustion et aspirer la chambre de casserole..



5. Lorsque vous avez fini de nettoyer les cendres, réinstallez la fenêtre et brûlez le pot.

6. NETTOYER VOTRE PLAQUE DE BRÛLAGE SECONDAIRE

DE BOIS DUR. Tout d'abord, retirez le cendrier et éliminez les cendres comme décrit précédemment, puis réinstallez le cendrier. Ensuite, retirez la plaque de combustion secondaire. Cela permettra aux cendres accumulées et aux charbons ardents de tomber dans le cendrier. Inspectez la plaque de combustion secondaire, toutes les couches de cendres doivent être enlevées et jetées. Tapotez légèrement la plaque de combustion secondaire sur le bord de votre conteneur de mise au rebut pour dégager tout trou obstrué dans la plaque de combustion. Cela reprendra une bonne circulation d'air à travers la plaque de combustion; réinstallez la plaque de combustion secondaire.

Compte tenu des nombreux combustibles et installations différents, il n'existe pas de formule unique pour déterminer la fréquence à laquelle cela doit être effectué. Laissez la plaque de combustion secondaire s'accumuler avec des cendres peut étouffer le poêle, provoquant une diminution de la température et augmenter la possibilité de combustion du combustible et de la fumée. Tant que l'expérience ne vous a pas aidé à établir une routine régulière, il n'est pas recommandé de laisser le poêle sans surveillance pendant de longues périodes. VIDEZ TOUJOURS LE CENDRIER ET DÉGAGEZ LA PLAQUE DE BRÛLAGE SECONDAIRE AVANT DE LAISSER LE POÊLE SANS SURVEILLANCE!

d'introduire les granulés. Lorsque le poêle est froid et qu'il fait plus froid à l'extérieur qu'à l'intérieur, il y a un tirage vers le bas dans la cheminée. Faire fonctionner la torche pendant une minute en premier pour permettre de surmonter ce courant d'air descendant qui est présent.

- Si de la fumée devient présente pendant l'allumage, repositionner la tête de la torche de sorte que la flamme brûle à travers le fond du panier de combustion et non directement dessus.

- La plaque de combustion secondaire peut être glissée jusqu'à un pouce pour fournir un flux d'air maximal pendant le fonctionnement.

- Lors du fonctionnement du poêle à basse température (trous de registre ouverts), la jauge de température ne doit jamais descendre en dessous de 300 °. Deux choses se produisent lorsque le poêle tombe en dessous de 300 ° : 1) Le tirage ralentira suffisamment pour nuire aux performances du poêle. 2) La créosote s'accumule, ce qui entraîne de mauvaises performances et augmente le risque de feu de cheminée.

- S'il était nécessaire d'ajuster le panier de combustion principal plus large, il peut être nécessaire de dégager la plaque de combustion secondaire plus souvent pendant le fonctionnement.

- Un registre barométrique aidera à résoudre les problèmes lorsque le poêle connaît une production de chaleur élevée et constante. La fonction barométrique donne à l'utilisateur la possibilité de régler le tirage à travers la cheminée jusqu'à ce que les températures souhaitées soient établies sur l'appareil sur lequel il a été installé.

- Un chapeau de cheminée VacuStack est recommandé en cas de problèmes de tirage ou de températures fluctuantes ou de faible production de chaleur. Les bouchons VacuStack sont conçus pour augmenter le tirage sur n'importe quelle cheminée en provoquant un effet de vide à travers le conduit de fumée en dessous lorsque l'air passe au-delà du bouchon.
- MISE EN GARDE: Dans les zones de vent fort, un tirage excessif peut être ressenti, ce qui peut prolonger la sortie haute température du poêle. Nous recommandons d'installer un amortisseur barométrique lorsque cela se produit, ce qui vous donne la possibilité de contrôler le tirage excessif créé par le vide et les courants de vent persistants au-dessus.

- Remèdes pour ceux qui subissent une baisse de température après plusieurs heures de fonctionnement: Tout d'abord, vider le cendrier et éliminer correctement les cendres comme décrit dans ce manuel. Ensuite, nettoyez la plaque de combustion secondaire comme décrit dans ce manuel. Si cela

ne ramène pas la température, fermez la plaque d'arrêt des pellets pendant environ 35 minutes en faisant fonctionner le poêle à haute température. Rouvrez la plaque d'arrêt des pellets. Cela efface le tube d'alimentation vertical de tous les granulés préchauffés et réintroduit le combustible à granulés frais.

RAVITAILEMENT

AVERTISSEMENT:

- LA TRÉMIE ET LE POÊLE SERONT CHAUDS PENDANT LE FONCTIONNEMENT; PAR CONSÉQUENT, VOUS DEVEZ TOUJOURS UTILISER UN TYPE DE PROTECTION DES MAINS LORS DU RAVITAILEMENT DE VOTRE POÊLE.
- NE TOUCHEZ PAS LES SURFACES CHAUDES DU POÊLE. ÉDUIQUEZ TOUS LES ENFANTS SUR LES DANGERS D'UN POÊLE À HAUTE TEMPÉRATURE. LES JEUNES ENFANTS DOIVENT ÊTRE SURVEILLÉS LORSQU'ILS SE TROUVENT DANS LA MÊME PIÈCE QUE LE POÊLE.
- NOUS VOUS RECOMMANDONS DE NE PAS LAISSER LA TRÉMIE TOMBER EN DESSOUS DE 1/4 PLEINE.

AVERTISSEMENT:

- GARDER LE COUVERCLE DE LA TRÉMIE FERMÉ EN TOUT TEMPS SAUF LORS DU REMPLISSAGE.
- NE REMPLISSEZ PAS TROP LA TRÉMIE.

AVERTISSEMENT DE FALSIFICATION

Ce chauffage au bois a un taux de combustion minimum réglé à la fabrication, et qui ne peut être modifié. La modification de ce réglage ou une utilisation autre de ce chauffage au bois qui ne respecterait pas les directives du présent manuel contrevient aux réglementations fédérales.

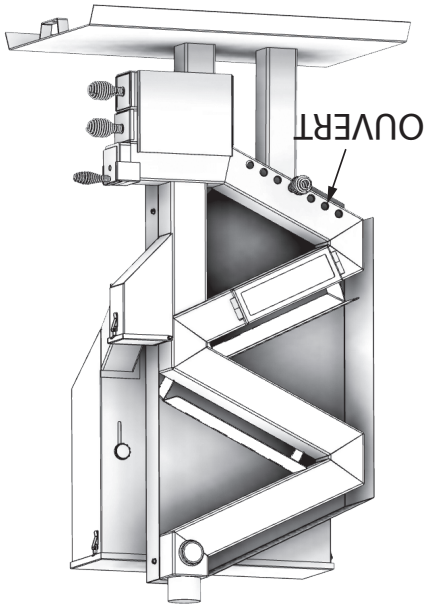
ÉTENDRE LE POÊLE

Lorsque vous êtes prêt à éteindre votre poêle, fermez tout simplement la porte d'alimentation des granulés (en position vers le bas). Une fois que vous avez fermé la porte d'alimentation, le poêle continuera à fonctionner pendant environ 45 minutes. Lorsque vous fermez votre poêle, assurez-vous de fermer également la glissière du tirage d'air (les trous doivent être bouchés).

7. Enlevez, éteignez et rangez votre pistolet thermique.
8. Réinstallez la glissière du bout de la chambre principale.



CONTRÔLE DE LA TEMPÉRATURE



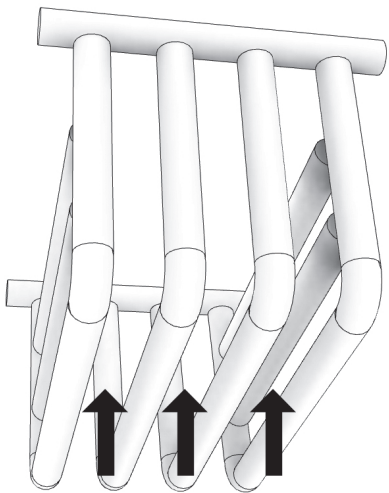
Parce que la glissière du registre se trouve derrière la chambre de combustion, le contrôle de la température se fait à l'inverse d'un poêle à bois traditionnel. Pour ajuster la glissière du registre: tournez la poignée un demi-tour dans le sens contraire des aiguilles, puis faites glisser à la position souhaitée et resserrer. La position ouverte réduira le tirage d'air et ralentira le poêle de la même façon qu'une fissure dans une paille. Si vous fermez le registre, ceci fera augmenter la température et la puissance calorifique.

ATTENTION:
NE PAS TROP DÉSERRE LA POIGNÉE DE LA GLISSIÈRE DU REGISTRE! CE CI POURRAIT ENTRAÎNER LA SÉPARATION DE LA POIGNÉE À LA PLAQUE DU REGISTRE.

RÉGLER VOTRE POÊLE

Une fois que votre poêle est installé et prêt à être utilisé, une

période de temps sera nécessaire afin d'effectuer certains ajustements qui correspondront à vos besoins particuliers. C'est ce que nous appelons «apprendre à connaître votre poêle». Chaque poêle affiche sa propre personnalité selon : le type de granulés qui est utilisé, l'élévation, les mètres carrés que vous chauffez, les pressions barométriques, les courants de vent, les tirages d'air qui existent au sein de votre maison et bien plus. Ceci se réfère également à la fréquence à laquelle vous devrez jeter les cendres, nettoyer la plaque de combustion secondaire, essayer les différentes marques de granulés et déterminer la meilleure position de la glissière du registre afin d'obtenir les résultats souhaités. Une fois que vous vous êtes familiarisé avec le poêle, il est possible que vous ayez besoin d'ajuster la cage de combustion principale. Le panier de combustion principal qui est inclus avec chaque poêle est fourni avec une mesure prédéterminée. Cette mesure répond à la plupart des applications, mais un utilisateur a parfois besoin d'effectuer certains ajustements. C'est très simple à faire; les meilleurs outils pour agrandir le panier sont deux ciseaux. Pour rétrécir l'espace utilisez une paire de pinces.



Les trois flèches noires indiquent l'espace où les granulés tombent à travers le panier et sur la plaque de combustion secondaire. L'espace minimum ne devrait pas être inférieur à 0,290, ou bien sur un ruban à mesurer la marque la plus proche devrait être en dessous de la marque 19/64 po. L'ajustement maximal ne devrait pas dépasser 0,320, ou bien légèrement au dessus de la marque 5/16 po sur le ruban à mesurer. Effectuez uniquement des ajustements mineurs car vous observerez que les petits ajustements peuvent avoir un impact considérable sur le changement de température. Un resserrément ralentira la vitesse d'alimentation en granulés et entraînera une température de fonctionnement plus basse. Un agrandissement entraînera une vitesse d'alimentation plus élevée ce qui fera augmenter la température.

ASTUCES UTILES

- Il est fortement recommandé de démarrer le tirage en laissant fonctionner la torche portative pendant une minute avant

AVERTISSEMENT:
LES TENTATIVES POUR ATTEINDRE DES TAUX DE SORTIE DE CHALEUR SUPÉRIEURS AUX SPÉCIFICATIONS DE CONCEPTION DU CHAUFFAGE PEUVENT CAUSER DES DOMMAGES PERMANENTS AU CHAUFFAGE.

ALLUMAGE AVEC UNE TORCHE AU GAZ

PROPANE PORTATIVE

Vous aurez besoin d'une torche au gaz propane portative pour allumer votre poêle. Nous vous recommandons d'utiliser une torche de haute qualité avec un système d'allumage à gâchette. Assurez-vous que la porte d'alimentation des granules est en position fermée, vous apercevrez la poignée extérieure sur le devant de la trémie. Vers le bas complètement indique que le couvercle de la trémie et ajoutez le montant de granules souhaité.

3. Assurez-vous que la glissière du registre avant se trouve en position fermée, les trous devraient être bouchés.

4. Faites l'inspection de votre chambre de combustion principale, de la plaque de combustion secondaire et du cendrier pour toute accumulation de suie et pour les nettoyer. Effectuez tout entretien nécessaire.

5. Remplacez la chambre de combustion principale, la plaque de combustion secondaire et le cendrier.

6. Enlevez la glissière au bout de la chambre principale (la poignée du dessus).

7. Allumez la torche et insérez-la dans la chambre de combustion principale. Laissez la torche fonctionner pendant environ une (1) minute. Ceci fera en sorte de démarrer le tirage d'air initial et accélèrera le processus d'allumage.

8. Faites glisser l'alimentation à la position complètement ouverte (la poignée devrait maintenant se trouver au dessus de la fente).

9. Laissez la torche fonctionner jusqu'à ce que le poêle atteigne 200 degrés (ceci devrait prendre environ 5 minutes selon le type de carburant utilisé).

10. Enlevez, éteignez et rangez votre torche.

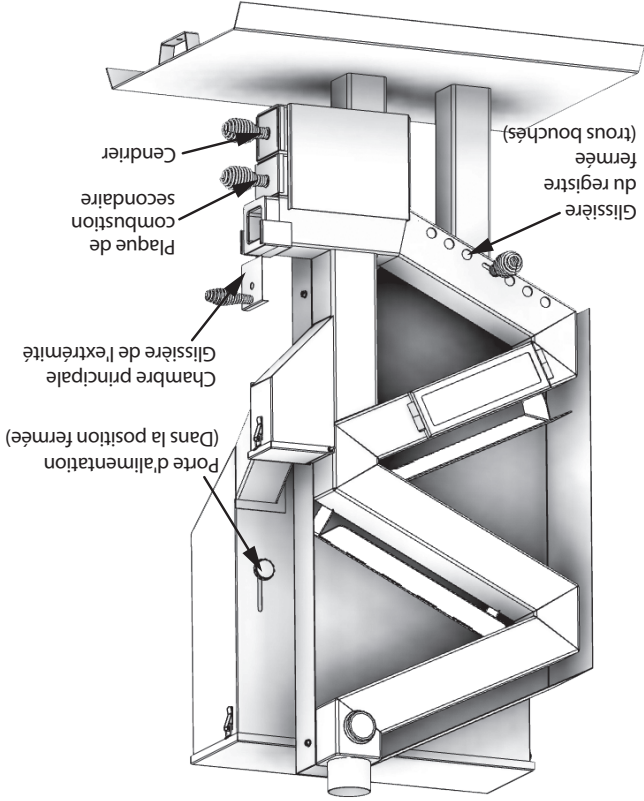
11. Ne remettez le couvercle principal de la glissière que lorsque le poêle aura atteint 400°F.

AVERTISSEMENT:
UNE FOIS QUE LE POÊLE EST ALLUMÉ, LE GLISSIÈRE AU BOUT DE LA CHAMBRE PRINCIPALE DOIT ÊTRE EN PLACE AFIN DE GARANTIR UN TIRAGE D'AIR ADEQUAT À TRAVERS LA CHAMBRE DE COMBUSTION SECONDAIRE. ET UNE UTILISATION ADEQUATE DE L'AIR EXTERNE.

1. Suivez les étapes 1 à 6 des instructions pour la section « Allumage avec une torche au gaz propane portative ».
2. Branchez et allumez le pistolet thermique au réglage le plus élevé, puis insérez le pistolet.
3. Laissez le pistolet fonctionner pendant 30 secondes.
4. Ouvrez la porte d'alimentation des granules.
5. L'allumage des granules prendra approximativement une (1) minute. Vous entendrez un son similaire à « whoosh » lorsque les granules seront allumées.
6. Réglez ensuite le pistolet au paramètre le plus bas et continuez à le faire fonctionner jusqu'à ce que le poêle atteigne 400 degrés, ceci se fera assez rapidement une fois que les granules seront allumées.

ALLUMAGE AVEC UN PISTOLET THERMIQUE (À AIR CHAUD)

Vous aurez besoin d'un pistolet thermique industriel de 120 volts disponible dans la plupart des quincailleries.



NE JAMAIS UTILISER CE PRODUIT SANS SURVEILLANCE

AVERTISSEMENT:
<ul style="list-style-type: none"> N'UTILISEZ PAS DE PRODUITS CHIMIQUES OU DE FLUIDES POUR ALLUMER LE FEU - NE JAMAIS UTILISER D'ESSENCE, DE CARBURANT POUR LANTERNE DE TYPE ESSENCE, DE KÉROSENE, DE LIQUIDE POUR BRIQUET AU CHARBON OU DE LIQUIDES SIMILAIRES POUR ALLUMER OU «RAFFRAÎCHIR» UN FEU DANS CE POÊLE. GARDEZ TOUS CES LIQUIDES ÉLOIGNÉS DU POÊLE PENDANT SON UTILISATION. CHAUD EN FONCTIONNEMENT. TENIR LES ENFANTS, LES VÊTEMENTS ET LES MEUBLES À L'ÉCART. LE CONTACT PEUT CAUSER DES BRÛLURES DE LA PEAU.

Cet appareil de chauffage est conçu pour brûler uniquement des granulés de qualité PFI Premium. NE BRÛLEZ PAS:

1. Des ordures;

2. Des déchets de tonte ou résidus de jardin;

3. Des matériaux contenant du caoutchouc, incluant les pneus;

4. Matériaux contenant du plastique;

5. Des déchets de produits du pétrole, des peintures ou diluants à peinture, ou des produits d'asphalte;

6. Matériaux contenant de l'amiante;

7. Débris de construction ou de démolition;

8. Traverses de voie ferrée ou bois traité sous pression;

9. Fumier ou restes d'animaux;

10. Bois de grève en eau salée ou autres matériaux précédemment saturés par de l'eau salée;

11. Bois non séché; ou

12. Produits du papier, carton, contreplaqué, ou panneau de particules. L'interdiction de brûlage de ces matériaux n'interdit pas l'utilisation d'allume-feu composés de papier, carton, sciure de bois, cire et substances similaires, aux fins de démarquer le feu dans un chauffage au bois modifié.

Le brûlage de ces matériaux peut causer des émanations de fumées toxiques ou rendre le chauffage inefficace en raison de la fumée.

BON CARBURANT

ATTENTION:

CET APPAREIL EST CONÇU POUR L'UTILISATION DE COMBUSTIBLE GRANULÉ QUI RENCONTRÉ OU DÉPASSERA LA NORME DÉFINIE PAR LE PELLET FUEL INSTITUTE (PFI).

CE POÊLE EST APPROUVÉ POUR BRÛLER DU BOIS GRANULÉ UNIFORMEMENT! Les granulés approuvés par l'usine sont ceux de 1/4 po ou 5/16 po de diamètre et pas plus de 1 po de long. Il est interdit de brûler du bois sous des formes autres que les granulés. Cela entraînera les codes du bâtiment pour lesquels le poêle a été approuvé et annulera toutes les garanties. La conception incorpore une alimentation automatique du combustible en granulés dans le feu à une vitesse soigneusement prescrite. Tout combustible supplémentaire introduit à la main n'augmentera pas la production de chaleur mais peut sérieusement nuire aux performances du poêle en générant une fumée considérable. Ne brûlez pas de granulés humides. Les performances du poêle dépendent fortement de la qualité de votre combustible à granulés. Évitez les marques de granulés qui présentent ces caractéristiques:

- Excès d'arêtes - «Amendés» est un terme décrivant des granulés broyés ou des matériaux en vrac qui ressemblent à de la sciure ou du sable. Les granulés peuvent être tamisés avant d'être placés dans la trémie pour éliminer la plupart des fines.
- Liants - Certains granulés sont produits avec des matériaux pour les maintenir ensemble ou les «liés».
- Teneur élevée en cendres - Les granulés de mauvaise qualité créent souvent de la fumée et du verre sale. Ils créeront un besoin d'entretien plus fréquent. Vous devrez vider le pot de combustion et aspirer plus souvent tout le système.

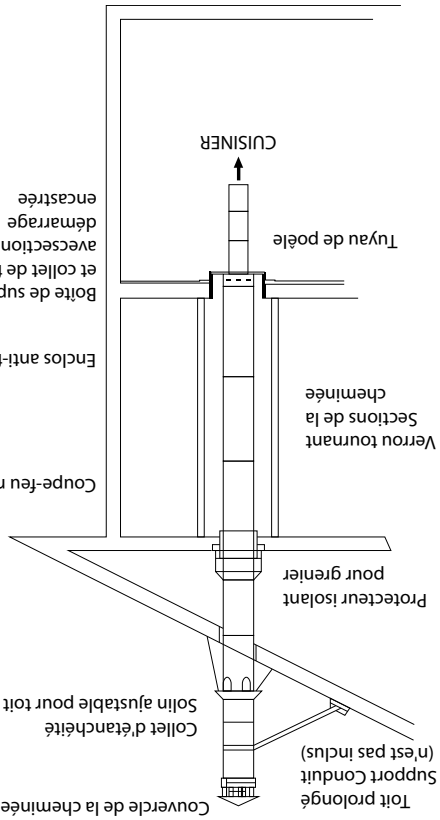
ATTENTION:

- GARDER LES OBJETS ÉTRANGERS HORS DE LA TRÉMIE.
- NE BLOQUEZ PAS LES PORTS D'ENTRÉE D'AIR FRAIS - CELA AFFECTERA GRAVEMENT LES PERFORMANCES DU POÊLE.

Installez la première option: lorsque la longueur de ventilation de 8 pieds à 15 pieds est utilisée, utilisez un tuyau à granules L de 3 po de diamètre répertorié. Lorsque vous devez utiliser plus de 15 pieds de ventilation, utilisez un tuyau à granules L de 4 po de diamètre répertorié. Dans certaines installations et en raison de conditions environnementales extérieures, un registre barométrique peut devoir être installé immédiatement sur le dessus du poêle. Cet amortisseur barométrique empêchera un tirage excessif qui fera brûler votre poêle plus chaud que la normale et brûler un carburant excessif. Vous pouvez également ajuster les barres plus rapprochées sur le panier de combustion pour abaisser la température s'il commence à devenir trop chaud. (Voir la section «Réglage de votre poêle» de ce manuel)

Un tuyau d'évent à granules L répertorié de 4 po de diamètre est recommandé si vous décidez de traverser le mur et que vous devez terminer au-dessus du toit à au moins 24 po à l'aide d'un évent à granules. Lors de l'installation dans une cheminée existante, vous devez faire passer un évent de 4 po jusqu'à toute cheminée existante et se terminer par le haut.

Deuxième option d'installation : Utilisez au moins un tuyau à simple paroi de calibre 24 d'un diamètre de 102 mm, 127 mm, ou 153 mm (4 po, 5 po ou 6 po) lorsque vous branchez à une cheminée préfabriquée homologuée. Utilisez un adaptateur de 77 mm - 102 mm, 127 mm ou 153 mm (3 po - 4 po, 3 po - 5 po ou 3 po - 6 po) directement au-dessus du poêle, puis branchez-vous à la longueur du tuyau requise pour atteindre la cheminée préfabriquée. Un joint couilissant peut être utilisé pour permettre le branchement à la cheminée préfabriquée ou un bouchon peut être inséré au point d'entrée de la cheminée préfabriquée. Le conduit de raccordement devra passer à travers une prise d'au moins 102 mm (4 po) ou bien peut passer à travers la longueur complète de la cheminée. Lorsque vous utilisez cette méthode, installez un autre bouchon de taille adaptée au-dessus de la cheminée et faites passer le conduit de raccordement à au moins 51 mm (2 po) en dehors et par-dessus le bouchon. Installez un capuchon de dimension convenable dans le cas où le capuchon d'usine est déjà en place avec un pare-étincelles, le conduit de raccordement peut se terminer en dessous du capuchon d'usine. Lorsque vous installez votre poêle, il est recommandé d'installer un tuyau de poêle vertical, vers le haut et à travers le toit. Ceci garantira un tirage ascendant adéquat qui est nécessaire pour le bon fonctionnement de tous les poêles. Plus votre tuyauterie du poêle comporte des tours et détours, plus le conduit d'air sera restreint. Ceci s'applique à tous les poêles.



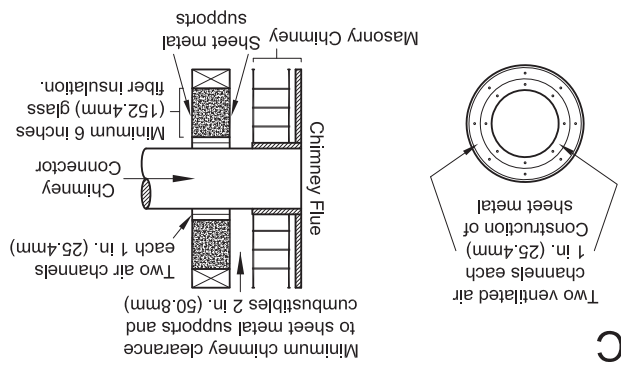
IMPORTANT :
IL EST IMPORTANT QUE LE TUYAU DE POÊLE ATTEIGNE AU MOINS (OU DÉPASSE) LE POINT LE PLUS HAUT SUR VOTRE TOIT.

Toute réduction dans le dégagement requis des matériaux combustibles peut uniquement être effectuée par des moyens approuvés par un organisme de réglementation. Installez les sorties d'air aux dégagements indiqués par le fabricant des conduits d'aération.

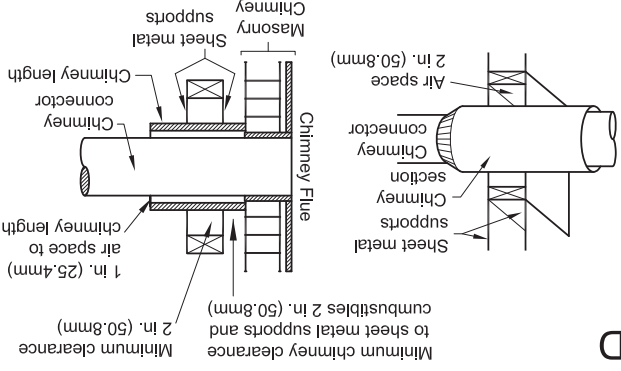
MANCHON DU CONDUIT DE RACCORDEMENT POUR LE MUR COMBUSTIBLE

Méthode A. Un dégagement de 304,8 mm (12 po) au mur combustible : À l'aide d'une épaisseur de briques d'au moins 89 mm (3,5 po) et d'une doublure en argile d'une épaisseur de mur d'au moins 15,9 mm (5/8 po), construisez un manchon de raccordement pour le mur. La doublure en argile doit respecter la norme ASTM C315 (Spécification standard pour les doublures de feu en argile) ou équivalente. Conservez un minimum de 304,8 mm (12 po) de brique entre la doublure en argile et les matériaux combustibles du mur. La doublure en argile réfractaire doit passer de la surface extérieure du brique à la surface intérieure du conduit de fumée, mais ne doit pas dépasser la surface intérieure. Appliquez une couche de ciment ou de ciment à la doublure en argile afin de la fixer en place au revêtement du conduit de fumée.

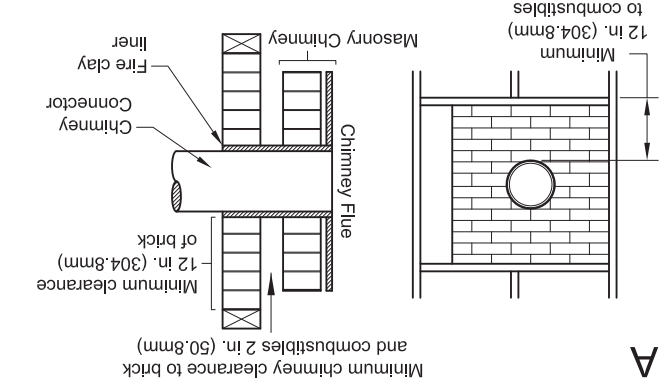
raccordement en métal. Veillez à ce que les supports soient solidement fixés aux surfaces murales sur tous les côtés. Veillez à ce que les attaches utilisées pour fixer le conduit de raccordement en métal ne pénètrent pas dans le doublage du conduit de fumée.



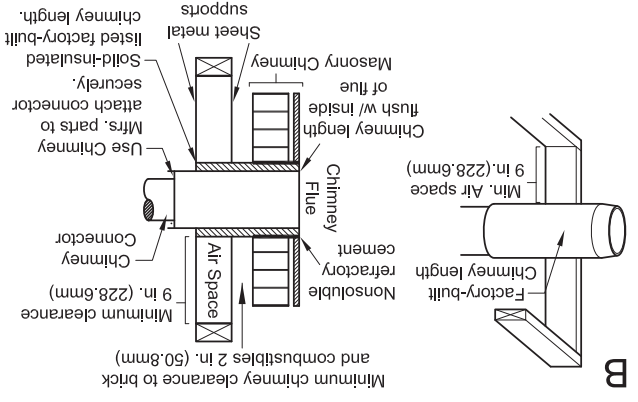
Méthode D. Un dégagement de 50,8 mm (2 po) au mur combustible : Commencez avec une section de cheminée préfabriquée solid-pak classée d'au moins 304 mm (12 po) de long, avec une isolation de 25,4 mm (1 po) ou plus et un diamètre intérieur de 8 po (203 mm) plus grand que le conduit de raccordement de 152,4 mm [6 po]. Utilisez-la comme manchon pour un conduit de raccordement en métal à simple paroi d'un calibre minimum 24. La section solid-pak doit être concentrique et à une distance de 25,4 mm (1 po) du conduit de raccordement au moyen des plaques de support du conduit de tôle d'acier à chaque extrémité de la section de cheminée. Couvrez l'ouverture avec et supportez la section de la cheminée aux deux côtés avec des supports de tôle d'acier d'un calibre minimum 24. Veillez à ce que les supports soient solidement fixés aux surfaces murales sur tous les côtés. Veillez à ce que les attaches utilisées pour fixer le conduit de fumée ne pénètrent pas dans le doublage du conduit de fumée.



REMARQUES: Les raccords à une cheminée en brique approuvée avec un conduit de fumée, avec la méthode d'installation B, devront s'étendre sur une section en continu à travers le système de passage intramural et le mur de la cheminée, mais ne devront pas passer à travers la face intérieure du conduit de fumée. Un conduit de raccordement ne doit pas passer à travers un grenier ou un comble, un plancher, un placard, un plafond ou un espace un vide de construction.



Méthode B. Un dégagement de 228,6 mm (9 po) au mur combustible : À l'aide d'une section de cheminée Solid-Pak fabriquée en usine d'un diamètre de 152,4 mm (6 po) avec une isolation de 25,4 mm (1 po) ou plus, construisez un manchon de raccordement avec un dégagement d'air d'au moins 228,6 mm (9 po) entre le mur extérieur de la cheminée et les matériaux combustibles du mur. Utilisez des supports en tôle d'acier solidement fixés aux surfaces murales sur tous les côtés afin de maintenir un espace d'air de 228,6 mm (9 po). Lorsque vous fixez les supports à la longueur de la cheminée, faites attention de ne pas perforez la doublure de la cheminée (le mur intérieur de la cheminée Solid-Pak). L'extrémité intérieure de la section de la cheminée Solid-Pak doit être à égalité avec l'intérieur de la cheminée en maçonnerie approuvée avec un conduit de fumée et scellée avec du ciment réfractaire insulable à l'eau. Utilisez également ce ciment pour sceller la perforation dans la briquetage.



Méthode C. Un dégagement de 152,4 mm (6 po) au mur combustible : En commençant avec un conduit de raccordement en métal de calibre 24 (d'une dimension de 0,61 mm [0,024 po]) de 152,4 mm (6 po) et avec une virole de mur ventilée de calibre 24 qui possède deux canaux d'air de 25,4 mm (1 po) chacun, construisez un manchon de raccordement. Une aire de séparation avec un isolant en fibre de verre d'un minimum de 152,4 mm (6 po) devra être présente à partir de la surface externe de la virole du mur aux matériaux combustibles. Supportez la virole murale et recouvrez-en l'ouverture, à l'aide d'un support en tôle d'acier de calibre 24 minimum. Conservez l'espace de 152,4 mm (6 po) requis. Il devra également y avoir un support de la bonne taille afin de supporter le conduit de

AVERTISSEMENT:

NE PAS FAIRE DE COMPROMIS SUR LES INSTRUCTIONS D'INSTALLATION OU EFFECTUER DES MODIFICATIONS AUX SPÉCIFICATIONS DU FABRICANT PENDANT L'INSTALLATION DE CE PRODUIT.

Attachez et fixez le système d'évacuation au produit et à chaque section adjacente. Tous les raccords pour le conduit de raccordement devront être convenablement fixés avec au moins trois vis. La zone où le tuyau de ventilation pénètre à l'extérieur de la maison doit être scellée avec du silicone ou à l'aide de tout autre moyen afin de maintenir la barrière de vapeur entre l'extérieur et l'intérieur de la maison. Les surfaces de ventilation peuvent devenir suffisamment chaudes pour causer des brûlures en cas de contact. Il sera peut-être nécessaire d'installer un écran de protection non inflammable ou une grille de protection.

IMPORTANT D'UN PROJET APPROPRIÉ

Le tirage est la force qui fait passer l'air de l'appareil à travers la cheminée. La quantité de tirage dans votre cheminée dépend de la longueur de la cheminée, de la géographie locale, des obstacles à proximité et d'autres facteurs. Un tirage trop important peut entraîner des températures excessives dans l'appareil. Un tirage inadéquat peut provoquer un retour de soufflage dans la pièce et un «climatage» de la cheminée. Un tirage inadéquat entraînera une fuite de fumée de l'appareil dans la pièce à travers les joints de l'appareil et du conduit de cheminée. Une brûlure incontrôlable ou une température excessive indique un tirage excessif. Tenez compte de l'emplacement de la cheminée pour vous assurer qu'elle n'est pas trop près des voisins ou dans une vallée, ce qui peut causer des conditions insalubres ou nuisibles.

INSTALLATION DES TUYAUX DE POÊLE

Ce poêle ne nécessite aucune alimentation électrique, il fonctionne grâce à un courant naturel. La force du courant est déterminée par la hauteur de la cheminée et c'est pourquoi l'installation de la cheminée est le facteur clé qui déterminera la performance de votre poêle. Ce poêle obtiendra un meilleur rendement avec un cheminée droite de 3 po ou de 4 po de diamètre et une hauteur moyenne de 8 à 12 pieds, bien que le poêle puisse fonctionner avec de multiples configurations en terme de hauteur, vous obtiendrez des résultats divers en matière de temps de combustion et d'utilisation du carburant. Une cheminée droite est considérée comme la meilleure configuration pour ce poêle à granulés. Ne modifiez pas les recommandations de tirage lors de l'installation de la cheminée ou du poêle. Il s'agit d'un poêle qui brûle du combustible à granulés, si un tirage adéquat n'est pas réalisé, ce poêle ne fonctionnera pas correctement et peut potentiellement provoquer la fumée du poêle. Si le tirage est compromis, cela peut nuire considérablement aux performances du poêle, en particulier lors de l'utilisation de granulés de bois dur. Les longs trajets horizontaux de la cheminée entraveront le tirage et entraîneront une mauvaise performance de ce poêle.

En plus des exigences d'installation précédemment détaillées, les installations de maisons mobiles doivent répondre aux exigences suivantes:

- Toutes les installations doivent répondre aux réglementations locales.
- Installez l'option 1 : Utilisez un tuyau de granulés d'évent en L de 3 po à 4 po. Remarque : Ne mélangez pas l'utilisation des systèmes de cheminée lors de l'installation. Utilisez 1 type de système tout au long de l'installation.
- Utilisez un tuyau de raccordement de calibre 24 minimum, 4 po ou plus avec le système de cheminée de classe A UL103/ULC S629 (option d'installation 2). Cet appareil est un poêle à bois qui brûle du carburant à granulés de bois. Ceci veut dire qu'un courant naturel alimente le poêle. Il doit être traité comme un poêle à bois et l'installation du tuyau doit être la plus verticale possible afin d'obtenir un tirage d'air ascendant maximal.
- Les parcours horizontaux et les coudes ne sont pas recommandés.
- N'installez pas un registre de tirage clapet manuel dans le conduit d'évacuation.

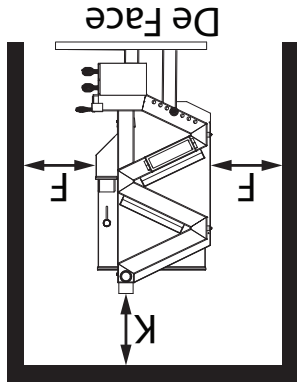
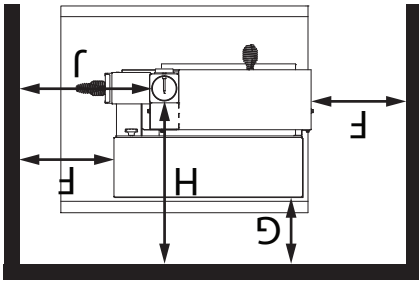
Installez les sorties d'air aux dégagements indiqués par le fabricant des conduits d'aération. Le conduit de raccordement ne doit pas passer à travers un grenier ou un comble, un plancher, un placard, un plafond ou un espace un vide de construction. Au Canada, si l'on souhaite traverser un mur ou une cloison de matériaux combustibles, l'installation doit être conforme au CAN/CSA-B365, code d'installation des sorties d'évacuation US-L pour les appareils et équipements à combustibles solides. Le conduit d'évacuation qui est requis pour les installations résidentielles ou les installations dans une mobile home/transposable building doit être de type énuméré «L» ou «PL» - 77 mm (3 po) ou 102 mm (4 po) de diamètre. S'il est installé dans une maison étroitement construite (mobile home/transposable building), une nouvelle prise d'air frais d'au moins 150 mm (2 po) de diamètre est requise dans la chambre où l'unité est installée.

AVERTISSEMENT! NE PAS INSTALLER DANS UNE CHAMBRE À COUCHER.

MISE EN GARDE! L'INTÉGRITÉ STRUCTURELLE DU PLANCHER, DES MURS ET DU PLAFOND / TOIT DE LA MOBILE HOME/TRANSPORTABLE BUILDING DOIT ÊTRE MAINTENUE. MAINTENEZ UN PARE-VAPEUR EFFICACE EN SCÉLANT AVEC DU SILICONE O LA CHEMINÉE OU D'AUTRES COMPOSANTS PÉNÈTRENT VERS L'EXTÉRIEUR DE LA STRUCTURE.

LORSQU'IL EST INSTALLÉ DANS UNE MOBILE HOME/TRANSPORTABLE BUILDING, LE POÊLE DOIT ÊTRE MIS À LA TERRE DIRECTEMENT SUR LE CHÂSSIS D'ACIER ET BOULONNÉ AU SOL.

DÉGAGEMENT AUX COMBUSTIBLES



ALIMENTATION EN AIR EXTÉRIEUR

Un air de ventilation adéquat est nécessaire pour faire fonctionner ce radiateur. Pendant le fonctionnement, le réchauffeur aspire de l'air pour la combustion qui peut être aidé par l'installation d'entrées d'air de combustion extérieures. Cependant, certaines conditions météorologiques telles que le givrage ou l'utilisation de ventilateurs de cuisine peuvent avoir un impact et réduire l'efficacité des événements. Il est important de noter que le manque d'air ambiant aura un impact négatif sur le fonctionnement du radiateur. Selon votre emplacement et la construction de votre maison, l'air extérieur peut être nécessaire pour une performance optimale. Votre poêle est homologué pour être installé avec une prise d'air extérieur (4FAK) nécessaire pour une mobile home/transportable building. Vous pouvez acheter le 4FAK auprès de votre revendeur d'appareils de chauffage. Les instructions d'installation sont fournies avec le kit d'admission d'air. Vous trouverez ci-dessous une liste d'indicateurs possibles indiquant qu'une source d'air de combustion extérieur peut être nécessaire.

- Votre poêle ne tire pas régulièrement, il y a de la fumée, le bois brûle mal ou des contre-courants d'air se produisent, qu'il y ait ou non combustion.

F	Paroi latérale gauche au poêle	8 po	203 mm
G	Mur arrière au poêle	2 po	51 mm
H	Mur arrière au conduit *	13-1/2 po	343 mm
J	Mur latéral au conduit *	14-1/2 po	369 mm
K	Hauteur de plafond	36 po	915 mm

- Les équipements à combustible existants dans la maison, tels que les cheminées ou autres appareils de chauffage, sentent, ne fonctionnent pas correctement, souffrent de dégagement de fumée lorsqu'ils sont ouverts ou de courants d'air en retour se produisent, qu'il y ait ou non combustion.
- Ouvrir légèrement une fenêtre un jour calme (sans vent) atténue l'un des symptômes ci-dessus.
- La maison est équipée d'un pare-vapeur bien scellé et de fenêtres bien ajustées et / ou possède des appareils électriques qui évacuent l'air de la maison.
- Il y a une condensation excessive sur les fenêtres en hiver.
- Un système de ventilation est installé dans la maison.

ATTENTION:
NE PAS VENTILER SOUS UNE PORCHE, UNE PONT, UN AUVENT OU DANS TOUTE ZONE SEMI-CLOS OU TOIT. LE FAIRE PEUT ENTRAÎNER UN FLUX D'AIR IMPRÉVISIBLE AU BOUCHON D'ÉVENT DANS CERTAINES CONDITIONS ET PEUT AFFECTER LES PERFORMANCES DE VOTRE POÊLE, AINSI QUE D'AUTRES PROBLÈMES INPRÉVISIBLES.

AVERTISSEMENT:
NE PAS RACCORDER OU UTILISER EN CONJONCTION AVEC TOUT TRAVAIL DE CONDUIT DE DISTRIBUTION D'AIR SAUF APPRUVÉ SPÉCIFIQUEMENT POUR UNE TELLE INSTALLATION.

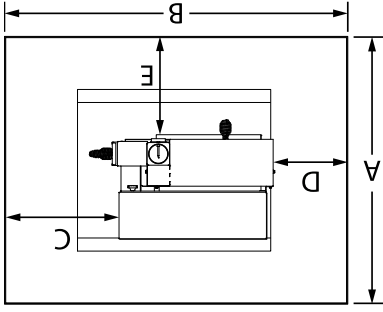
Les systèmes de cheminée plus hauts et plus longs peuvent nécessiter un régulateur de tirage barométrique qui doit être installé immédiatement au dessus du poêle afin de contrôler le poêle dans la plage de chaleur de 400 degrés car vous pourriez faire l'expérience d'un tirage d'air excessif et le poêle commencera à surchauffer.

Ce poêle est approuvé pour les maisons mobiles (E-U-UNIQUEMENT). Les maisons mobiles ont besoin d'air extérieur, utilisez un évent avec un tuyau rigide ou flexible connecté au poêle et un capuchon de ventilation extérieur. Le poêle doit être fixé au sol et mis à la terre avec un fil de calibre 8. L'installation dans une mobile home/transportable building doit être effectuée conformément à la norme sur les maisons et la sécurité fabriquées (HUD), CFR 3280, partie 24. Seul un évent à granules approuvé peut être utilisé. L'installation de la cheminée doit permettre son retrait en cas de transport en mobile home/transportable building, en particulier les connexions extérieures. Vous pouvez contacter votre autorité de construction locale ou une personne ayant juridiction sur les restrictions de hauteur.

FIXATION DE L'APPAREIL AU SOL

Fixez solidement ce poêle au plancher en vissant des tire-fonds de 1/4 po à travers le plancher dans les trous de nivellement des pieds.

EXIGENCES DE MATÉRIAU NON COMBUSTIBLE 3/8 po (10 mm)			
A	Longueur	31 po	787 mm
B	Largeur	USA	48 po
		CAN	50 po
C	Côté droit	USA	16 po
		CAN	18 po
D	Côté gauche	8 po	203 mm
E	De face	8 po	203 mm



type 1.

Un tampon ininflammable doit être installé qui respecte le protecteur de plancher fabriqué conforme à la norme UL 1618, qui fournit au minimum une protection contre les braises de



EXIGENCES EN MATIÈRE DE PROTECTION DE PLANCHER

<https://www.wettinc.ca/>

<https://nfi-certified.org>,

US Stove recommande fortement que votre poêle soit installé par un technicien qualifié NFI (US) ou WETT (Canada). Pour trouver l'installateur qualifié le plus proche, accédez à:

We recommend that our woodburning hearth products be installed and serviced by professionals who are certified in the U.S. by the National Fireplace Institute® (NFI) as NFI Woodburning Specialists or who are certified in Canada by Wood Energy Technical Training (WETT).

www.nfi-certified.org

MISE EN GARDE:

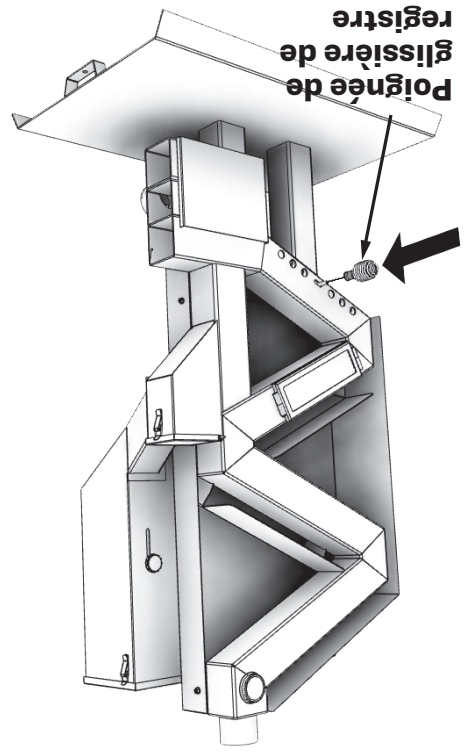
NE JAMAIS UTILISER D'ESSENCE, DE CARBURANT À LANTERNE DE TYPE ESSENCE, DE KÉROÏÈNE, DE LIQUIDE POUR BRIQUET AU CHARBON OU DE LIQUIDES SIMILAIRES POUR ALLUMER OU FRAÎCHIR UN FEU DANS CE POÊLE. GARDER TOUTS CES LIQUIDES ÉLOIGNÉS DU POÊLE PENDANT L'UTILISATION.

AVIS DE SÉCURITÉ

- TOUJOURS LIRE ET SUIVRE LES INSTRUCTIONS POUR UNE UTILISATION ET UN ENTRETIEN SÉCURISÉS DE VOTRE POÊLE.
- LES SURFACES DU POÊLE DEVIENNENT EXTRÊMEMENT CHAUDES!
- SI CE POÊLE N'EST PAS INSTALLÉ CORRECTEMENT, UN INCENDIE PEUT EN RÉSULTER. POUR RÉDUIRE LES RISQUES D'INCENDIE, SUIVEZ LES INSTRUCTIONS D'INSTALLATION.
- CONTACTEZ VOS OFFICIELS DE BÂTIMENT LOCALS POUR OBTENIR UN PERMIS ET DES INFORMATIONS SUR TOUTE RESTRICTION D'INSTALLATION SUPPLÉMENTAIRE OU EXIGENCE D'INSPECTION DANS VOTRE RÉGION.
- SACHEZ QUE LES SURFACES PEUVENT ENCORE ÊTRE CHAUDES PENDANT UNE PÉRIODE PROLONGÉE APRÈS L'ARRÊT DU POÊLE.
- NE LAISSEZ JAMAIS DE JEUNES ENFANTS OU ANIMAUX À PROXIMITÉ D'UNE SOURCE DE CHAUFFAGE.
- ÉDUQUEZ VOTRE FAMILLE AVANT DE COMMENCER À UTILISER VOTRE NOUVEAU POÊLE.
- NE JAMAIS BLOQUER LE FLUX D'AIR LIBRE À TRAVERS LES ÉVÉNEMENTS OUVERTS DU POÊLE.
- NE PLACEZ PAS D'ARTICLES INFLAMMABLES SUR OU À PROXIMITÉ D'UN POÊLE.
- NE PLACEZ JAMAIS D'OBJETS ÉTRANGERS DANS LA TRÉMIE.
- CE POÊLE A ÉTÉ CONÇU ET APPROUVÉ UNIQUEMENT POUR LE BOIS GRANULÉ. TOUT AUTRE TYPE DE COMBUSTIBLE BRÛLÉ DANS CE POÊLE EST INTERDIT.
- NE PAS RACQUORDER CET APPAREIL À LA CHEMINÉE DESSERVANT UN AUTRE APPAREIL.
- CECI EST UN POÊLE À BOIS QUI BRÛLE DU COMBUSTIBLE AUX GRANULES. IL DOIT ÊTRE TRAITÉ COMME UN POÊLE À BOIS. COMME POUR TOUT POÊLE À BOIS, UN NETTOYAGE ET UN ENTRETIEN PÉRIODIQUES SONT NÉCESSAIRES. NE PAS NETTOYER ET ENTREtenir VOTRE POÊLE ET VOTRE CHEMINÉE PEUT ENTRAÎNER DE MAUVAISES PERFORMANCES.
- LAISSEZ TOUJOURS LE POÊLE REFFROIDIR COMPLÈTEMENT AVANT D'EFFECTUER TOUT ENTRETIEN.
- NE PAS INSTALLER DANS UN FOYER CONSTRUIT EN USINE

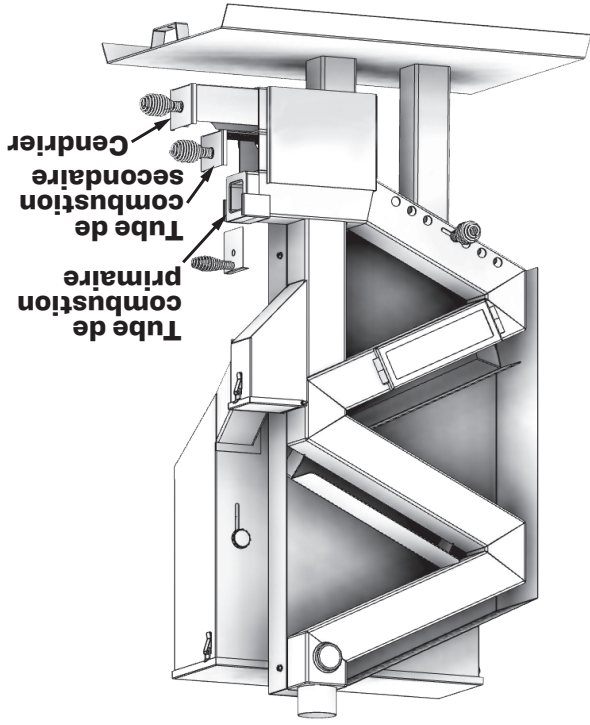
POUR LE SERVICE À LA CLIENTÈLE APPELER: 800-750-2723 EXT 5050

2. Vissez la poignée de la glissière du registre en tournant dans le sens des aiguilles d'une montre.



Installez le tube de combustion principal, la plaque de combustion secondaire et le cendrier.

INSTALLATION DU TUBE DE COMBUSTION ET DU PLATEAU À CENDRES



POUR LE SERVICE À LA CLIENTÈLE APPELER: 800-750-2723 EXT 5050

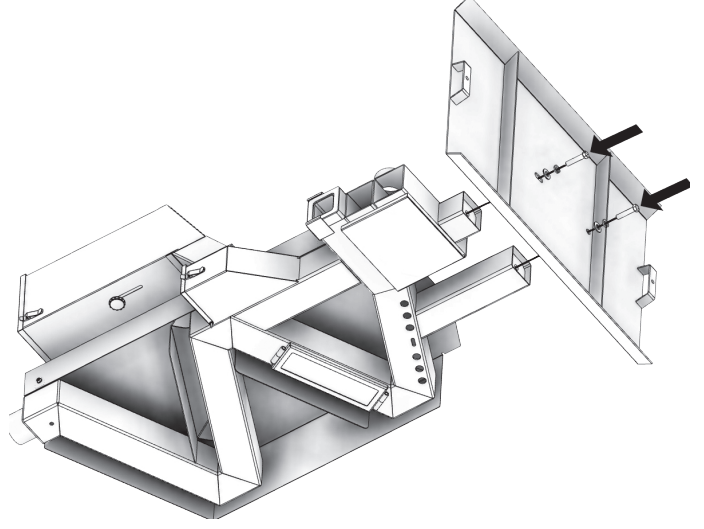
LES ARTICLES NÉCESSAIRES

- Une clé à fourche (plate) de 13 mm (1/2 po)
- Une clé à fourche (plate) de 12 mm (7/16 po)
- Une douille ou clé à cliquet de 20 mm (3/4 po)
- Une visseuse (sans corde, de préférence)
- Un tourne-écrou de 8 mm (5/16 po) (une extension est recommandée)
- Un laser automatique
- Pince à bec effilé

ATTENTION!
CET APPAREIL EST TRÈS LÉGER. LAIDÉ D'UNE DEUXIÈME PERSONNE EST FORTEMENT RECOMMANDÉE. ASSUREZ-VOUS D'UTILISER UNE BONNE TECHNIQUE DE LEVAGE LORSQUE VOUS PLACEZ L'APPAREIL POUR L'ASSEMBLAGE ET L'INSTALLATION.

ASSEMBLAGE DU CORPS PRINCIPAL

1. Préparez une surface de travail solide. Déposez le corps principal du poêle sur la surface de travail. Placez le poêle en position afin que les jambes pendent de la surface d'au moins six pouces.
2. Installez la base tel qu'illustré avec les deux (2) boulons hexagonaux de 12 mm (7/16 po), les deux (2) rondelles plates et deux (2) rondelles de blocage fournies avec votre poêle. Remarque: Une extrémité longue et courte se trouvent à la base. Afin de garantir la stabilité du poêle, l'extrémité longue doit faire face au côté droit du poêle.

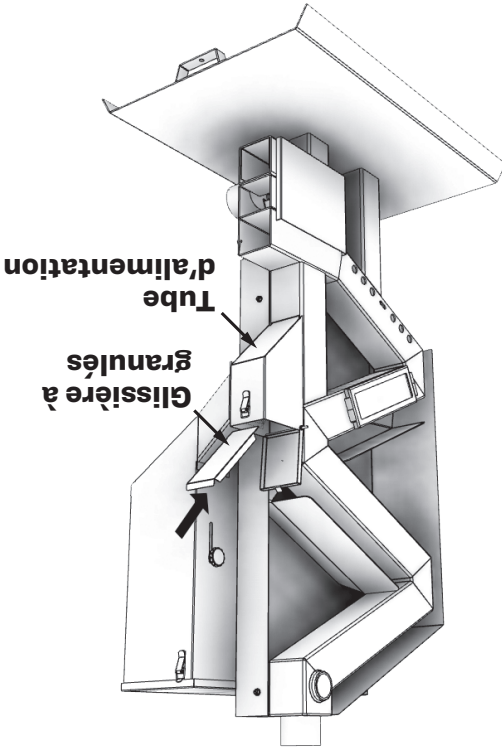
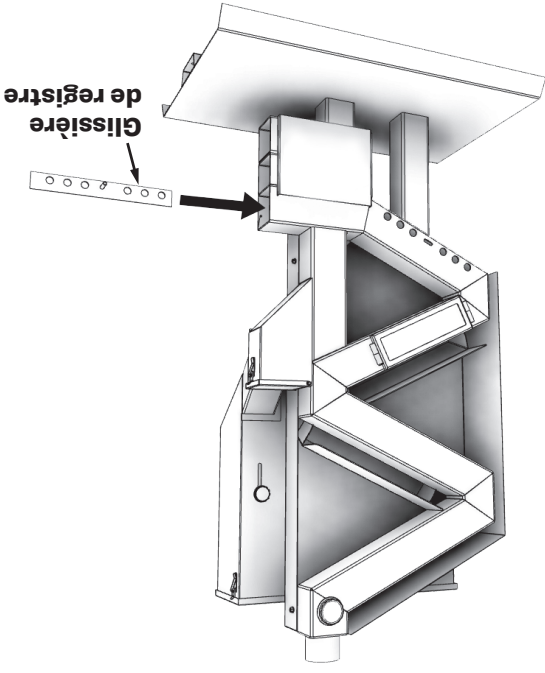


INSTALLATION DE LA GLISSIÈRE À GRANULÉS

Installez la glissière à granulés comme indiqué. La goulotte

INSTALLATION DE LA GLISSIÈRE DE REGISTRE

1. Insérez la glissière du registre en place; cela ne conviendra que dans un seul sens.



(extrémité plate) entrera en premier. La glissière à granulés glissera et s'installera au bas du tube d'alimentation.

LISTE DE CONTRÔLE D'INSTALLATION



Votre poêle à bois ne doit être installé que par un installateur qualifié NFI est disponible à l'adresse www.nficertified.org/public/find-an-nfi-pro/

SERVICE CLIENTS

1-800-750-2723 poste 5050

Texte au 423-301-5624

E-mail à: customerservice@usstove.com

LISTE DE CONTRÔLE DE MISE EN SERVICE

Cette liste de contrôle doit être remplie intégralement par la personne qualifiée qui installe cet appareil. Conservez cette page pour référence future.

Le fait de ne pas installer et mettre en service selon les instructions du fabricant et de remplir cette liste de contrôle annulera la garantie.

S'il te plaît imprime

Nom du client:		Numéro de téléphone:	
Adresse:			
Modèle:			
Numéro de série:			
Nom de la société d'installation:		Numéro de téléphone:	
Nom du technicien d'installation:		Numéro de licence:	

DESCRIPTION DU TRAVAIL

Emplacement de l'appareil installé: _____

Système de ventilation: nouveau système de ventilation Oui Non Si oui, marque _____

Si non, date d'inspection du système de ventilation existant: _____

MISE EN SERVICE

Confirmer l'installation du tapis de foyer conformément aux instructions d'installation

Confirmer le bon placement des pièces internes.....

Vérifier la solidité du joint de porte et des joints de porte.....

Confirmer les dégagements aux combustibles selon les instructions d'installation de ce manuel.....

Vérifier le fonctionnement des commandes pneumatiques

Confirmez que le système de ventilation est sécurisé et scellé.....

Confirmer que le poêle démarre et fonctionne correctement

Assurez-vous qu'un avertisseur de CO est installé conformément aux codes du bâtiment locaux et qu'il est fonctionnel.....

Expliquer le fonctionnement en toute sécurité, l'utilisation appropriée du carburant, le nettoyage et les exigences d'entretien de routine.....

Déclaration d'achèvement: En tant que personne qualifiée responsable des travaux décrits ci-dessus, je confirme que l'appareil en tant que travail associé a été installé selon les instructions du fabricant et en suivant les codes de construction et d'installation applicables.

Signé: _____

Nom en lettres moulées: _____

Date: _____

Propriétaire du domicile: CONSERVEZ CETTE INFORMATION POUR RÉFÉRENCE FUTURE

Ce manuel décrit l'installation et l'utilisation du poêle à bois Wiseway GW1949. Ce poêle est conforme aux limites d'émissions de bois imposées par la US Environmental Protection Agency pour les poêles à bois vendus après le 15 mai 2020. Dans des conditions de test spécifiques, il a été démontré que ce poêle produisait de la chaleur à des taux allant de 12 706 à 27 220 Btu / h et 0,8g / h et 70% d'efficacité.

Spécifications De Chauffage	
Taux de consommation de carburant estimé* (au réglage le plus faible)	2 livres/heure
Durée de combustion estimée (au réglage le plus faible)	30 heures
Capacité de la trémie *	Jusqu'à 60 livres (27 kg)
Dimensions	
Hors tout: Hauteur x Largeur x Profondeur	50 po X 24 po X 15 po (1270 mm X 610 mm X 381 mm)
Poids	131 lb (59,5 kg)

AVERTISSEMENT:
IL EST CONTRAIRE À LA RÉGLEMENTATION FÉDÉRALE D'UTILISER CE POÊLE À BOIS D'UNE MANIÈRE INCOMPATIBLE AVEC LES INSTRUCTIONS D'UTILISATION DU MANUEL DU PROPRIÉTAIRE.



Remarque: Enregistrez votre produit en utilisant votre téléphone intelligent avec le code QR. Conservez vos reçus avec vos dossiers pour toute réclamation au titre de la garantie. Vous pouvez également enregistrer votre produit en ligne sur www.usstove.com/support/product-registration / OU en téléchargeant l'application US Stove Company disponible pour iOS et Android.

Pour le service client, veuillez appeler:
1-800-750-2723 poste 5050 ou:
Texte au 423-301-5624 ou:
Ecrivez-nous à:
customerservice@usstove.com

Manuel d'instructions et d'utilisation du propriétaire



Numéro De Modèle:
PFS
c us

Signaler Le Numéro: F20-572

Certifié UL1482-2022 et Certifié

CAN/U/LC S627:2023

Maisons Mobiles / Bâtiments

Portatifs Approuvé

Brevet américain US7861707B2

* Toutes les images de ce manuel sont à des fins d'illustration uniquement. Le produit réel peut varier.



Conservez ces instructions dans un endroit sûr pour référence ultérieure.

AVIS DE SÉCURITÉ: Si ce radiateur n'est pas correctement installé, un incendie peut en résulter. Pour votre sécurité, suivez les instructions d'installation. N'utilisez jamais de compromis de fortune lors de l'installation de ce radiateur. Contactez les responsables locaux du bâtiment ou des pompiers pour connaître les permis, les restrictions et les exigences d'installation dans votre région. **NE JAMAIS UTILISER CE PRODUIT SANS SURVEILLANCE.**



MISE EN GARDE! Veuillez lire l'intégralité de ce manuel avant d'installer ou d'utiliser votre nouveau radiateur. Le non-respect des instructions peut entraîner des dommages matériels, des blessures corporelles ou même la mort. Une installation incorrecte pourrait annuler votre garantie!



AVERTISSEMENT SUR LA PROPOSITION 65 DE LA CALIFORNIE:
Ce produit peut vous exposer à des produits chimiques, y compris le monoxyde de carbone, qui est connu dans l'État de Californie pour provoquer le cancer, des anomalies congénitales et / ou d'autres troubles de la reproduction. Pour plus d'informations, visitez www.P65warnings.ca.gov

AGENCE AMÉRICAINE DE PROTECTION DE L'ENVIRONNEMENT
Certifié conforme aux normes d'émissions de particules 2020.

Ne pas installer dans une chambre à coucher
Cet appareil n'est pas conçu pour être utilisé comme source principale de chaleur.

CE MANUEL EST SUJET À MODIFICATION SANS PRÉAVIS.