

# Owner's Instruction and Operation Manual

**UNITED STATES  
STOVE CO.**

EST<sup>d</sup> 1869

Model Number:

**US1269E**

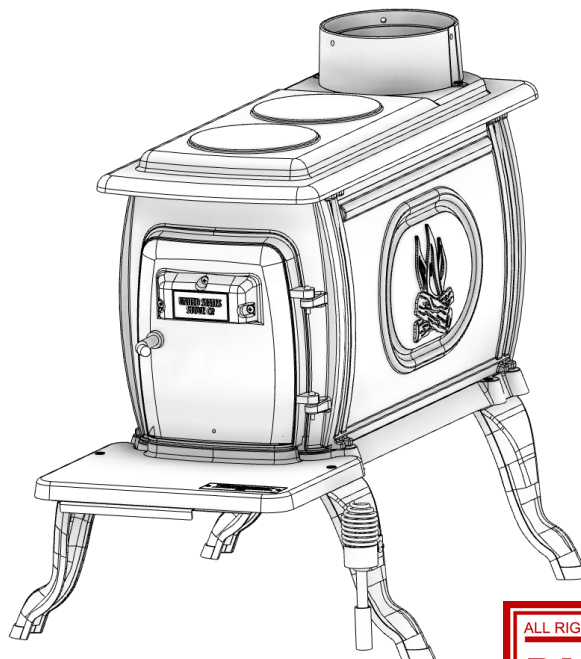


Report Number: F19-526

Certified to UL1482-2022

CAN/ULC S627:2023

Do not use this heater  
in a mobile home.



\* All Pictures In This Manual Are For Illustrative Purposes Only. Actual Product May Vary.

853614K-1903N

Save These Instructions In A Safe Place For Future Reference.



**SAFETY NOTICE:** If this heater is not properly installed, a house fire may result. For your safety, follow the installation instructions. Never use make-shift compromises during the installation of this heater. Contact local building or fire officials about permits, restrictions and installation requirements in your area. **NEVER OPERATE THIS PRODUCT WHILE UNATTENDED.**



**CAUTION!** Please read this entire manual before you install or use your new room heater. Failure to follow instructions may result in property damage, bodily injury, or even death. Improper Installation Will Void Your Warranty!

## U.S. Environmental Protection Agency

Certified to comply with 2020 particulate emission standards for single burn rate heaters. This single burn rate wood heater is not approved for use with a flue damper.



## CALIFORNIA PROPOSITION 65 WARNING:

This product can expose you to chemicals including carbon monoxide, which is known to the State of California to cause cancer, birth defects, and/or other reproductive harm. For more information, go to [www.P65warnings.ca.gov](http://www.P65warnings.ca.gov)

THIS MANUAL IS SUBJECT TO CHANGE WITHOUT NOTICE.

The instructions pertaining to the installation of your wood stove comply with UL & ULC standards. This manual describes the installation and operation of the United States Stove Company Model US1269E woodheater. This heater meets the 2020 U.S. Environmental Protection Agency’s crib wood emission limits for woodheaters sold after May 15, 2020. Under specific EPA test conditions burning Douglas Fir dimensional lumber this heater has been shown to deliver heat at a rate of 29,234 to 26,300 Btu/hr. This heater achieved a particulate emissions rate of 1.8 g/hr when tested to method ASTM E2780-10 single Burn Rate Appendix (\*and an efficiency of 67%.)

Combustible:	Wood
Colors:	Flat Black
Flue Pipe Diameter:	6" (15.3 cm)
Flue Pipe Type: (Standard Single Wall):	Black or Blued Steel 2100°F (650°C)
Minimum Chimney Height:	12' (3.7 m)
Maximum Log Length:	19" (483 mm)
Electrical:	None
Dimensions	
Overall ( Depth x Width x Height ):	32" x 23" x 25.75" (813 mm X 585 mm X 653 mm)
Combustion Chamber: Width x Depth:	9" x 19" (229 mm X 482 mm)
Volume: Cubic Feet:	1.2 cubic feet
Door Opening:	7.5" x 9" (191 mm X 230 mm)
Weight (lbs):	121 lbs (54.8kg)

### CAUTIONS:

- **HOT WHILE IN OPERATION. KEEP CHILDREN, CLOTHING AND FURNITURE AWAY. CONTACT MAY CAUSE SKIN BURNS.**
- **DO NOT USE CHEMICALS OR FLUIDS TO IGNITE THE FIRE.**
- **DO NOT LEAVE THE STOVE UNATTENDED WHEN THE DOOR IS SLIGHTLY OPENED.**
- **DO NOT BURN GARBAGE, FLAMMABLE FLUID SUCH AS GASOLINE, NAPHTHA OR MOTOR OIL.**
- **DO NOT CONNECT TO ANY AIR DISTRIBUTION DUCT OR SYSTEM.**
- **ALWAYS CLOSE THE DOOR AFTER THE IGNITION.**



**Note:** Register your product by using your smart phone with the QR code. Save your receipts with your records for any warranty claims.

You can also register your product online at [www.usstove.com/support/product-registration](http://www.usstove.com/support/product-registration) / OR by downloading the US Stove Company app available for iOS and Android.

**For Customer Service, please call:**  
**1-800-750-2723 Ext 5050 or;**  
**Text to 423-301-5624 or;**  
**Email us at:**  
**customerservice@usstove.com**

# INSTALLATION CHECKLIST



Your Wood Stove should be installed by a qualified installer only. An NFI qualified Installer can be found at [www.nficertified.org/public/find-an-nfi-pro/](http://www.nficertified.org/public/find-an-nfi-pro/)

## CUSTOMER SERVICE

1-800-750-2723 ext 5050  
Text to 423-301-5624  
Email to: [Customerservice@usstove.com](mailto:Customerservice@usstove.com)

## COMMISSIONING CHECKLIST

This checklist is to be completed in full by the qualified person who installs this unit. Keep this page for future reference. Failure to install and commission according to the manufacturer's instructions and complete this checklist will invalidate the warranty.

Please Print

Customer Name:	Telephone Number:
Address:	
Model:	
Serial Number:	
Installation Company Name:	Phone Number:
Installation Technician's Name:	License Number:

## DESCRIPTION OF WORK

Location of installed appliance: \_\_\_\_\_

Chimney System: New Chimney System  Yes  No If yes, Brand \_\_\_\_\_

If no, Date of inspection of the existing chimney system: \_\_\_\_\_

## COMMISSIONING

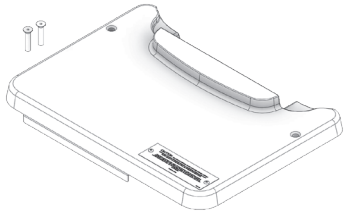
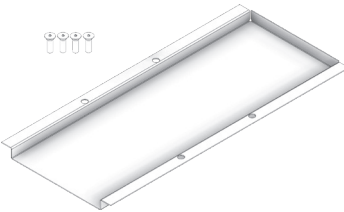
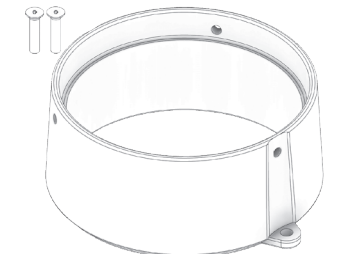
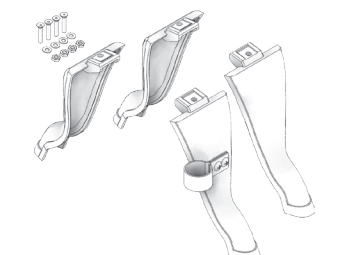
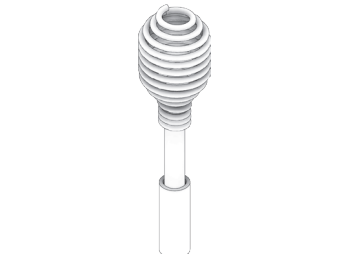
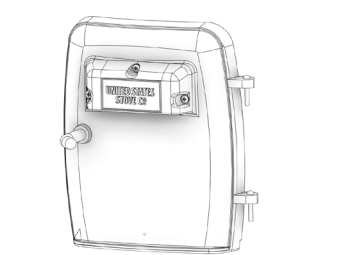
- Confirm Hearth Pad Installation as per Installation Instructions.....
- Confirm proper placement of internal parts.....
- Check soundness of door gasket and door seals .....
- Confirm clearances to combustibles as per installation instructions in this manual .....
- Check the operations of the air controls.....
- Confirm all flue pipe and chimney system are secure and sealed.....
- Confirm the stove properly drafts when fired.....
- Check to ensure a CO alarm is installed as per local building codes and is functional .....
- Explain the safe operation, proper fuel usage, cleaning and routine maintenance requirements.....

Declaration of Completion: As the qualified person responsible for the work described above, I confirm that the appliance as associated work has been installed as per manufacturer's instructions and following any applicable building and installation codes.

Signed: \_\_\_\_\_ Print Name: \_\_\_\_\_ Date: \_\_\_\_\_

**Home Owner: RETAIN THIS INFORMATION FOR FUTURE REFERENCE**

Remove the following items located inside the firebox of this stove:

	Description	Qty
	Hearth	1
	Bottom Channel	1
	Flue Collar	1
	Legs	4
	Handle Assembly	1
	Door Assembly	1

## REQUIRED TOOLS AND MATERIALS

Note: the following items are not included with your stove

- Safety Glasses
- Hearth Gloves
- Pencil
- 6' Folding Ruler or Tape Measure
- Tin Snips
- Drill
- 1/8" dia. Drill Bit
- Adjustable Wrench
- #2 philips screw driver
- Chimney Connector
- 1/2" Sheet Metal Screws
- Chimney
- Furnace Cement
- Flooring protector as specified

**NOTICE:**

**UNITED STATES STOVE COMPANY GRANTS NO WARRANTY, STATED OR IMPLIED, FOR THE INSTALLATION OR MAINTENANCE OF YOUR WOOD STOVE AND ASSUMES NO RESPONSIBILITY OF ANY INCIDENTAL OR CONSEQUENTIAL DAMAGES.**

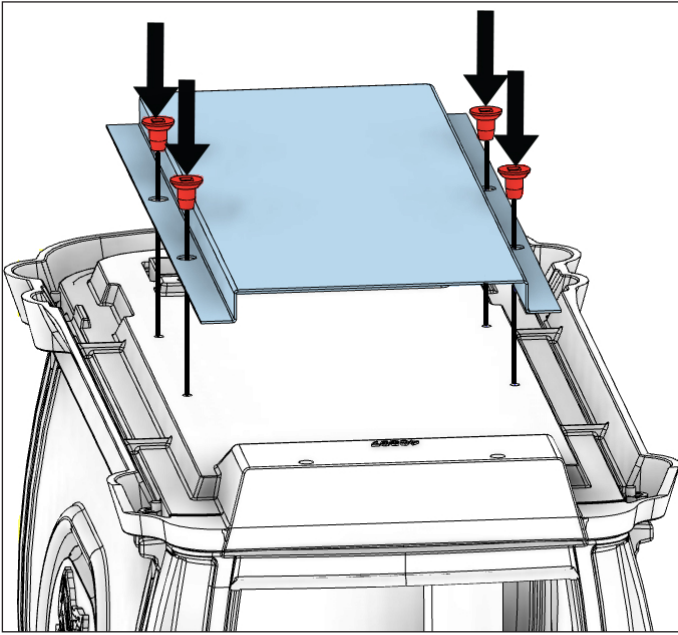
**CAUTION:**

**STOVE IS HEAVY. MAKE SURE YOU HAVE ADEQUATE HELP AND USE PROPER LIFTING TECHNIQUES WHENEVER MOVING STOVE.**

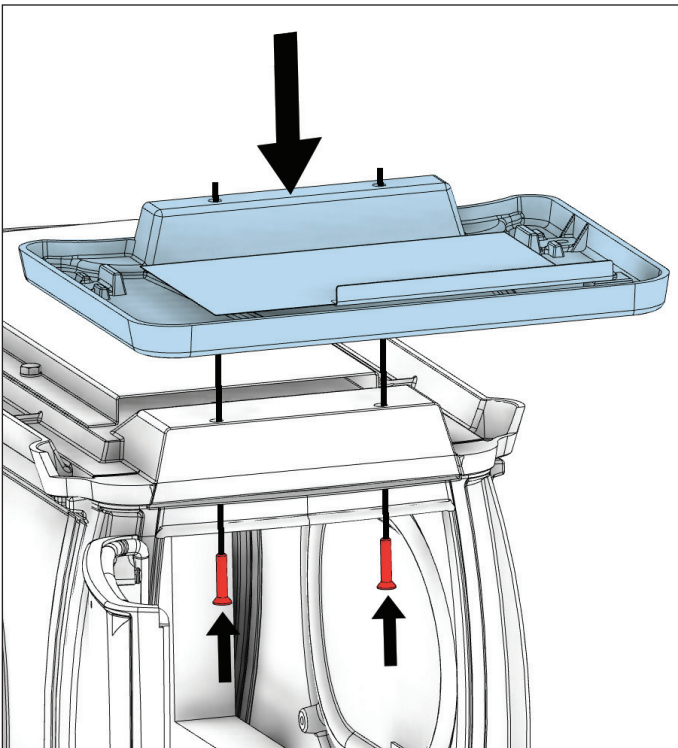
1. Uncrate the stove and remove packing materials and protective poly bag (save cardboard box for further assembly).
2. Remove parts from inside of the stove.
3. Place flattened carton on the floor and carefully turn stove over onto carton.
4. Attach the bottom air channel with four (4) M6 X 15 screws. Use the provided small hex key tool to thoroughly tighten each screw.



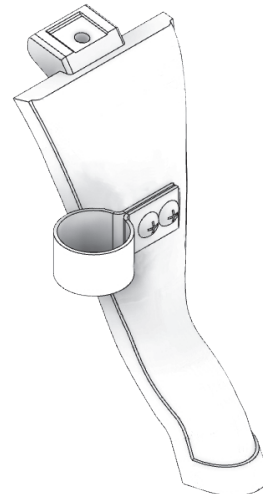
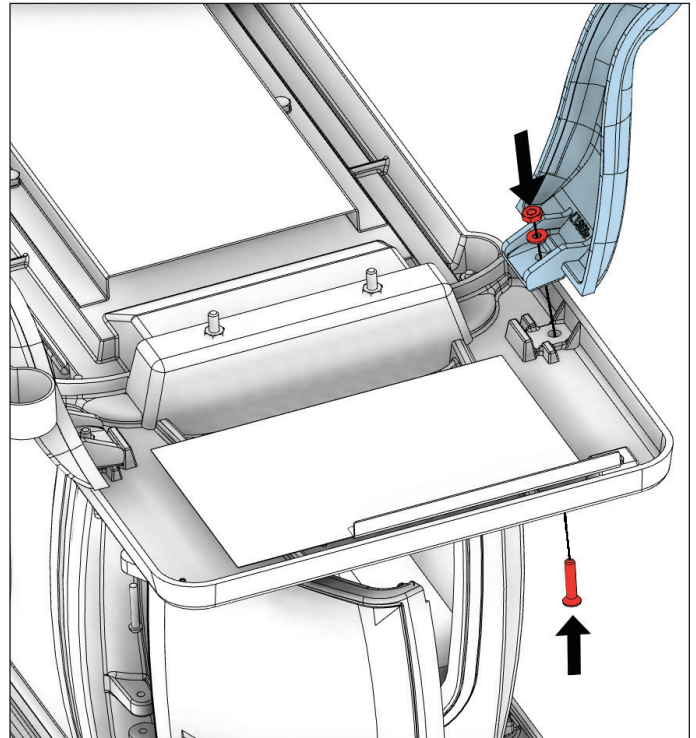
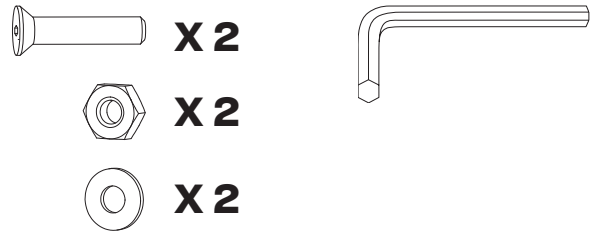
# ASSEMBLY INSTRUCTIONS



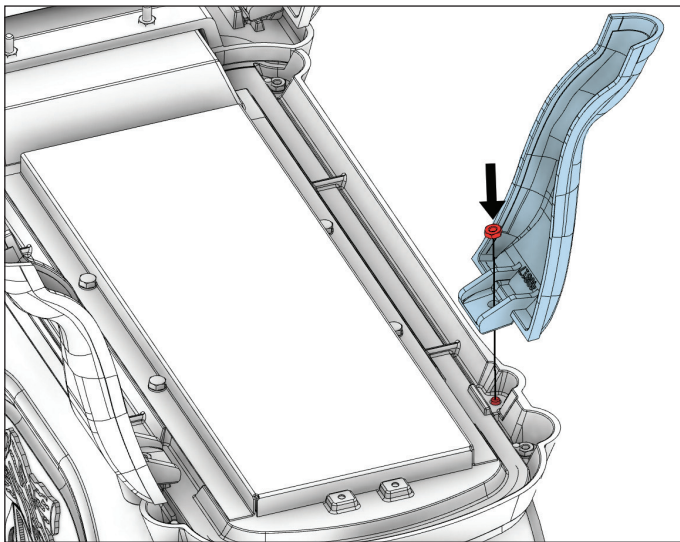
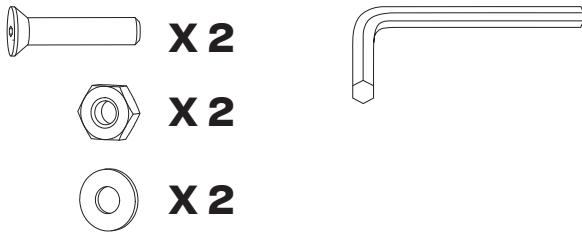
5. Attach the hearth to the bottom of the stove using two (2) M8 x 25 screws. Use the provided large hex key tool to thoroughly tighten each screw.



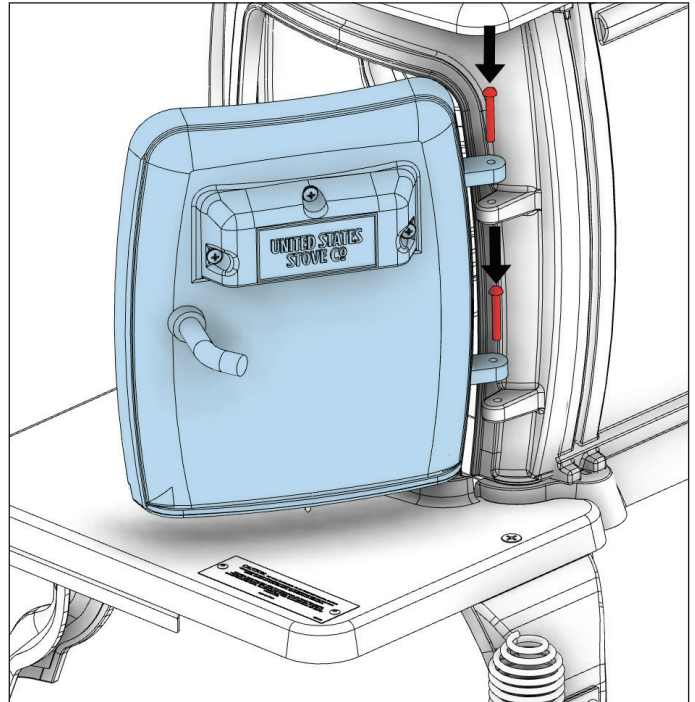
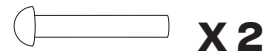
6. Attach the front legs to the hearth with two (2) M8 x 45 screws, nuts, and washers. Use the provided large hex key tool to thoroughly tighten each screw. NOTE: Only one leg is equipped with a handle bracket. This bracketed leg is designed to be installed at the front right side of the unit.



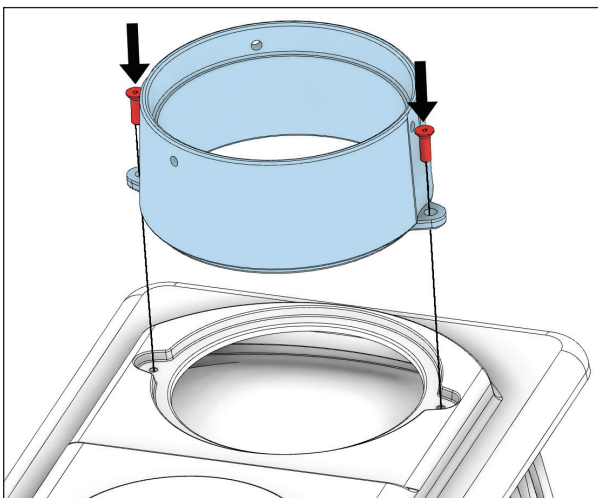
7. Attach the rear legs to the base of the stove with two (2) M8 X 45 screws, nuts, and washers. Use the provided large hex key tool to thoroughly tighten each screw.



9. Lower the feed door into position while aligning hinge pins.



8. Carefully lift the stove upright and place it in the desired location. Align the holes on the flue collar to the holes on the stove and attach using (2) two M6 X 15 screws. Use the provided small hex key tool to thoroughly tighten each screw.



FOR CUSTOMER SERVICE CALL: 800-750-2723 EXT 5050

## SAFETY NOTICE

- IF THIS STOVE IS NOT PROPERLY INSTALLED, A HOUSE FIRE MAY RESULT. TO REDUCE THE RISK OF FIRE, FOLLOW THE INSTALLATION INSTRUCTIONS.
- CONSULT YOUR MUNICIPAL BUILDING DEPARTMENT OR FIRE OFFICIALS ABOUT PERMITS, RESTRICTIONS AND INSTALLATIONS REQUIREMENTS IN YOUR AREA.
- USE SMOKE DETECTORS IN THE ROOM WHERE YOUR STOVE IS INSTALLED.
- KEEP FURNITURE AND DRAPES WELL AWAY FROM THE STOVE.
- NEVER USE GASOLINE, GASOLINE-TYPE LANTERN FUEL, KEROSENE, CHARCOAL LIGHTER FLUID, OR SIMILAR LIQUIDS TO START OR "FRESHEN UP" A FIRE IN THIS HEATER. KEEP ALL SUCH LIQUIDS WELL AWAY FROM THE HEATER WHILE IT IS IN USE.
- DO NOT CONNECT TO OR USE IN CONJUNCTION WITH ANY AIR DISTRIBUTION DUCTWORK
- PROVIDE AIR FOR COMBUSTION FROM OUTSIDE THE HOUSE INTO THE ROOM WHERE THE HEATER IS LOCATED. IF THE INTAKE IS NOT IN THE SAME ROOM, AIR MUST HAVE FREE ACCESS INTO THE ROOM.
- ALWAYS CONNECT THIS HEATER TO A CHIMNEY AND VENT TO THE OUTSIDE. NEVER VENT TO ANOTHER ROOM OR INSIDE A BUILDING. DO NOT CONNECT THIS UNIT TO A CHIMNEY FLUE SERVING ANOTHER APPLIANCE.
- ALL PERSONS, ESPECIALLY CHILDREN, SHOULD BE ALERTED TO HAZARDS FROM HIGH SURFACE TEMPERATURES AND KEPT AWAY WHILE IN OPERATION. SMALL CHILDREN SHOULD NOT BE LEFT UNSUPERVISED WHEN IN THE ROOM WITH THE HEATER.
- THIS HEATER SHOULD NOT BE USED AS A PRIMARY SOURCE OF HEAT.
- DO NOT CONNECT A WOOD BURNING HEATER TO A TYPE B GAS VENT. THIS IS NOT SAFE AND IS PROHIBITED BY THE NATIONAL FIRE PROTECTION ASSOCIATION CODE. THIS HEATER REQUIRES APPROVED MASONRY OR UL, ULC LISTED RESIDENTIAL TYPE AND BUILDING HEATING APPLIANCE CHIMNEY. USE A 6" DIAMETER CHIMNEY, OR LARGER, THAT IS HIGH ENOUGH TO GIVE A GOOD DRAFT.

## SAFETY NOTICE

- THIS ROOM HEATER SHALL NOT BE INSTALLED IN A FACTORY-BUILT FIREPLACE.



We recommend that our woodburning hearth products be installed and serviced by professionals who are certified in the U.S. by the National Fireplace Institute® (NFI) as NFI Woodburning Specialists or who are certified in Canada by Wood Energy Technical Training (WETT).



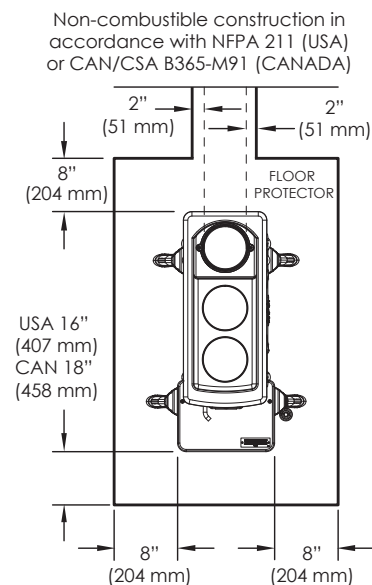
Your heater should be installed by a qualified NFI (US) or WETT (Canada) technician. To find the nearest qualified installer, go to:

<https://nficertified.org>,

<https://www.wettinc.ca/>

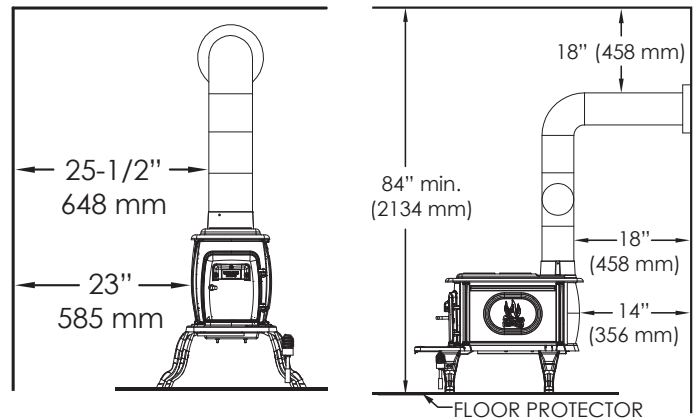
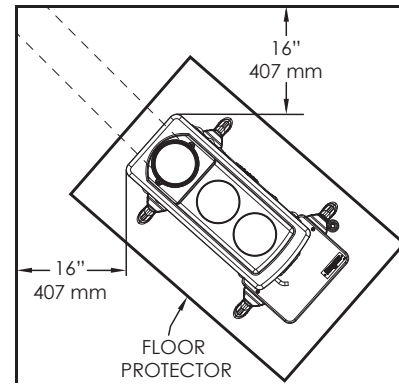
## FLOOR PROTECTOR

Place the heater on solid masonry or solid concrete. When the heater is used on a combustible floor, use an Underwriters Listed floor protector. The floor protector must comply with UL Standards (USA) and CAN/ULC (Canada) and have an R-value of 2.06. The floor protector needs to extend at least 16" (Canada requires 18") beyond the door side of the heater and 8" to each side. It should also extend 8" beyond the rear for Canada. The floor protector needs to extend 2" beyond each side of the flue pipe if it is elbowed towards a wall as well as 2" on each side of the flue for horizontal runs.



## CLEARANCES TO COMBUSTIBLES

- After consulting the installation instructions for minimum clearances to combustibles, locate the floor protector accordingly and carefully place the stove in the selected location. Install stovepipe, elbows, and thimble as necessary, utilizing either a recently cleaned and inspected masonry chimney (properly lined) or a UL, ULC Listed chimney. Ensure that the fixed flue baffle that is provided is installed in the flue collar. This baffle is intended to be in a fixed location for optimal combustion. Do not remove or alter the location of this baffle. It is against federal regulations and will void the warranty.
- Again, check the following illustrations and be sure to have the clearances shown from the heater and the connector pipe to combustible surfaces. If there is a solid brick or stone wall behind the heater, please consult the local building code for specific regulations that may apply in the area. However, if the wall is only faced with brick or stone, consider it a combustible wall. To reduce flue clearances from combustible materials, contact the local safety department.
- If the chimney drafts excessively, purchase and use a Barometric Draft Regulator (DR6 available from United States Stove Company).
- The chimney connection should be as short as possible, and the heater must have its own flue. **DO NOT CONNECT THIS UNIT TO A CHIMNEY FLUE SERVING OTHER APPLIANCES.**
- Use three sheet metal screws in each stove pipe and or elbow joint to firmly hold the pipe together. Seal around the screws
- Do not install this heater in a mobile home or trailer.
- Check with local codes. The installation must comply with their rulings. Observe closely the clearances to combustibles.



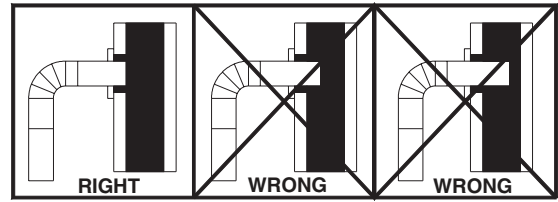
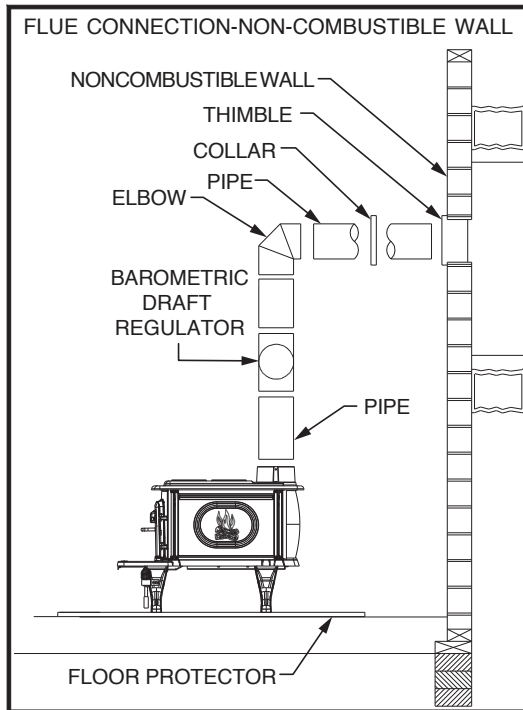
## MASONRY CHIMNEY

The masonry chimney must be code approved and have a flue liner. The masonry chimney must comply with UL, ULC codes. Before using an existing masonry chimney, clean the chimney and inspect the flue liner to be sure it is safe to use. Make repairs before attaching the heater. The connector pipe and fittings you will need to connect directly to a masonry chimney are shown. If the connector pipe must go through a combustible wall before entering the masonry chimney, consult a qualified mason or chimney dealer. The installation must conform to local fire codes, and NFPA 211(USA) or CAN/CSA-B365-M91 (Canada). Do not connect this heater into the same chimney flue as the fireplace or flue from another heater. The chimney used for a heater must not be used to ventilate the cellar or basement. If there is a cleanout opening at the base of the chimney, close it tightly.

### CAUTION!

- **KEEP FURNISHINGS AND OTHER COMBUSTIBLE MATERIALS AWAY FROM THE HEATER.**
- **KEEP THE AREA ADJACENT TO THE HEATER FREE FROM ALL COMBUSTIBLE MATERIALS, GASOLINE, AND OTHER FLAMMABLE VAPORS.**





**WARNING :**  
**THIS SINGLE BURN RATE WOOD HEATER IS NOT APPROVED FOR USE WITH A FLUE DAMPER.**

## RULES FOR CONNECTOR PIPE INSTALLATION

1. The crimped end of the pipe must be installed toward the heater. The pipe should slide into the flue collar. The pipe should be firmly attached to the flue collar with 3 screws and sealed with furnace cement.
2. Slope any horizontal pipe upward toward the chimney at least 1/4" for each foot of horizontal run. The horizontal section must be a minimum of 24" from the stove.
3. You must have at least 18" inches clearance between any horizontal piping and the ceiling.
4. The pipe cannot extend into the chimney flue.
5. Seal each connector pipe joint with furnace cement. Also, seal the pipe at the chimney. Seal the inside with high-temperature silicone and the outside with high-temperature tape.
6. Use 3 sheet metal screws at each joint to make the piping rigid.
7. It is recommended that no more than two (2) 90-degree bends be used in the stove pipe installation as more than two (2) may decrease the amount of draw and possibly cause smoke spillage.

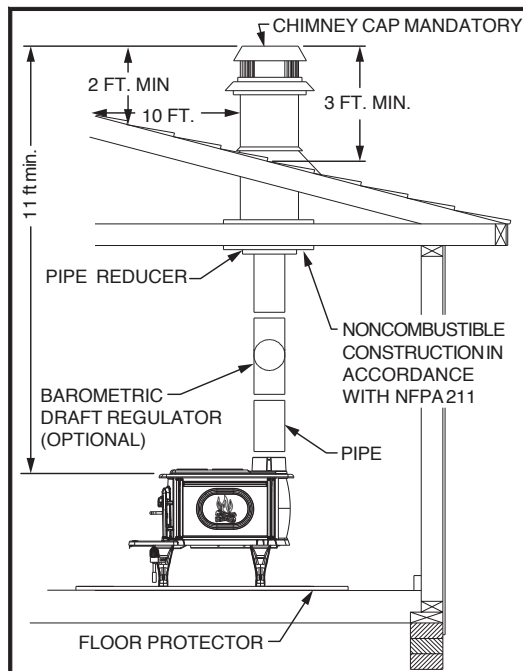
NOTE: The chimney connector shall not pass through an attic, roof space, floor, ceiling, or similar concealed space. Where passage through a wall or partition of combustible construction is desired, the installation must conform with CAN/CSA - B365.

## IMPORTANCE OF PROPER DRAFT

Draft is the force which moves air from the appliance up through the chimney. The amount of draft in your chimney depends on the length of the chimney, local geography, nearby obstructions and other factors. Too much draft may cause excessive temperatures in the appliance. Inadequate draft may cause backpuffing into the room and 'plugging' of the chimney or the catalyst (if equipped). Inadequate draft will cause the appliance to

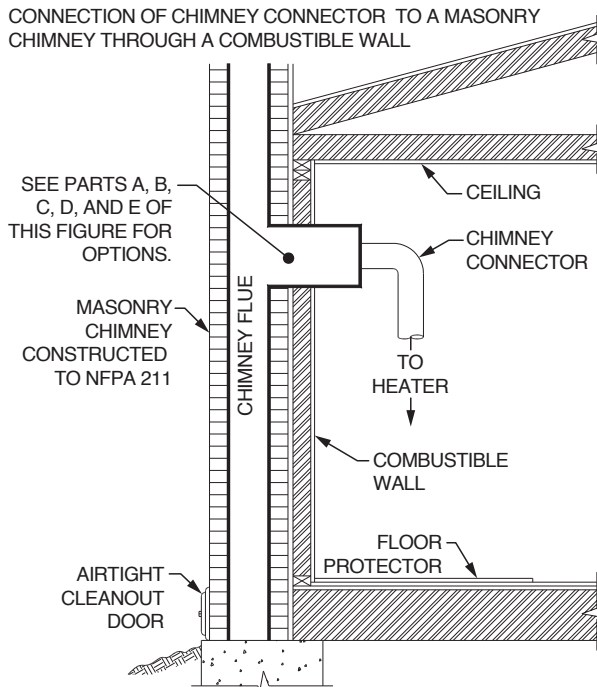
## UL/ULC LISTED CHIMNEY

Carefully follow the chimney manufacturer's instructions. Use only listed 6" UL 103HT/ ULC S629 factory built chimney. The chimney connector should be black or blued 6" with minimum 24 gauge steel. If your chimney starts at the ceiling, you will need enough 6" pipe to reach the ceiling. The top of the chimney must be at least 3 feet above the roof and be at least 2 feet higher than any point of the roof within 10 feet. Use double or triple wall pipe for the exterior portion of the chimney.



leak smoke into the room through appliance and chimney connector joints. An uncontrollable burn or excessive temperature indicates excessive draft.

## CONNECTION OF CHIMNEY CONNECTOR TO A MASONRY CHIMNEY THROUGH A COMBUSTIBLE WALL



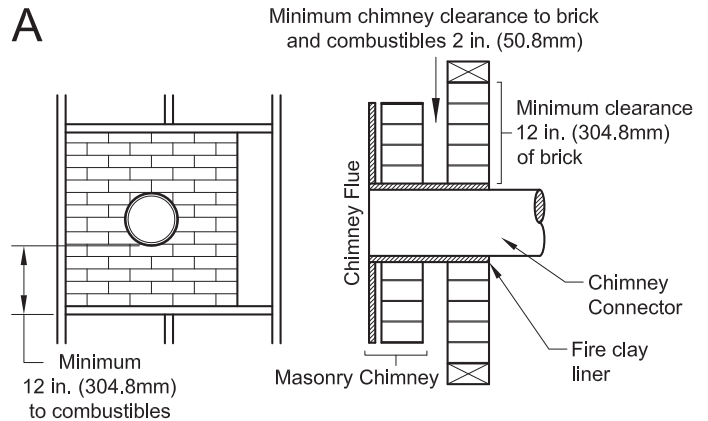
### ATTENTION:

**BE SURE THAT YOUR CHIMNEY IS SAFELY CONSTRUCTED AND IN GOOD REPAIR. HAVE THE CHIMNEY INSPECTED BY THE FIRE DEPARTMENT OR A QUALIFIED INSPECTOR.**

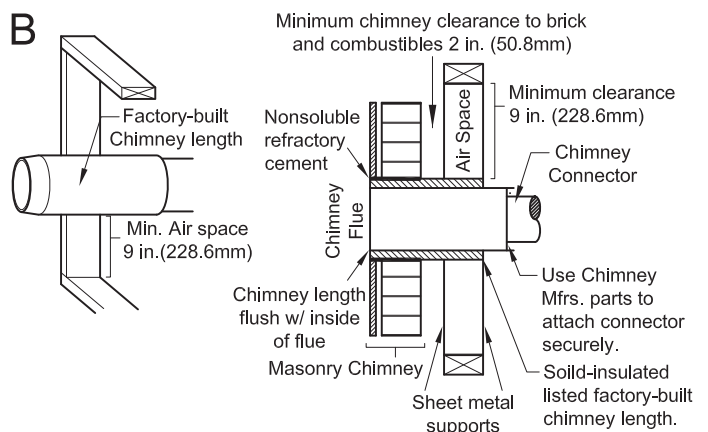
The figures in this manual show how to connect the chimney connector of a heater to a masonry chimney through a combustible wall. There are five allowable ways that a chimney connector can be connected to a masonry chimney by passing through a combustible wall. NFPA Standard 211 allows the following wall pass-through systems.

1. Use a minimum 3-1/2" thick brick masonry wall framed into the combustible wall. A fireclay liner (ASTM C315 or equivalent) having a 5/8" minimum wall thickness must be used and it must be at least 12" away from any material that could catch fire. The inside diameter of the fireclay liner shall be sized for the proper snug fit of a 6" diameter chimney connector pipe. The fireclay liner shall run from the outer surface of the brick wall to, but not beyond, the

inner surface of the chimney flue and shall be firmly cemented in place.

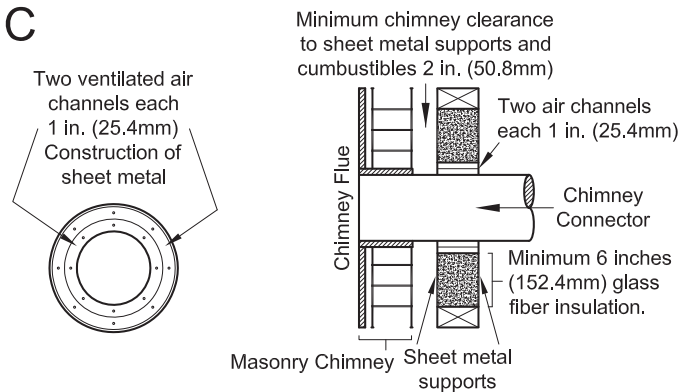


2. Use a solid insulated listed factory-built chimney length having an inside diameter of 6" and 1" or more of solid insulation. There must be at least a 9" air space between the outer wall of the chimney length and any combustible materials. The inner end of the chimney length shall be flush with the inside of the masonry chimney, the flue shall be sealed to the flue and to the brick masonry penetration with non-water-soluble refractory cement. Sheet steel supports which are at least 24 gauge(0.024") in thickness shall be securely fastened to wall surfaces on all sides. Fasteners between supports and the chimney length shall not penetrate the chimney liner.

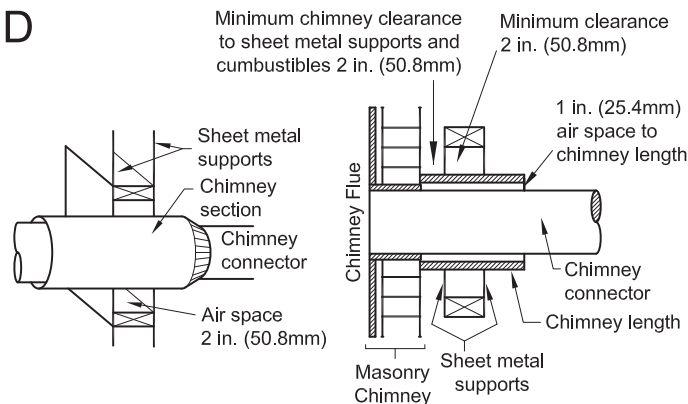


3. Use a 10" diameter ventilated thimble made of at least 24 gauge(0.024") steel having two 1" air channels. The ventilated thimble must be separated from combustible materials by a minimum of 6" glass fiber insulation. The opening in the combustible wall shall be covered and the thimble supported with sheet steel supports which are at least 24 gauge (0.024") in thickness. The sheet steel supports shall be securely fastened to wall surfaces on all sides and

shall be sized to fit and hold the chimney section. Fasteners used to secure chimney sections shall not penetrate chimney flue liner.



- Use an 8" inside diameter solid insulated listed factory-built chimney length which has 1" or more of solid insulation. The minimum length of this chimney section shall be 12" and will serve as a pass-through for the 6" diameter chimney connector. There must be at least a 12" air space between the outer wall of the chimney section and any combustible materials. The chimney section shall be concentric with and spaced 1" away from the chimney connector by means of sheet steel support plates on both ends of the chimney section. The opening in the combustible wall shall be covered and the chimney section supported on both sides with sheet steel supports which are at least 24 gauge (0.024") in thickness. The sheet steel supports shall be securely fastened to wall surfaces on all sides and shall be sized to fit and hold the chimney section. Fasteners used to secure chimney sections shall not penetrate chimney flue liner.



- A listed factory-built wall pass-through system may be purchased and installed according to the instructions packaged with it to provide a safe method of passing the chimney connector through

a combustible wall for connection to a masonry chimney.

## ADDITIONAL REQUIREMENTS

- Insulation material used as part of wall pass-through system shall be of noncombustible material and shall have a thermal conductivity of  $1.0 \text{ Btu} \cdot \text{in.}/\text{ft.}^2 \cdot ^\circ\text{F}$  ( $4.88 \text{ kg} \cdot \text{cal}/\text{hr} \cdot \text{m}^2 \cdot ^\circ\text{C}$ ) or less
- All clearances and thicknesses are minimums: larger clearances and thickness are acceptable.
- A chimney thimble, as shown for 3" and 4" above (Parts C and D respectively of Figure 8) shall be for types "3" and "4" connections to facilitate removal of the chimney connector for cleaning. The chimney thimble shall be of ASTM C315 fireclay with 5/8" minimum wall thickness, or material of equivalent durability. The inside diameter of the thimble shall be sized for the proper snug fit of a 6" diameter chimney connector pipe. The thimble shall be installed without damage to the chimney flue. The thimble shall extend through the chimney wall to, but not beyond, the inner surface of the chimney flue and shall be permanently cemented in place with high temperature cement.
- A chimney connector to a masonry chimney, except for 2" above (Part B of Figure 8), shall extend through the wall pass-through system to the inner face of the chimney flue, but not beyond. It does not have to be fastened in place so long as it cannot accidentally be pulled out of the chimney or shoved into the chimney flue. If fasteners are used to secure the chimney connector to a masonry chimney, the fasteners shall not penetrate the chimney flue liner.
- Any material used to close up any opening for the connector shall be noncombustible.

## PART E

In addition to the methods shown by A, B, C, and D, a listed factory-built wall pass-through system may be purchased and installed according to the instructions packaged with it to provide a safe method of passing chimney connector through a combustible wall for a connection to a masonry chimney.

### CONNECTION OF CHIMNEY CONNECTOR TO A MASONRY CHIMNEY WHEN CHIMNEY CONNECTOR DOES NOT PASS THROUGH A COMBUSTIBLE WALL

If the chimney connector does not have to pass through a combustible wall to get to a masonry chimney, simply connect the chimney connector directly to the masonry chimney's chimney thimble as described and shown by parts C and D. Remember, the chimney connector should

extend into the chimney thimble to the inner face of the chimney flue but not beyond; if the chimney connector is extended through the chimney thimble into the chimney flue, resistance to the flow of smoke and gases up the chimney will occur; that flow resistance will have an adverse affect on the operation and performance of the heater and venting system.

**CAUTION!**

**USE WOOD OR WOOD-LIKE MATERIALS ONLY. DO NOT USE COAL OR CHARCOAL. COAL OR CHARCOAL WILL DESTROY THE FIREBOX. DO NOT USE DRIED LUMBER OR TREATED WOOD.**

**WARNING!**

**NEVER STORE FLAMMABLE LIQUIDS, ESPECIALLY GASOLINE. IN THE VICINITY OF THE HEATER. DO NOT OBSTRUCT THE SPACE BENEATH THE HEATER NEVER OPERATE THIS HEATER WITH THE FUEL DOOR OPEN. USE ONLY THE LEGS PROVIDED WITH THIS HEATER. REFER TO THE "INSTALLATION" SECTION OF THIS MANUAL.**

**NOTE:**

**DO NOT ELEVATE FIRE OR USE WITH A GRATE, BUILD FIRE DIRECTLY ON THE HEARTH.**

**CAUTION!**

- **HOT WHILE IN OPERATION. KEEP CHILDREN, CLOTHING AND FURNITURE AWAY. CONTACT MAY CAUSE SKIN BURNS**
- **DO NOT BURN GARBAGE OR FLAMMABLE FLUIDS SUCH AS GASOLINE, NAPHTHA OR ENGINE OIL**
- **NEVER USE GASOLINE, GASOLINE-TYPE LANTERN FUEL, KEROSENE, CHARCOAL LIGHTER FLUID, OR SIMILAR LIQUIDS TO START OR "FRESHEN UP" A FIRE IN THE HEATER. KEEP ALL SUCH LIQUIDS WELL AWAY FROM THE HEATER WHILE IT IS IN USE.**
- **OVERFIRING THE APPLIANCE MAY CAUSE A HOUSE FIRE. IF A UNIT OR CHIMNEY CONNECTOR GLOWS, YOU ARE OVERFIRING.**

## SERVICE HINTS

Do not expect a heater to draw. It is the chimney that creates the draft. Smoke spillage into the house or excessive buildup of water or creosote in the chimney are warnings that the chimney is not functioning properly. Correct problem before using heater. Possible causes are:

1. The connector pipe may push into the chimney too far, stopping the draft.
2. Do not connect two heaters into the same chimney flue.
3. The chimney used for a heater must not be used to ventilate the cellar or basement. If there is a cleanout opening at the base of the chimney, it must be closed tightly.
4. If the chimney is operating too cool, water will condense in the chimney and run back into the stove. Creosote formation will be rapid and may block the chimney. Operate the heater at a high enough fire to keep the chimney warm preventing this condensation.
5. If the fire burns well but sometimes smokes or burns slowly, it may be caused by the chimney top being lower than another part of the house or a nearby tree. The wind blowing over a house or tree, falls on top of the chimney like water over a dam, beating down the smoke. The top of the chimney should be at least 3 feet above the roof and be at least to 2 feet higher than any point of the roof within 10 feet.

**CAUTION:**

**A CHIMNEY FIRE MAY CAUSE IGNITION OF WALL STUDS OR RAFTERS WHICH YOU THOUGHT WERE A SAFE DISTANCE FROM THE CHIMNEY. IF YOU HAVE A CHIMNEY FIRE, HAVE YOUR CHIMNEY INSPECTED BY A QUALIFIED PERSON BEFORE USING AGAIN.**

**NOTICE:**

**THIS WOOD HEATER NEEDS PERIODIC INSPECTION AND REPAIR FOR PROPER OPERATION. IT IS AGAINST FEDERAL REGULATIONS TO OPERATE THIS WOOD HEATER IN A MANNER INCONSISTENT WITH OPERATING INSTRUCTIONS IN THIS MANUAL. THE OPERATION OF THIS WOOD HEATER IN A MANNER INCONSISTENT WITH THE OWNER'S MANUAL WILL VOID YOUR WARRANTY.**

## NEVER OPERATE THIS PRODUCT WHILE UNATTENDED

### CAUTIONS: HOUSE FIRE HAZARDS

- **DO NOT STORE WOOD ON FLOOR PROTECTOR, UNDERNEATH STOVEPIPE(S) OR ANYWHERE WITHIN CLEARANCES TO COMBUSTIBLE SURFACES SPECIFIED FOR THIS APPLIANCE.**
- **NEVER OPERATE WITH SECONDARY TUBES, FIBERBOARD, OR INSULATION REMOVED.**

### OPERATING SAFETY PRECAUTIONS

- **NEVER OVERFIRE THIS APPLIANCE BY BUILDING EXCESSIVELY HOT FIRES AS A HOUSE/BUILDING FIRE MAY RESULT. YOU ARE OVERFIRING THE APPLIANCE IF IT BEGINS TO GLOW OR TURN RED.**
- **NEVER BUILD EXCESSIVELY LARGE FIRES IN THIS TYPE OF APPLIANCE AS DAMAGE TO THE FIREBOX OR SMOKE LEAKAGE MAY RESULT.**
- **HOT WHILE IN OPERATION. KEEP CHILDREN, CLOTHING, AND FURNITURE AWAY. CONTACT MAY CAUSE SKIN BURNS. DO NOT TOUCH THE APPLIANCE UNTIL IT HAS COOLED.**
- **PROVIDE ADEQUATE AIR FOR COMBUSTION TO THE ROOM WHERE THE APPLIANCE IS INSTALLED.**
- **INSPECT CHIMNEY LINER EVERY 60 DAYS. REPLACE LINER IMMEDIATELY IF IT IS RUSTING OR LEAKING SMOKE INTO THE ROOM.**
- **ATTEMPTS TO ACHIEVE HEAT OUTPUT RATES THAT EXCEED HEATER DESIGN SPECIFICATIONS CAN RESULT IN PERMANENT DAMAGE TO THE HEATER.**

### WARNING: EXPLOSION HAZARD

- **NEVER USE CHEMICALS, GASOLINE, GASOLINE-TYPE LANTERN FUEL, KEROSENE, CHARCOAL LIGHTER FLUID, OR SIMILAR FLAMMABLE LIQUIDS TO START OR "FRESHEN UP" A FIRE IN THE APPLIANCE.**
- **KEEP ALL FLAMMABLE LIQUIDS, ESPECIALLY GASOLINE, OUT OF THE VICINITY OF THE APPLIANCE - WHETHER IN USE OR IN STORAGE.**

## WOOD STOVE UTILIZATION

Your heating appliance was designed to burn well seasoned natural wood only; no other materials should be burned. Any type of well seasoned natural wood

may be used in your stove, but specific varieties have better energy yields than others. Higher efficiencies and lower emissions generally result when burning air dried seasoned hardwoods, as compared to softwoods or too green or freshly cut hardwoods. The following resources can assist in learning the burn characteristics of various species of wood:

<http://firewoodresource.com/firewood-btu-ratings/>; or <https://forestry.usu.edu/forest-products/wood-heating>

The operation of this wood heater in a manner inconsistent with the owner's manual will void your warranty and is also against federal regulations. Waste and other flammable materials should not be burned in your stove. DO NOT BURN:

1. Garbage;
2. Lawn clippings or yard waste;
3. Materials containing rubber, including tires;
4. Materials containing plastic;
5. Waste petroleum products, paints or paint thinners, or asphalt products;
6. Materials containing asbestos;
7. Construction or demolition debris;
8. Railroad ties or pressure-treated wood;
9. Manure or animal remains;
10. Saltwater driftwood or other previously salt water-saturated materials;
11. Unseasoned wood; or
12. Paper products, cardboard, plywood, or particleboard. The prohibition against burning these materials does not prohibit the use of fire starters made from paper, cardboard, sawdust, wax, and similar substances to start a fire in an affected wood heater.

Burning these materials may result in the release of toxic fumes or render the heater ineffective and cause smoke. Deadwood lying on the forest floor should be considered wet and requires full seasoning time. Standing deadwood can usually be considered to be about 2/3 seasoned. Smaller pieces of wood will dry faster. All logs exceeding 6" in diameter should be split. The wood should not be stored directly on the ground. Air should circulate through the logs. A 24" to 48" air space should be left between each row of logs, which should be placed in the sunniest location possible. The upper layer of wood should be protected from the element but not the sides. A good indicator of if the wood is ready to burn is to check the

piece ends. If cracks are radiating in all directions from the center then the wood should be dry enough to burn. If your wood sizzles in the fire, even though the surface is dry, it may not be fully cured and should be seasoned longer.

It is **EXTREMELY IMPORTANT** that you use **DRY WOOD** only in your wood stove. The wood should have dried for 9 to 15 months, such that the humidity content (in weight) is reduced below 20% of the weight of the log. It is very important to keep in mind that even if the wood has been cut for one, two, or even more years, it is not necessarily dry, if it has been stored in poor conditions. Under extreme conditions, it may rot instead of drying. This point cannot be overstressed; the vast majority of the problems related to the operation of a wood stove is caused by the fact that the wood used was too damp or had dried in poor conditions. These problems can be:

- ignition problems
- creosote build-up causing chimney fires
- low energy yield
- blackened windows
- incomplete log combustion

**Do not burn manufactured logs made of wax impregnated sawdust or logs with any chemical additives.**

## TESTING YOUR WOOD

- When the stove is thoroughly warmed, place one piece of split wood (about five inches in diameter) parallel to the door on the bed of red embers.
- Keep the air control fully open and close the door. If the wood ignites within 90 seconds from the time it was placed in the stove, your wood is correctly dried. If ignition takes longer, your wood is damp.
- If your wood hisses and water or vapor escapes at the ends of the piece, your wood is soaked or freshly cut (green). Do not use this wood in your stove. Large amounts of creosote could be deposited in your chimney, creating potential conditions for a chimney fire.

## TAMPER WARNING

This wood heater has a manufacturer-set minimum low burn rate that must not be altered. It is against federal regulations to alter this setting or otherwise operate this wood heater in a manner inconsistent with operating instructions in this manual.

## EFFICIENCIES

Efficiencies can be based on either the lower heating value (LHV) or the higher heating value (HHV) of the fuel. The lower heating value is when water leaves the combustion process as a vapor, in the case of woodstoves the moisture in the wood being burned leaves the stove as a vapor. The higher heating value is when water leaves the combustion process completely condensed. In the case of woodstoves this would assume the exhaust gases are room temperature when leaving the system, and therefore calculations using this heating value consider the heat going up the chimney as lost energy. Therefore, efficiency calculated using the lower heating value of wood will be higher than efficiency calculated using the higher heating value. The best way to achieve optimum efficiencies is to learn the burn characteristic of your appliance and burn well-seasoned wood. Higher burn rates are not always the best heating burn rates; after a good fire is established a lower burn rate may be a better option for efficient heating. A lower burn rate slows the flow of usable heat out of the home through the chimney, and it also consumes less wood.

## NOTICE - INITIAL BURNS TO CURE PAINT

Proper curing of the high-temp paint requires a series of three initial burns. The appliance should be allowed to cool off between each burn. The first two burns should be small fires and low temperatures (250°F) for a duration of 20 minutes each. The third fire should be at a temperature of approximately 500°F for 20 minutes. Provide adequate cross ventilation to clear any smoke or odor caused by initial firings.

**Notice: Use solid wood fuel only! Do not burn garbage, or flammable fluids. Do not use coal. This appliance is not designed to accommodate the air flow (draft) required to properly burn coal or coal products. Do not elevate the fire using grates or irons. Build the fire directly on the firebrick.**

## BUILDING A FIRE

The top down method of fire building is recommended for this appliance. Place the largest pieces of wood on the bottom, laid in parallel and close together. Smaller pieces are placed in a second layer, crossways to the first. A third layer of still smaller pieces is laid crossways to the second, this time with some spaces between. Then a fourth layer of loose, small kindling and twisted newspaper sheets tops off the pile.

## WARNINGS:

- **NEVER OVERFIRE YOUR STOVE. IF ANY PART OF THE STOVE STARTS TO GLOW RED, OVER FIRING IS HAPPENING.**
- **THE INSTALLATION OF A LOG CRADLE OR GRATES IS NOT RECOMMENDED IN YOUR WOOD STOVE. BUILD FIRE DIRECTLY ON FIREBRICK.**
- **NEVER PUT WOOD ABOVE THE FIREBRICK LINING OF THE FIREBOX.**
- **ATTEMPTS TO ACHIEVE HEAT OUTPUT RATES THAT EXCEED HEATER DESIGN SPECIFICATIONS CAN RESULT IN PERMANENT DAMAGE TO THE HEATER.**

## ADDING FUEL

1. Once you have obtained a good bed of embers, you should reload the stove.
2. To do so, slowly open the door so it is open one or two inches for 5 to 10 seconds, before opening completely to increase the draft and thus eliminate the smoke which is stagnant in a state of slow combustion in the stove.
3. Rake the embers to the front of the stove. Add about 7-7.5 lbs of fuel. This amount will prevent overload or overfiring your stove. Close the door immediately.
4. When adding fuel be careful not to smother the fire. Make sure the embers do not obstruct the air inlet
5. Reloading of fuel should only occur once the prior fuel load has burned down to embers. Abiding by this routine, your stove will achieve the cleanest emissions burn, plus will prevent overfiring of your stove.

## VISIBLE SMOKE

The amount of visible smoke being produced can be an effective method of determining how efficiently the combustion process is taking place in the given settings. Visible smoke consists of unburned fuel and moisture leaving your stove. Learn to adjust the air settings of your specific unit to produce the smallest amount of visible smoke. Wood that has not been seasoned properly and has a high wood moisture content will produce excess visible smoke and burn poorly.

## AIR TUBES

The air tubes assembled in this unit are designed to provide an accurate mix of secondary air to ensure the highest efficiency. Any damage or deterioration of these tubes may reduce the efficiency of combustion.

## SECONDARY AIR TUBES

The secondary air tubes must be cleaned with a wire brush. If debris remains in holes lightly tap with a wooden stick to remove.

## SMOKE & CO MONITORS

Burning wood naturally produces smoke and carbon monoxide(CO) emissions. CO is a poisonous gas when exposed to elevated concentrations for extended periods. While the modern combustion systems in heaters drastically reduce the amount of CO emitted out the chimney, exposure to the gases in closed or confined areas can be dangerous. Make sure your stove gaskets and chimney joints are in good working order and sealing properly to ensure unintended exposure. It is recommended that you use both smoke and CO monitors in areas having the potential to generate CO.

## NEVER OPERATE THIS PRODUCT WHILE UNATTENDED

**CAUTION:**

**DO NOT OVERFIRE APPLIANCE. YOU ARE OVERFIRING IF ANY PART OF THE APPLIANCE GLOWS RED. CLOSE THE DOOR TO REDUCE THE AIR SUPPLY AND SLOW DOWN THE FIRE.**

**CAUTION:**

**SLOW BURNING FIRES FOR EXTENDED USE OR BURNING GREEN WOOD MAY CAUSE EXCESSIVE CREOSOTE BUILD-UP. IGNITION OF CREOSOTE OR OVERFIRING COULD CAUSE A CHIMNEY FIRE. CHIMNEY FIRES BURN EXTREMELY HOT AND MAY IGNITE SURROUNDING COMBUSTIBLE MATERIALS. IN CASE OF A CHIMNEY FIRE, CALL THE FIRE DEPARTMENT IMMEDIATELY!**

the heater to cool, then inspect the chimney for damage. If no damage results, perform a chimney cleaning to ensure no more creosote deposits is remaining in the chimney.

**CAUTION:**

**A CHIMNEY FIRE MAY CAUSE IGNITION OF WALL STUDS OR RAFTERS WHICH WERE ASSUMED TO BE A SAFE DISTANCE AWAY FROM THE CHIMNEY. IF A CHIMNEY FIRE OCCURS, HAVE YOUR CHIMNEY INSPECTED BY A QUALIFIED EXPERT BEFORE USING AGAIN.**

### CREOSOTE FORMATION AND NEED FOR REMOVAL

When wood is burned slowly, it produces tar and other organic vapors, which combine with expelled moisture to form creosote. The creosote vapors condense in the relatively cool chimney flue of a slow-burning fire. As a result, creosote residue accumulates on the flue lining. When ignited this creosote makes an extremely high temper fire. The chimney connector and chimney should be inspected at least once every two months during the heating season to determine if a creosote build-up has occurred. If creosote has accumulated (3 mm or more), it should be removed to reduce the risk of a chimney fire.

We strongly recommend that you install a magnetic thermometer on your smoke exhaust pipe, approximately 18" above the stove. This thermometer will indicate the temperature of your gas exhaust fumes within the smoke exhaust system. The ideal temperature for these gases is somewhere between 275°F and 500°F. Below these temperatures, the build-up of creosote is promoted. Above 500°F, heat is wasted since a too large quantity is lost into the atmosphere.

### TO PREVENT CREOSOTE BUILD UP

- Always burn dry wood. This allows clean burns and higher chimney temperatures, therefore less creosote deposit.
- Always check for creosote deposit once every two months and have your chimney cleaned at least once a year.
- If a chimney or creosote fire occurs DO NOT open the door keep the door closed. Wait for the fire to go out and

### ASH REMOVAL & DISPOSAL

Whenever ashes get 3 to 4 inches deep in your firebox or ash pan, and when the fire has burned down and cooled, remove excess ashes. Leave an ash bed approximately 1 inch deep on the firebox bottom to help maintain a hot charcoal bed. Ashes should be placed in a metal container with a tight-fitting lid. The closed container of ashes should be placed on a non-combustible floor or the ground, away from all combustible materials, pending final disposal. The ashes should be retained in the closed container until all cinders have thoroughly cooled.

**CAUTIONS:**

**ASHES COULD CONTAIN HOT EMBERS EVEN AFTER TWO DAYS WITHOUT OPERATING THE STOVE.**

### GASKET CARE

**WARNING:**

**NEVER OPERATE THE STOVE WITHOUT A GASKET OR WITH A BROKEN ONE. DAMAGE TO THE STOVE OR EVEN HOUSE FIRE MAY RESULT.**

This unit's door uses a 3/8" diameter rope gasket. It is recommended that you change the door gasket (which makes your stove door air tight) once a year, in order to ensure good control over the combustion, maximum efficiency and security. To change the door gasket, simply remove the damaged one. Carefully clean the available gasket groove, apply a high temperature silicone sold for this purpose, and install the new gasket. You may light up your stove again approximately 24 hours after having completed this operation.



# HOW TO ORDER REPAIR PARTS



**For Parts Assistance, Call 800-750-2723 ext 5051 or Email: [parts@usstove.com](mailto:parts@usstove.com) , or order at [www.myreplacementparts.com](http://www.myreplacementparts.com)**

The information in this owner's manual is specific to your unit. When ordering replacement parts the information in this manual will help to ensure the correct items are ordered. Before contacting customer service write down the model number and the serial number of this unit. That information can be found on the certification label attached to the back of the unit. Other information that may be needed would be the part number and part description of the item(s) in question. Part numbers and descriptions can be found in the "Repair Parts" section of this manual. Once this information has been gathered you can contact customer service by phone 1-800-750-2723 Ext 5051 or Email [parts@usstove.com](mailto:parts@usstove.com).

Model Information	
Model Number	
Serial Number	

## INSTRUCTIONS SPECIFIC FOR CANADIAN INSTALLATIONS

Do not obstruct the space under the heater and do not obstruct the combustion air openings.

Refer to the chimney manufacturer's instructions for disassembling the chimney for transportation of a transportable building.

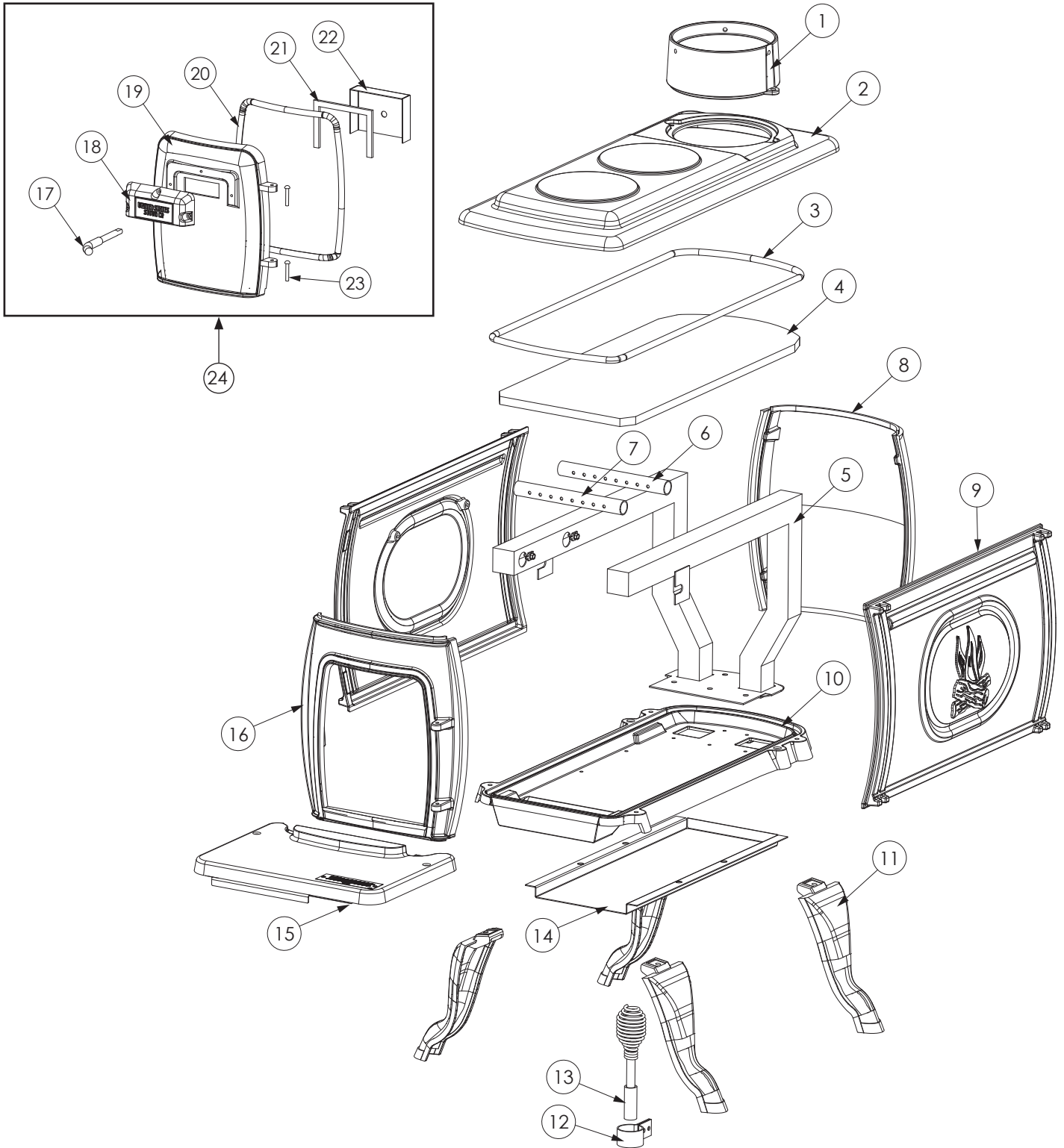
The parts or materials to be employed for ember protectors and the minimum areas to be covered and their relation to the space heater, as well as the notice: "In Canada, to comply with CSA B365, Installation Code for Solid-Fuel-Burning Appliances and Equipment, any combustible covering beneath the appliance and/or within the area extending horizontally at least 450 mm (18 in) beyond the appliance on any side equipped with a door, and at least 200 mm (8 in) beyond the appliance on other sides, shall be protected by a continuous, durable, non-combustible pad that will provide ember protection. The 450 mm (18 in) ember protection required on any side with a door shall extend for the full width of the appliance plus the 200 mm (8 in) required on each side of the appliance without a door. Where an appliance is installed less than 200 mm (8 in) from a wall, the ember pad need only extend to the base of the wall. An ember pad shall not be placed on top of a carpet unless the pad is structurally supported to prevent displacement and distortion.

Note: Do not install the chimney directly at the outlet of the appliance. A chimney connector (flue pipe) is required.

If this appliance is installed in a transportable building, removal of the chimney is required for transportation of the building.

**DO NOT INSTALL IN AN ALCOVE**

**DO NOT INSTALL IN ANY FIREPLACE**



# REPAIR PARTS



Key	Part #	Description	Qty
1	40809	Flue Collar	1
2	40774	Main Top	1
3	88033	3/8" Rope Joint Top	1
4	88329KIT	Baffle Board	1
5	893217	Tube Weldment	1
6	86961	1 Side Secondary Tube	1
7	86962	2 Side Secondary Tube	1
8	40299	Main Back	1
9	40892	Firebox Side	2
10	40897	Main Bottom	1
11	40817	Leg	4
12	89975	Handle Bracket	1

13	892722	Handle Assembly	1
14	892508	Bottom Channel	1
15	40771	Hearth	1
16	40896	Front	1
17	89971	Handle	1
18	40891	Cowl	1
19	40870	Feed Door	1
20	88033	3/8" Rope Gasket	1
21	88174	1/8 X 1 Window Gasket	1
22	892511	Door Panel Front	1
23	892843	Door Pin	2
24	893216	Door Assembly	1

To order parts:

Call 1-800-750-2723 Ext 5051 or

Email to: [parts@usstove.com](mailto:parts@usstove.com)

**IN ORDER TO MAINTAIN WARRANTY, COMPONENTS MUST BE REPLACED USING ORIGINAL MANUFACTURERS PARTS PURCHASED THROUGH YOUR DEALER OR DIRECTLY FROM THE APPLIANCE MANUFACTURER. USE OF THIRD PARTY COMPONENTS WILL VOID THE WARRANTY.**



# SERVICE RECORD

It is recommended that your heating system is serviced regularly and that the appropriate Service Interval Record is completed.

## SERVICE PROVIDER

Before completing the appropriate Service Record below, please ensure you have carried out the service as described in the manufacturer's instructions. Always use the manufacturer's specified spare part when replacement is necessary.

**Service 01** Date: \_\_\_\_\_

Engineer Name: \_\_\_\_\_

License No.: \_\_\_\_\_

Company: \_\_\_\_\_

Telephone No.: \_\_\_\_\_

Stove Inspected:  Chimney Swept:

Items Replaced: \_\_\_\_\_

**Service 02** Date: \_\_\_\_\_

Engineer Name: \_\_\_\_\_

License No.: \_\_\_\_\_

Company: \_\_\_\_\_

Telephone No.: \_\_\_\_\_

Stove Inspected:  Chimney Swept:

Items Replaced: \_\_\_\_\_

**Service 03** Date: \_\_\_\_\_

Engineer Name: \_\_\_\_\_

License No.: \_\_\_\_\_

Company: \_\_\_\_\_

Telephone No.: \_\_\_\_\_

Stove Inspected:  Chimney Swept:

Items Replaced: \_\_\_\_\_

**Service 04** Date: \_\_\_\_\_

Engineer Name: \_\_\_\_\_

License No.: \_\_\_\_\_

Company: \_\_\_\_\_

Telephone No.: \_\_\_\_\_

Stove Inspected:  Chimney Swept:

Items Replaced: \_\_\_\_\_

**Service 05** Date: \_\_\_\_\_

Engineer Name: \_\_\_\_\_

License No.: \_\_\_\_\_

Company: \_\_\_\_\_

Telephone No.: \_\_\_\_\_

Stove Inspected:  Chimney Swept:

Items Replaced: \_\_\_\_\_

**Service 06** Date: \_\_\_\_\_

Engineer Name: \_\_\_\_\_

License No.: \_\_\_\_\_

Company: \_\_\_\_\_

Telephone No.: \_\_\_\_\_

Stove Inspected:  Chimney Swept:

Items Replaced: \_\_\_\_\_

**Service 07** Date: \_\_\_\_\_

Engineer Name: \_\_\_\_\_

License No.: \_\_\_\_\_

Company: \_\_\_\_\_

Telephone No.: \_\_\_\_\_

Stove Inspected:  Chimney Swept:

Items Replaced: \_\_\_\_\_

**Service 08** Date: \_\_\_\_\_

Engineer Name: \_\_\_\_\_

License No.: \_\_\_\_\_

Company: \_\_\_\_\_

Telephone No.: \_\_\_\_\_

Stove Inspected:  Chimney Swept:

Items Replaced: \_\_\_\_\_

Il est recommandé que votre système de chauffage est desservi régulièrement et que le Service Intervall enregistré approprié est terminée.

## Fournisseur de Services

Avant de terminer l'enregistrement de service approprié ci-dessous, s'il vous plaît vous assurer que vous avez effectué le service tel que décrit dans les instructions du fabricant. Toujours utiliser pièce de rechange indiquée par le fabricant lors de remplacement est nécessaire.

<p><b>Service de 01</b></p> <p>Date: _____</p> <p>Nom de l'ingénieur: _____</p> <p>N° de licence: _____</p> <p>Compagnie: _____</p> <p>N° de téléphone: _____</p> <p>Poêle Inspecté: <input type="checkbox"/> Cheminée balayée: <input type="checkbox"/></p> <p>Articles Remplacés: _____</p>	<p><b>Service de 02</b></p> <p>Date: _____</p> <p>Nom de l'ingénieur: _____</p> <p>N° de licence: _____</p> <p>Compagnie: _____</p> <p>N° de téléphone: _____</p> <p>Poêle Inspecté: <input type="checkbox"/> Cheminée balayée: <input type="checkbox"/></p> <p>Articles Remplacés: _____</p>
---	---

<p><b>Service de 03</b></p> <p>Date: _____</p> <p>Nom de l'ingénieur: _____</p> <p>N° de licence: _____</p> <p>Compagnie: _____</p> <p>N° de téléphone: _____</p> <p>Poêle Inspecté: <input type="checkbox"/> Cheminée balayée: <input type="checkbox"/></p> <p>Articles Remplacés: _____</p>	<p><b>Service de 04</b></p> <p>Date: _____</p> <p>Nom de l'ingénieur: _____</p> <p>N° de licence: _____</p> <p>Compagnie: _____</p> <p>N° de téléphone: _____</p> <p>Poêle Inspecté: <input type="checkbox"/> Cheminée balayée: <input type="checkbox"/></p> <p>Articles Remplacés: _____</p>
---	---

<p><b>Service de 05</b></p> <p>Date: _____</p> <p>Nom de l'ingénieur: _____</p> <p>N° de licence: _____</p> <p>Compagnie: _____</p> <p>N° de téléphone: _____</p> <p>Poêle Inspecté: <input type="checkbox"/> Cheminée balayée: <input type="checkbox"/></p> <p>Articles Remplacés: _____</p>	<p><b>Service de 06</b></p> <p>Date: _____</p> <p>Nom de l'ingénieur: _____</p> <p>N° de licence: _____</p> <p>Compagnie: _____</p> <p>N° de téléphone: _____</p> <p>Poêle Inspecté: <input type="checkbox"/> Cheminée balayée: <input type="checkbox"/></p> <p>Articles Remplacés: _____</p>
---	---

<p><b>Service de 07</b></p> <p>Date: _____</p> <p>Nom de l'ingénieur: _____</p> <p>N° de licence: _____</p> <p>Compagnie: _____</p> <p>N° de téléphone: _____</p> <p>Poêle Inspecté: <input type="checkbox"/> Cheminée balayée: <input type="checkbox"/></p> <p>Articles Remplacés: _____</p>	<p><b>Service de 08</b></p> <p>Date: _____</p> <p>Nom de l'ingénieur: _____</p> <p>N° de licence: _____</p> <p>Compagnie: _____</p> <p>N° de téléphone: _____</p> <p>Poêle Inspecté: <input type="checkbox"/> Cheminée balayée: <input type="checkbox"/></p> <p>Articles Remplacés: _____</p>
---	---

# PIÈCES DE REMPLACEMENT



Ciè	Partie #	Description	Qté
1	40809	Collier De Cheminée	1
2	40774	Haut Principal	1
3	88033	Joint De Corde 3/8 po	1
4	88329KIT	Défecteur	1
5	893217	Tube Soudé	1
6	86961	Tube Secondaire 1 Côté	1
7	86962	Tube Secondaire 2 Côtés	1
8	40299	Dos Principal	1
9	40892	Côté Boîte À Feu	2
10	40897	Fond Principal	1
11	40817	Jambe	4
12	89975	Support De Poignée	1

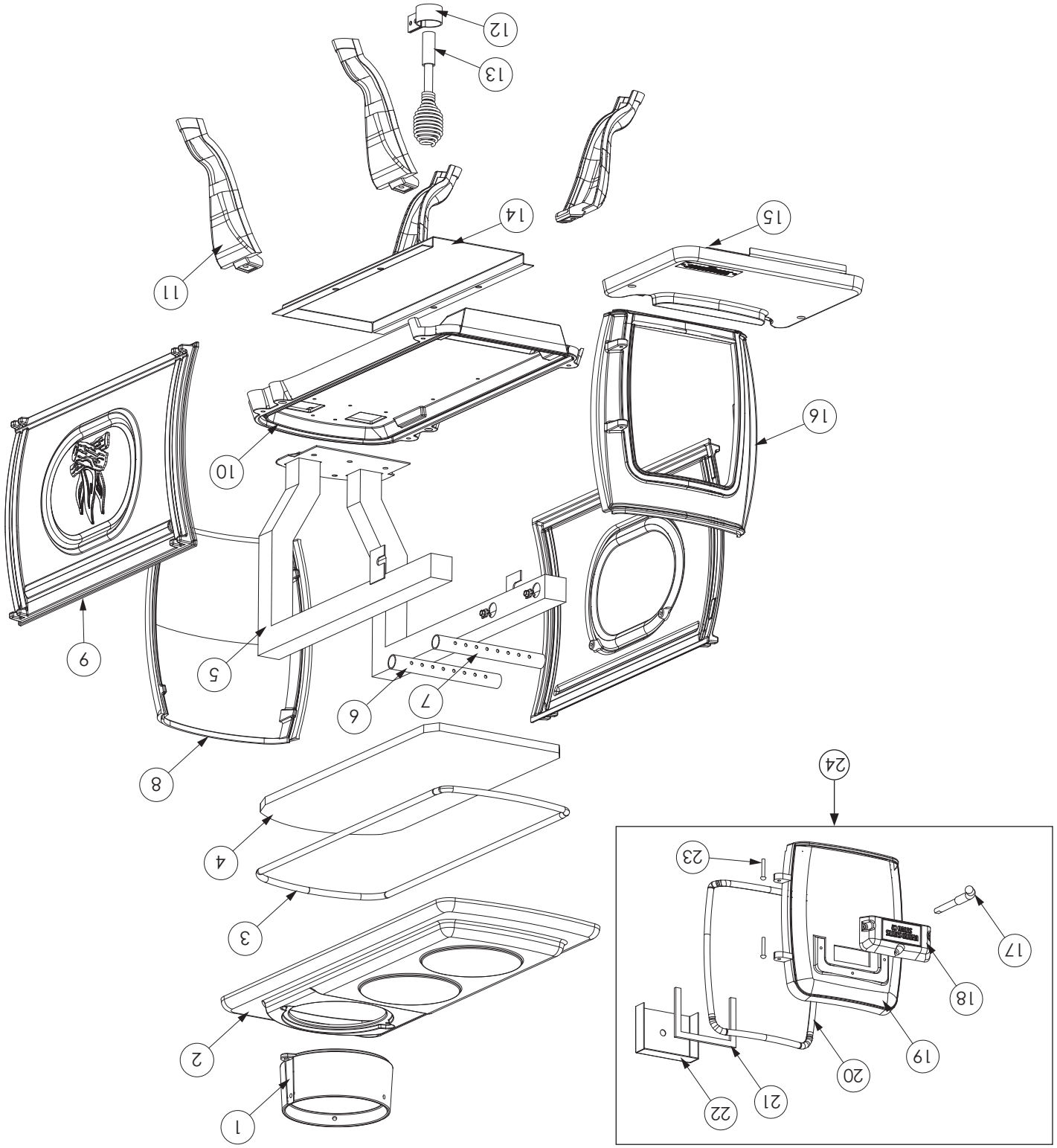
Pour commander des pièces:

Appellez le 1-800-750-2723 Ext 5051 ou

Envoyez un courriel à: [parts@usstove.com](mailto:parts@usstove.com)

**AFIN DE MAINTENIR LA GARANTIE, LES COMPOSANTS DOIVENT ÊTRE REMPLACÉS À L'AIDE DES PIÈCES ORIGINALES DU FABRICANT ACHETÉES VIA VOTRE REVendeur OU DIRECTEMENT AUPRÈS DU FABRICANT DE L'APPAREIL. L'UTILISATION DE COMPOSANTS TIERS ANNULERA LA GARANTIE.**

13	892722	Assemblage De La Poignée	1
14	892508	Canal Du Bas	1
15	40771	Foyer	1
16	40896	Cadre De Porte	1
17	89971	Manipuler	1
18	40891	Capot	1
19	40870	Porte D'alimentation	1
20	88033	Joint de corde 3/8	1
21	88174	Joint de fenêtre 1 / 8x1	1
22	892511	Panneau de porte	1
23	892843	Goupille de porte	2
24	893216	Assemblage de porte	1



**Pour une assistance pièces, appelez le 800-750-2723 poste 5051 ou envoyez un e-mail : [parts@usstove.com](mailto:parts@usstove.com), ou commandez sur [www.myreplacementparts.com](http://www.myreplacementparts.com)**

Les informations contenues dans ce manuel du propriétaire sont spécifiques à votre appareil. Lors de la commande de pièces de rechange, les informations contenues dans ce manuel vous aideront à vous assurer que les bons articles sont commandés. Avant de contacter le service client, notez le numéro de modèle et le numéro de série de cet appareil. Cette information se trouve sur l'étiquette de certification apposée à l'arrière de l'appareil. D'autres informations qui pourraient être nécessaires sont le numéro de pièce et la description de l'article en question. Les références et les descriptions se trouvent dans la section «Pièces de réparation» de ce manuel. Une fois ces informations recueillies, vous pouvez contacter le service client par téléphone au 1-800-750-2723, poste 5051 ou par e-mail à [parts@usstove.com](mailto:parts@usstove.com).

Informations sur le modèle	
Numéro de modèle	
Numéro de série	

## INSTRUCTIONS SPÉCIFIQUES AUX INSTALLATIONS CANADIENNES

N'obstruez pas l'espace sous l'appareil de chauffage et n'obstruez pas les ouvertures d'air de combustion.

Se référer aux instructions du fabricant de la cheminée pour le démontage de la cheminée pour le transport d'un bâtiment transportable.

Les pièces ou matériaux à utiliser pour les protecteurs de braises et les surfaces minimales à couvrir et leur relation avec le radiateur d'appoint, ainsi que l'avis : « Au Canada, pour se conformer à la norme CSA B365, Code d'installation des appareils à combustible solide et équiperment, tout revêtement combustible sous l'appareil et/ou dans la zone s'étendant horizontalement à au moins 450 mm (18 po) au-delà de l'appareil de tout côté équipé d'une porte, et à au moins 200 mm (8 po) au-delà de l'appareil de l'autre côtés, doivent être protégés par un tampon continu, durable et incombustible qui fournira une protection contre les braises. La protection contre les braises de 450 mm (18 po) requise de tous les côtés avec un porte doit s'étendre sur toute la largeur de l'appareil plus les 200 mm (8 po) requis de chaque côté de l'appareil sans porte. Lorsqu'un appareil est installé à moins de 200 mm (8 po) d'un mur, le tampon de braises ne doit s'étendre que jusqu'à la base du mur. Un tampon de braises ne doit pas être placé sur un tapis à moins que le tampon ne soit structurellement soutenu pour empêcher le déplacement et la distorsion.

Remarque : Ne pas installer la cheminée directement à la sortie de l'appareil. Un connecteur de cheminée (conduit de fumée) est nécessaire.

Si cet appareil est installé dans un bâtiment transportable, l'enlèvement de la cheminée est requis pour le transport du bâtiment.

NE PAS INSTALLER DANS UNE ALCÔVE

NE PAS INSTALLER DANS AUCUN FOYER



## NE JAMAIS UTILISER CE PRODUIT SANS SURVEILLANCE

s'étend et que le radiateur refroidisse, puis inspectez la cheminée pour détecter tout dommage. Si aucun dommage ne se produit, effectuez un nettoyage de cheminée pour vous assurer qu'il ne reste plus de dépôts de crésote dans la cheminée.

**AVERTISSEMENT:**  
UN FEU DE CHEMINÉE PEUT PROVOQUER L'INFLAMMATION DE POTEAUX MURAUX OU DE CHEVRONS QUI ÉTAIENT SUPPOSÉS ÊTRE À UNE DISTANCE SÛRE DE LA CHEMINÉE. EN CAS D'INCENDIE DE CHEMINÉE, FAITES INSPECTER VOTRE CHEMINÉE PAR UN EXPERT QUALIFIÉ AVANT DE L'UTILISER À NOUVEAU.

### ENLÈVEMENT DES CENDRES ET LEUR DISPOSITION

Chaque fois que les cendres atteignent une profondeur de 3 à 4 pouces dans votre foyer ou cendrier, et lorsque le feu a brûlé et refroidi, retirez les cendres en excès. Laissez un lit de cendres d'environ 1 pouce de profondeur sur le fond de la chambre de combustion pour aider à maintenir un lit de charbon de bois chaud. Les cendres doivent être placées dans un récipient en métal avec un couvercle hermétique. Le contenant fermé de cendres doit être placé sur un sol non combustible ou sur le sol, à l'écart de tout matériau combustible, en attendant l'élimination finale. Les cendres doivent être conservées dans le récipient fermé jusqu'à ce que toutes les cendres aient complètement refroidi.

**AVERTISSEMENT:**  
LES CENDRES POURRAIENT CONTENIR DES EMBRES CHAUDES MÊME APRÈS DEUX JOURS SANS FAIRE FONCTIONNER LE POÊLE.

### ENTRETIEN DES JOINTS

**AVERTISSEMENT:**  
N'UTILISEZ JAMAIS LE POÊLE SANS JOINT OU AVEC UN CASSE. DES DOMMAGES AU POÊLE OU À L'INCENDIE DE LA MAISON PEUVENT EN RÉSULTER.

La porte de cet appareil utilise un joint de corde de 3/8 po de diamètre. Il est recommandé de changer le joint de porte (qui rend la porte de votre poêle étanche à l'air) une fois par an, afin d'assurer un bon contrôle de la combustion, une efficacité et une sécurité maximales. Pour changer le joint de porte, retirez simplement celui qui est endommagé. Nettoyez soigneusement la rainure du joint disponible, appliquez un silicone haute température vendu à cet effet et installez le nouveau joint. Vous pouvez rallumer votre poêle environ 24 heures après avoir terminé cette opération.

**AVERTISSEMENT:**  
NE PAS SURCHARGER L'APPAREIL. VOUS SURFIRMEZ SI UNE PIÈCE DE L'APPAREIL EST ROUGE. FERMEZ LA PORTE POUR RÉDUIRE L'ALIMENTATION D'AIR ET RALENTIR LE FEU.

**AVERTISSEMENT:**  
LES FEUX À COMBUSTION LENTE POUR UNE UTILISATION PROLONGÉE OU LA COMBUSTION DE BOIS VERT PEUVENT PROVOQUER UNE ACCUMULATION EXCESSIVE DE CRÉOSOTE. L'ALLUMAGE DE LA CRÉOSOTE OU LA SURCHAUFFE PEUVENT PROVOQUER UN FEU DE CHEMINÉE. LES FEUX DE CHEMINÉE BRÛLENT EXTRÊMEMENT CHAUD ET PEUVENT ENFLAMMER LES MATÉRIAUX COMBUSTIBLES ENVIRONNANTS. EN CAS D'INCENDIE DE CHEMINÉE, APPELEZ IMMÉDIATEMENT LE SERVICE D'INCENDIE!

### FORMATION DE CRÉOSOTE ET BESOIN D'ENLÈVEMENT

Lorsque le bois est brûlé lentement, il produit du goudron et d'autres vapeurs organiques, qui se combinent avec l'humidité expulsée pour former de la crésote. Les vapeurs de crésote se condensent dans le conduit de cheminée relativement frais d'un feu à combustion lente. Par conséquent, des résidus de crésote s'accumulent sur le revêtement du conduit de fumée. Lorsqu'elle est allumée, cette crésote fait un feu extrêmement élevé. Le raccord de cheminée et la cheminée doivent être inspectés au moins une fois tous les deux mois pendant la saison de chauffage pour déterminer si une accumulation de crésote s'est produite. Si la crésote s'est accumulée (3 mm ou plus), elle doit être retirée pour réduire le risque d'incendie de cheminée. Nous vous recommandons fortement d'installer un thermomètre magnétique sur votre tuyau d'échappement de fumée, à environ 18 po au-dessus du poêle. Ce thermomètre indiquera la température de vos fumées d'échappement de gaz dans le système d'évacuation des fumées. La température idéale pour ces gaz se situe entre 275°F et 500°F. En dessous de ces températures, l'accumulation de crésote est favorisée. Au-dessus de 500°F, la chaleur est perdue car une trop grande quantité est perdue dans l'atmosphère.

### POUR ÉVITER L'ACCUMULATION DE CRÉOSOTE

- Brûlez toujours du bois sec. Cela permet des brûlures propres et des températures de cheminée plus élevées, donc moins de dépôt de crésote.
- Vérifiez toujours le dépôt de crésote une fois tous les deux mois et faites nettoyer votre cheminée au moins une fois par an.
- Si un feu de cheminée ou de crésote se produit, N'OUVREZ PAS la porte, gardez la porte fermée. Attendez que le feu

**AVERTISSEMENTS:**

- NE JAMAIS SURCHAUFFER VOTRE POÊLE. SI UNE PIÈCE DU POÊLE COMMENCE À LUMINER ROUGE, UNE SURCHAUFFE SE PRODUIT.
- L'INSTALLATION D'UN BERCEAU OU DE GRILLES N'EST PAS RECOMMANDÉE DANS VOTRE POÊLE À BOIS. CONSTRUISEZ LE FEU DIRECTEMENT SUR LA BRIQUE À FEU.
- NE JAMAIS METTRE DE BOIS AU-DESSUS DE LA GARNITURE FEU DE LA BOÎTE À FEU.
- LES TENTATIVES POUR ATTEINDRE DES TAUX DE SORTIE DE CHALEUR QUI DÉPASSENT LES SPÉCIFICATIONS DE CONCEPTION DU CHAUFFAGE PEUVENT CAUSER DES DOMMAGES PERMANENTS AU CHAUFFAGE.

### AJOUT DE CARBURANT

1. Une fois que vous avez obtenu un bon lit de braises, vous devriez recharger le poêle.
2. Pour ce faire, ouvrez lentement la porte de façon à ce qu'elle soit ouverte d'un ou deux pouces pendant 5 à 10 secondes, avant de s'ouvrir complètement pour augmenter le tirant d'eau et ainsi éliminer la fumée qui stagne dans un état de combustion lente dans le poêle.
3. Ratisser les braises à l'avant du poêle. Ajouter environ 7 à 7,5 lb de carburant. Cette quantité évitera une surcharge ou un suraspble de votre poêle. Fermer immédiatement la porte.
4. Lors de l'ajout de carburant, faites attention de ne pas étouffer le feu. Assurez-vous que les braises n'obstruent pas l'entrée d'air.
5. Le rechargement du carburant ne devrait avoir lieu qu'une fois que la charge de carburant antérieure a brûlé en braises. En respectant cette routine, votre poêle permettra d'obtenir les émissions les plus propres brûlées, plus empêchera le surfrage de votre poêle.

### FUMÉE VISIBLE

La quantité de fumée visible produite peut être une méthode efficace pour déterminer l'efficacité du processus de combustion aux paramètres donnés. La fumée visible est constituée de combustible non brûlé et d'humidité sortant de votre poêle. Apprenez à régler les paramètres d'air de votre unité spécifique pour produire la plus petite quantité de fumée visible. Le bois qui n'a pas été correctement séché et qui a une teneur élevée en humidité produira un excès de fumée visible et brûlera mal.

### CONDUITS D'AIR

Les conduits d'air assemblés dans cette unité sont conçus pour offrir un mélange précis d'air secondaire et assurer une plus grande efficacité. Tout dommage ou détérioration de ces conduits peuvent réduire l'efficacité de la combustion. Les conduits d'air sont maintenus en position par des vis ou par des goupilles de blocage. Localisez et enlevez-les des deux côtés du conduit pour le retirer et le remettre en place.

### CONDUITS D'AIR SECONDAIRES

Les conduits d'air secondaires doivent être nettoyés avec une brosse métallique. Si des débris demeurent dans les trous, frappez légèrement avec un bâton de bois pour les déloger.

### DÉTECTEURS DE FUMÉE ET DE CO

Le brûlage du bois produit naturellement des émissions de fumée et du monoxyde de carbone (CO). Le CO est un gaz poison lorsque l'exposition se fait à des concentrations élevées pour une période de temps prolongée. Bien que les systèmes de combustion modernes des chauffages réduisent de façon importante la quantité de CO émis par la cheminée, l'exposition aux gaz dans des endroits fermés ou clos peut être dangereuse. Assurez-vous que les joints d'étanchéité de votre poêle et les joints de la cheminée soient en bon état et qu'ils scellent correctement, évitant les expositions indésirables. Il est recommandé que vous utilisiez des détecteurs de fumée et de CO dans les zones où on pourrait s'attendre à une génération potentielle de CO.

## EFFICACITÉ

Les rendements peuvent être basés sur la valeur calorifique inférieure (LHV) ou la valeur calorifique supérieure (HHV) du combustible. La valeur calorifique inférieure est lorsque l'eau quitte le processus de combustion sous forme de vapeur, dans le cas des poêles à bois, l'humidité du bois brûlé quitte le poêle sous forme de vapeur. Le pouvoir calorifique supérieur est lorsque l'eau quitte le processus de combustion complètement condensée. Dans le cas des poêles à bois, cela supposerait que les gaz d'échappement sont à température ambiante à la sortie du système, et donc les calculs utilisant cette valeur de chauffage considèrent la chaleur qui monte dans la cheminée comme une énergie perdue. Par conséquent, l'efficacité calculée en utilisant le pouvoir calorifique inférieur du bois sera supérieure à l'efficacité calculée en utilisant le pouvoir calorifique supérieur. La meilleure façon d'atteindre des rendements optimaux est d'apprendre les caractéristiques de combustion de votre appareil et de brûler du bois bien séché. Des taux de combustion plus élevés ne sont pas toujours les meilleurs taux de combustion par chauffage; après avoir établi un bon feu, un taux de combustion inférieur peut être une meilleure option pour un chauffage efficace. Un taux de combustion inférieur ralentit le flux de chaleur utilisable hors de la maison par la cheminée, et il consomme également moins de bois.

## NOTIFICATION - LES PREMIERS FEUX POUR SÉCHER LA PEINTURE

Le séchage correct de la peinture à haute température exige une série de trois feux initiaux. L'appareil devrait être refroidi entre chaque feu. Les deux premiers feux devraient être des petits feux à température basse (250° F) pour une durée de 20 minutes chacun. Le troisième feu devrait être à une température moyenne (500° F à 700° F) pendant 20 minutes. Aérez de façon suffisante pour éliminer la fumée ou les odeurs causées par ces feux.

**Remarque: utilisez uniquement du bois de chauffage solide! Ne brûlez pas les ordures ou les liquides inflammables. N'utilisez pas de charbon. Cet appareil n'est pas conçu pour accueillir le débit d'air (tirage) requis pour brûler correctement le charbon ou les produits du charbon. Ne pas élever le feu à l'aide de grilles ou de fers. Construisez le feu directement sur la brique réfractaire.**

## CONSTRUIRE UN FEU

La méthode descendante de construction incendie est recommandée pour cet appareil. Placez les plus gros morceaux de bois sur le fond, posés en parallèle et rapprochés. Les pièces plus petites sont placées dans une deuxième couche, en travers de la première. La troisième couche de pièces encore plus petites est posée transversalement à la seconde, cette fois avec quelques espaces entre les deux. Ensuite, la quatrième couche torsadée surmonte la pile

savoir si le bois est prêt à brûler est de vérifier les extrémités des pièces. Si des fissures rayonnent dans toutes les directions à partir du centre, le bois doit être suffisamment sec pour brûler. Si votre bois gésille dans le feu, même si la surface est sèche, il se peut qu'il ne soit pas complètement durci et devrait être séché plus longtemps. Il est EXTRÊMEMENT IMPORTANT d'utiliser du BOIS SEC uniquement dans votre poêle à bois. Le bois doit avoir séché pendant 9 à 15 mois, de sorte que la teneur en humidité (en poids) soit réduite en dessous de 20% du poids de la bûche. Il est très important de garder à l'esprit que même si le bois a été coupé pendant un, deux ans ou même plus, il n'est pas nécessairement sec s'il a été stocké dans de mauvaises conditions. Dans des conditions extrêmes, il peut pourrir au lieu de sécher. Ce point ne peut pas être surestimé; la grande majorité des problèmes liés au fonctionnement d'un poêle à bois est due au fait que le bois utilisé était trop humide ou avait séché dans de mauvaises conditions. Ces problèmes peuvent être:

- problèmes d'allumage
- accumulation de créosote provoquant des feux de cheminée
- faible rendement énergétique
- fenêtres noircies
- combustion de bûches incomplète

**Ne brûlez pas de bûches fabriquées à partir de sciure de bois imprégnée de cire ou de bûches contenant des additifs chimiques.**

## TESTER VOTRE BOIS

- Lorsque le poêle est bien réchauffé, placez un morceau de bois fendu (environ cinq pouces de diamètre) parallèle à la porte sur le lit de braises rouges.
- Gardez la commande d'air complètement ouverte et fermez la porte. Si le bois s'enflamme dans les 90 secondes suivant le moment où il a été placé dans le poêle, votre bois est correctement séché. Si l'allumage prend plus de temps, votre bois est humide.
- Si votre bois siffle et que de l'eau ou de la vapeur s'échappe aux extrémités de la pièce, votre bois est trempé ou fraîchement coupé (vert). N'utilisez pas ce bois dans votre poêle. De grandes quantités de créosote pourraient se déposer dans votre cheminée, créant des conditions potentielles pour un feu de cheminée.

## ALTERER AVERTISSEMENT

Ce chauffage au bois a un taux de combustion minimum réglé à la fabrication, et qui ne peut être modifié. La modification de ce réglage ou une utilisation autre de ce chauffage au bois qui ne respecterait pas les directives du présent manuel contrevient aux réglementations fédérales.

NE JAMAIS UTILISER CE PRODUIT SANS SURVEILLANCE

UTILISATION DU POÊLE À BOIS

1. Des ordures;

2. Des déchets de tonte ou résidus de jardin;

3. Des matériaux contenant du caoutchouc, incluant les pneus;

4. Matériaux contenant du plastique;

5. Des déchets de produits du pétrole, des peintures ou diluants à peinture, ou des produits d'asphalte;

6. Matériaux contenant de l'amiante;

7. Débris de construction ou de démolition;

8. Traverses de voie ferrée ou bois traité sous pression;

9. Fumier ou restes d'animaux;

10. Bois de grève en eau salée ou autres matériaux précédemment saturés par de l'eau salée;

11. Bois non séché; ou

12. Produits du papier, carton, contreplaqué, ou panneau de particules. L'interdiction de brûlage de ces matériaux n'interdit pas l'utilisation d'allume-feu composés de papier, carton, sciure de bois, cire et substances similaires, aux fins de démarrer le feu dans un chauffage au bois modifié.

La combustion de ces matériaux peut entraîner la libération de fumées toxiques ou rendre le radiateur inefficace et provoquer de la fumée. Le bois mort posé sur le sol forestier doit être considéré comme humide et nécessite un temps de séchage complet. Le bois mort sur pied peut généralement être considéré comme environ 2/3 assaisonné. Les petits morceaux de bois séchent plus rapidement. Toutes les bûches de plus de 6 po de diamètre doivent être fendues. Le bois ne doit pas être stocké directement sur le sol. L'air devrait circuler dans les bûches. Un espace d'air de 24 po à 48 po doit être laissé entre chaque rangée de bûches, qui doivent être placées à l'endroit le plus ensoleillé possible. La couche supérieure de bois doit être protégée de l'élément mais pas des côtés. Un bon indicateur pour

**DÉPÔTS: RISQUES D'INCENDIE MAISON**

- NE STOCKEZ PAS DE BOIS SUR LE PROTECTEUR OU N'IMPORTE OÙ DANS LES DÉGAGEMENTS AUX SURFACES COMBUSTIBLES SPÉCIFIÉES POUR CET APPAREIL.
- NE JAMAIS FAIRE FONCTIONNER AVEC DES TUBES SECONDAIRES, DES PANNEAUX DE FIBRES DE BOIS OU DES ISOLANTS RETIRÉS.

**PRÉCAUTIONS DE SÉCURITÉ LORS DE L'UTILISATION**

- NE JAMAIS SURCHAUFFER CET APPAREIL EN FAISANT DES FEUX EXCESSIVEMENT CHAUDS, CAR UN INCENDIE POURRAIT EN RÉSULTER DANS UNE MAISON OU UN BÂTIMENT. VOUS SURCHAUFFEZ L'APPAREIL S'IL COMMENCE À BRILLER OU À DEVENIR ROUGE.
- NE JAMAIS FAIRE DE FEUX EXCESSIVEMENT GRANDS DANS CE TYPE D'APPAREIL, CAR CELA POURRAIT ENDOMMAGER LA CHAMBRE DE COMBUSTION OU PROVOQUER UNE FUITE DE FUMÉE.
- CHAUD PENDANT LE FONCTIONNEMENT. ÉLOIGNEZ LES ENFANTS, LES VÊTEMENTS ET LES MEUBLES. LE CONTACT PEUT PROVOQUER DES BRÛLURES CUTANÉES. NE TOUCHEZ PAS L'APPAREIL TANT QU'IL N'A PAS REFROIDI.
- FURNIR UN AIR SUFFISANT POUR LA COMBUSTION DANS LA PIÈCE OÙ L'APPAREIL EST INSTALLÉ.
- INSPECTEZ LE REVÊTEMENT DE CHEMINÉE TOUT LES 60 JOURS. REMPLACEZ IMMÉDIATEMENT LA DOUBLURE SI ELLE ROUILLE OU SI DE LA FUMÉE FUIT DANS LA PIÈCE.
- LES TENTATIVES POUR ATTEINDRE DES TAUX DE PRODUCTION DE CHALEUR QUI DÉPASSENT LES SPÉCIFICATIONS DE CONCEPTION DU RÉCHAUFFEUR PEUVENT ENTRAÎNER DES DOMMAGES PERMANENTS AU RÉCHAUFFEUR.

**AVERTISSEMENT: RISQUE D'EXPLOSION**

- N'UTILISEZ JAMAIS DE PRODUITS CHIMIQUES, ESSENCE, CARBURANT DE LANTERNE DE TYPE ESSENCE, KÉROSENE, LIQUIDES D'ALLUMAGE RAPIDE POUR CHARBON OU LIQUIDES SIMILAIRES INFLAMMABLES POUR COMMENCER OU BIEN ATTISER UN FEU DANS L'APPAREIL.
- GARDEZ LES LIQUIDES INFLAMMABLES, SURTOUT L'ESSENCE, ÉLOIGNÉS DE L'APPAREIL - QUE CE SOIT DANS UN BUT D'UTILISATION OU DE STOCKAGE.



8. Souvenez-vous que le conduit de raccordement devrait se prolonger dans la virole de la cheminée, jusqu'à la face intérieure de conduit de fumée, mais pas au-delà; si le conduit de raccordement passe à travers la virole et se prolonge dans le conduit de fumée, la résistante imposée au flux aura des effets indésirables sur le fonctionnement et la performance du chauffage et du système d'évacuation des gaz.

<b>ATTENTION:</b>
<ul style="list-style-type: none"> <li>• N'UTILISEZ QUE DU BOIS OU DES MATÉRIAUX SIMILAIRES AU BOIS. N'UTILISEZ PAS DE HOUILLE OU DE CHARBON DE BOIS. LA HOUILLE OU LE CHARBON DÉTRUIRA LA BOÎTE À FEU. N'UTILISEZ PAS DE BOIS D'ŒUVRE OU DE BOIS TRAITÉ.</li> <li>• LA SURCHAUFFE DE L'APPAREIL PEUT CAUSER UN INCENDIE. SI L'UNITÉ OU LE CONDUIT DE RACCORDEMENT DEVIENT ROUGE, IL Y A SURCHAUFFE.</li> <li>• NE JAMAIS UTILISER D'ESSENCE, D'HUILE À LAMPE, DU KÉROSENE, DU LIQUIDE D'ALLUMAGE DE CHARBON DE BOIS OU DES LIQUIDES SIMILAIRES POUR DÉMARRER OU RALLUMER LE FEU DANS CE CHAUFFAGE. ÉLOIGNEZ TOUS CES LIQUIDES DU CHAUFFAGE LORSQU'IL EST UTILISÉ.</li> <li>• CHAUD EN FONCTIONNEMENT. GARDER LES ENFANTS, VÊTEMENTS ET MEUBLES LOIN. LE CONTACT PEUT CAUSER DES BRÛLURES À LA PEAU</li> <li>• NE BRÛLEZ PAS DE DÉCHETS OU DE FLUIDES INFLAMMABLES TELS QUE L'ESSENCE, LE NAPHTHA OU L'HUILE MOTEUR</li> </ul>

<b>REMARQUE :</b>
NE SURÉLEVEZ PAS LE FEU OU N'UTILISEZ PAS DE GRILLE, ÉTABLISSEZ LE FEU DIRECTEMENT SUR L'ÂTRE.

<b>AVERTISSEMENT!</b>
<ul style="list-style-type: none"> <li>• N'ENTREPOSEZ JAMAIS DE LIQUIDES INFLAMMABLES, PARTICULIÈREMENT DE L'ESSENCE, À PROXIMITÉ DU CHAUFFAGE.</li> <li>• NE PAS OBSTRUER L'ESPACE SOUS LE CHAUFFAGE</li> <li>• N'UTILISEZ JAMAIS CE CHAUFFAGE ALORS QUE LA PORTE DU COMBUSTIBLE EST OUVERTE.</li> <li>• N'UTILISEZ QUE LES PIEDS FOURNIS AVEC CE CHAUFFAGE. RÉFÉREZ-VOUS À L'ÉTAPE 5 DE LA SECTION « INSTALLATION » DU PRÉSENT MANUEL.</li> </ul>

## CONSEILS D'ENTRETIEN

Ne vous attendez pas à ce qu'un chauffage effectuée le tirage. La cheminée est celle qui crée le tirage. Le dispersément de fumée dans la maison, ou une accumulation excessive d'eau ou de crésote dans la cheminée est un avertissement que la cheminée ne fonctionne pas correctement. Corrigez le problème avant d'utiliser le chauffage. Les causes possibles sont :

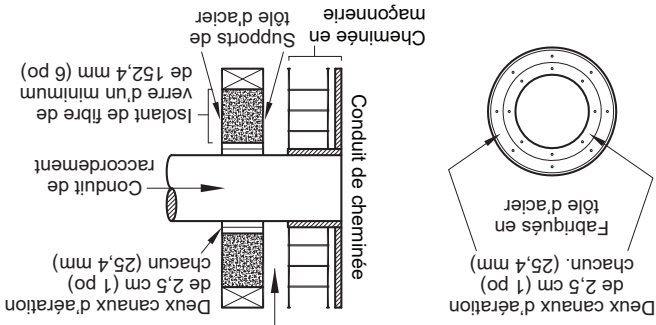
1. Le raccordement du tuyau peut avoir été poussé trop loin dans la cheminée, bloquant le tirage.
2. Ne branchez pas deux chauffages dans le même conduit de fumée.
3. La cheminée utilisée pour un chauffage ne doit pas être utilisée pour ventiler le cellier ou le sous-sol. S'il y a une porte de nettoyage à la base de la cheminée, elle doit être fermée hermétiquement.
4. Si la température de fonctionnement de la cheminée est trop froide, l'eau se condensera dans la cheminée et coulera dans le poêle. La formation de crésote sera rapide et pourrait bloquer la cheminée. Le fonctionnement de la cheminée à une température de fonctionnement suffisante pour conserver la chaleur de la cheminée peut éviter cette condensation.
5. Si le feu brûle bien, mais a des périodes où il émet de la fumée ou brûle lentement, ce pourrait être causé par le sommet de la cheminée se trouvant plus basse qu'une autre partie de la maison, ou par un arbre à proximité. Le vent soufflant par-dessus la maison ou un arbre, tombe sur le haut de la cheminée similaire ment à de l'eau passant sur un barrage, abattant la fumée vers le bas. Le haut de la cheminée doit être à au moins 91 cm (3 pi) au-dessus du toit et dépasser d'au moins 61 cm (2 pi), tout points du toit dans une distance de 3 m (10 pi).

<b>ATTENTION :</b>
UN FEU DE CHEMINÉE PEUT CAUSER L'ALLUMAGE DES MURS À COLOMBAGES OU DES CHEVRONS QUE VOUS AVEZ CRU À UNE DISTANCE SÉCURITAIRE DE LA CHEMINÉE. SI VOUS SUBISSEZ UN FEU DE CHEMINÉE, FAITES INSPECTER VOTRE CHEMINÉE PAR UNE PERSONNE COMPÉTENTE AVANT DE LA RÉUTILISER.

<b>AVERTISSEMENT:</b>
CE POÊLE À BOIS DOIT ÊTRE INSPECTÉ ET RÉPARÉ PÉRIODIQUEMENT POUR FONCTIONNER CORRECTEMENT. IL EST CONTRAIRE À LA RÉGLEMENTATION FÉDÉRALE DE FAIRE FONCTIONNER CE POÊLE À BOIS D'UNE MANIÈRE NON CONFORME AUX INSTRUCTIONS D'UTILISATION DE CE MANUEL.

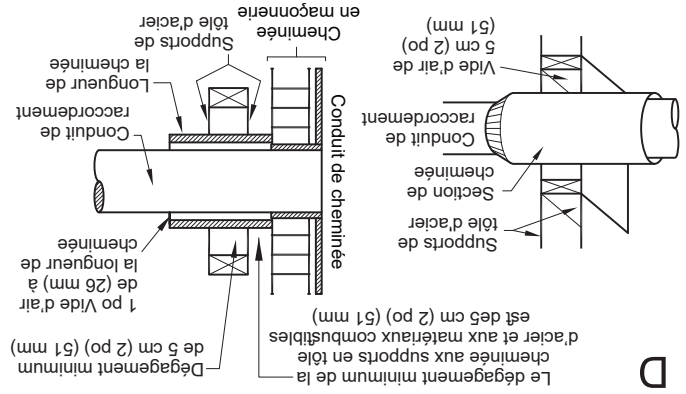
acier d'un calibre d'au moins 24 (0,024 po) d'épaisseur. Les supports de tôle d'acier doivent être solidement fixés aux surfaces murales, sur tous les côtés, et être d'une taille suffisante pour s'ajuster et maintenir la section de cheminée. Les attaches utilisées pour fixer les sections de cheminée ne doivent pas pénétrer dans le doublage du conduit de fumée.

**C** Le dégagement minimum de la cheminée aux supports en tôle d'acier et aux matériaux combustibles est de 5 cm (2 po) (50,8 mm)



**4.** Utilisez une longueur de cheminée préfabriquée répertoriée, au diamètre intérieur de 20 cm (8 po) et à isolant solide d'une épaisseur de 25 mm (1 po). La longueur minimale de cette section de cheminée doit être de 30 cm (12 po) et servira de passage pour le conduit de raccordement de 15 cm (6 po) de diamètre. Le vide d'air entre la paroi extérieure de la section de cheminée et tout matériau combustible doit être concentrique et être distancée de 25 mm (1 po) du conduit de raccordement au moyen des plaques de support de tôle d'acier à chaque extrémité de la section de cheminée. L'ouverture dans le mur combustible doit être couverte et la section de cheminée doit être soutenue des deux côtés par des supports de tôle d'acier d'un calibre d'au moins 24 (0,024 po) d'épaisseur. Les supports de tôle d'acier doivent être solidement fixés aux surfaces murales, sur tous les côtés, et être d'une taille suffisante pour s'ajuster et maintenir la section de cheminée. Les attaches utilisées pour fixer les sections de cheminée ne doivent pas pénétrer dans le doublage du conduit de fumée.

**D** Le dégagement minimum de la cheminée aux supports en tôle d'acier et aux matériaux combustibles est de 5 cm (2 po) (51 mm)



**5.** Un système de passage intramural peut être acheté et

installé selon les directives qui l'accompagnent, offrant une méthode sécuritaire pour faire traverser le conduit de raccordement à travers un mur combustible en vue d'un branchement à une cheminée en maçonnerie.

**EXIGENCES SUPPLÉMENTAIRES**

1. Le matériau utilisé dans un système de passage intramural doit être incompatible et doit comporter une conductivité thermique de 4,88 kg • cal/h • m² • °C) 1,0 Btu • po/p/°F • °F
2. Tous les dégagements et épaisseurs sont des minimums : des dégagements et épaisseurs plus élevés sont acceptables.
3. Une virole de cheminée, comme elle est indiquée ci-dessus pour 8 et 10 cm (3 et 4 po) (parties C et D respectivement à la figure 8), doit être pour les types de branchement B et 10 cm (3 et 4 po) afin de faciliter le retrait du conduit de raccordement pour le nettoyage. La virole de cheminée doit être d'argile réfractaire ASTM C315 avec une épaisseur minimale des parois, ou d'un matériau d'une durabilité équivalente, de 16 mm (5/8 po). Le diamètre intérieur de la virole doit être d'une taille pouvant s'ajuster serrée à un conduit de raccordement de 15 cm (6 po). La virole doit être installée sans dommage au conduit de fumée. La virole doit passer à travers le mur de la cheminée, mais ne pas s'étirer au-delà de la surface intérieure du conduit de fumée et doit être cimentée en place de manière permanente, avec un ciment réfractaire.
4. Un conduit de raccordement à une cheminée en maçonnerie, sauf pour 5 cm (2 po) ci-dessus (partie B de la figure 8), devrait se prolonger à travers le système de passage intramural jusqu'à la face intérieure du conduit de fumée, mais pas au-delà. Il n'a pas à être fixé en place tant qu'il n'est pas possible de le tirer accidentellement hors de la cheminée ou poussé dans le conduit de fumée. Si des attaches sont utilisées pour fixer le conduit de raccordement à une cheminée en maçonnerie, les attaches ne doivent pas pénétrer le doublage du conduit de fumée.
5. Tout matériau utilisé pour fermer des ouvertures au raccordement doit être incompatible.

En plus des méthodes montrées (A, B, C, et D de la figure 8), un système de passage intramural peut être acheté et installé selon les directives qui l'accompagnent, offrant une méthode sécuritaire de faire traverser le conduit de raccordement à travers un mur combustible en vue d'un branchement à une cheminée en maçonnerie.

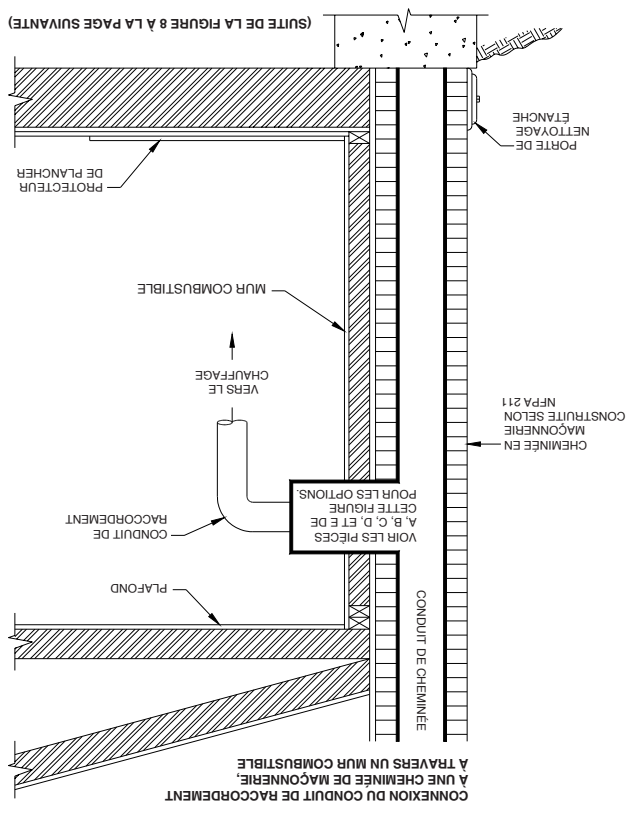
**PARTIE E**

**CONNEXION DU CONDUIT DE RACCORDEMENT À UNE CHEMINÉE DE MAÇONNERIE LORSQUE CELUI-CI NE PASSE PAS À TRAVERS UN MUR COMBUSTIBLE**

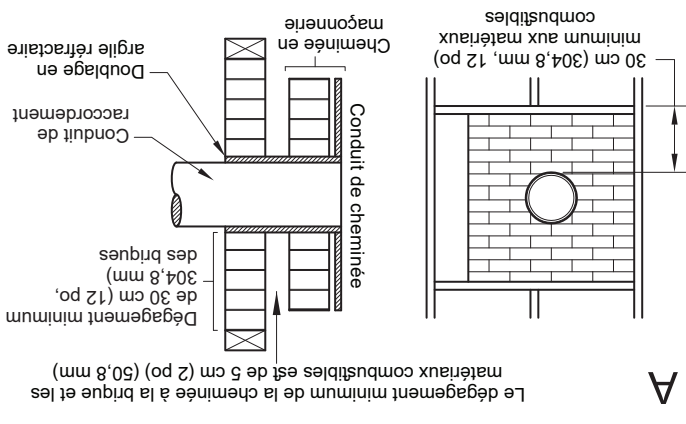
Si le conduit de raccordement n'a pas à passer à travers un mur combustible pour atteindre la cheminée en maçonnerie, branchez-le directement à la virole de la cheminée en maçonnerie, comme il est décrit aux parties A et C de la figure

fumée de l'appareil dans la pièce à travers les joints de l'appareil et du connecteur de cheminée. Une brûlure incontrôlable ou une température excessive indique un tirage excessif.

## RACCORDÉMENT DU CONNECTEUR DE CHEMINÉE À UNE CHEMINÉE DE MAÇONNERIE À TRAVERS UN MUR COMBUSTIBLE



s'ajuster de manière serrée à un conduit de raccordement de 15 cm (6 po). Le doublage d'argile réfractaire doit passer de la surface extérieure du mur de brique, jusqu'à ne pas dépasser la surface intérieure du conduit de fumée, en plus d'être cimenté en place.

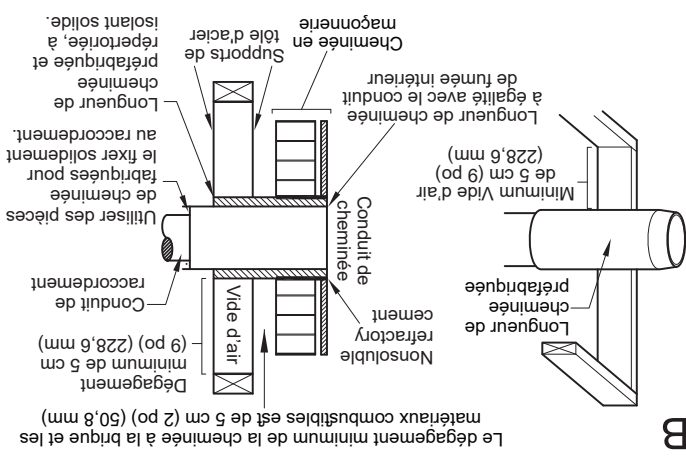


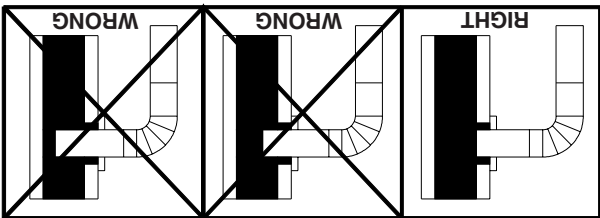
2. Utilisez une longueur de cheminée préfabriquée reportée, au diamètre intérieur de 15 cm (6 po) et à isolant solide d'une épaisseur de 25 mm (1 po). Le vide d'air entre la paroi extérieure de la longueur de cheminée et tout matériau combustible doit être d'au moins 23 cm (9 po). L'extrémité intérieure de la longueur de cheminée doit être à égalité avec l'intérieur de la cheminée en maçonnerie, la cheminée doit être scellée à son extrémité à l'entrée du briquetage, avec un ciment réfractaire insoluble par l'eau. Des supports de tôle d'acier d'un calibre d'au moins 24 (0.024 po) d'épaisseur doivent être solidement fixés aux surfaces murales, sur tous les côtés. Les attaches entre les supports et la longueur de cheminée ne doivent pas pénétrer dans le doublage de cheminée.

Les figures de ce manuel montrent comment connecter le raccord de cheminée d'un appareil de chauffage à une cheminée en maçonnerie à travers un mur combustible. Un raccord de cheminée peut être raccordé à une cheminée de maçonnerie de cinq façons possibles en passant à travers un mur combustible. La norme NFPA 211 autorise les systèmes traversants muraux suivants:

1. Utilisez un encadrement de briquetage d'au moins 9 cm (3-1/2 po) d'épaisseur dans le mur combustible. Un doublage d'argile réfractaire (ASTM C315 ou un équivalent) ayant une épaisseur de paroi d'au moins 16 mm (5/8 po) doit être utilisé et doit être situé à au moins 30 cm (12 po) de tout matériau pouvant s'enflammer. Le diamètre intérieur du doublage d'argile réfractaire doit être d'une taille pouvant

3. Utilisez une virole ventilée de 25 cm (10 po) de diamètre, composée d'acier d'un calibre de 24 (0.024 po) comportant deux canaux d'aération de 25 mm (1 po). La virole ventilée doit être séparée des matériaux combustibles par un minimum de 15 cm (6 po) d'isolant en fibre de verre. L'ouverture dans le mur combustible doit être couverte et la virole doit être soutenue par des supports de tôle





**ATTENTION :**  
**CE CHAUFFE-BOIS À Taux DE BRÛLURE UNIQUE N'EST PAS APPROUVÉ POUR UNE UTILISATION AVEC UN REGISTRE DE FUMÉE.**

## RÈGLES POUR L'INSTALLATION DU TUYAU DE RACCORDEMENT

1. L'extrémité ondulée du tuyau doit être installée en direction du chauffage. Le tuyau doit se glisser dans la buse. Le tuyau doit être solidement fixé à la buse au moyen de 3 vis, puis scellé avec du ciment à calorifère.

2. Appliquez une pente minimale de 6 mm (1/4 po) par 30 cm (1 pi) de conduit horizontal de tuyau en direction de la cheminée. La section horizontale doit être d'au moins 61 cm (24 po) du poêle.

3. Vous devez avoir un dégagement d'au moins 46 cm (18 po) entre tout tuyau horizontal et le plafond.

4. Le tuyau ne peut se prolonger à l'intérieur du conduit de fumée.

5. Scellez chaque joint de raccordement avec du ciment à calorifère. Scellez également le tuyau à la cheminée. Scellez l'intérieur avec un silicone pour températures élevées et l'extérieur avec un ruban pour températures élevées.

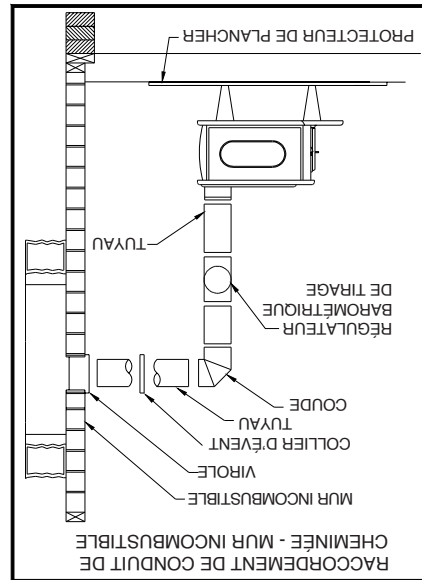
6. Utilisez 3 vis autotaraudeuses à chaque joint pour rendre le tuyau plus solide.

7. Il est recommandé d'installer un maximum de deux (2) coudes à 90 degrés pour l'installation du tuyau, sachant que de l'installer davantage pourrait diminuer l'apport en tirage et possiblement causer un dispersément de fumée.

**REMARQUE:** Le conduit de raccordement ne doit pas passer à travers un grenier ou un comble, un plancher, un plafond ou un espace vide de construction. Au Canada, si l'on souhaite traverser un mur ou une cloison de matériaux combustibles, l'installation doit être conforme avec CAN/CSA-B365.

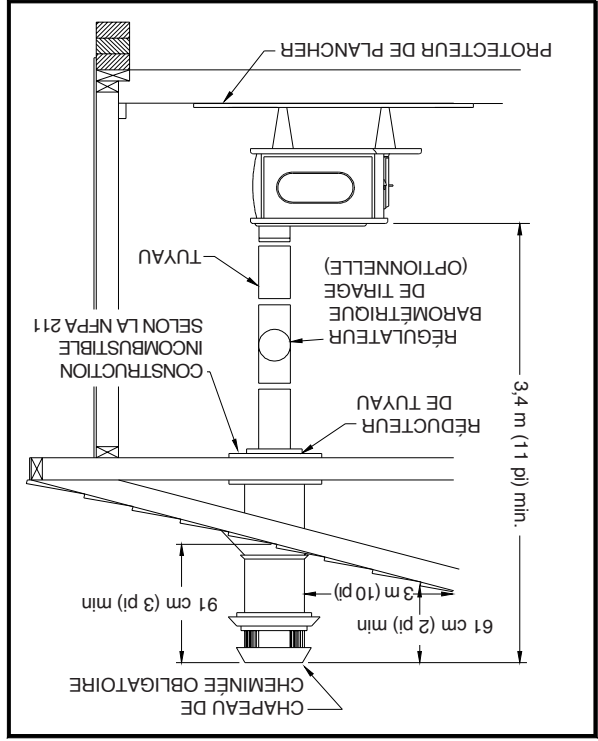
## IMPORTANT DU BON PROJET

Le tirage est la force qui déplace l'air de l'appareil vers le haut à travers la cheminée. La quantité de tirage dans votre cheminée dépend de la longueur de la cheminée, de la géographie locale, des obstacles à proximité et d'autres facteurs. Un tirage trop important peut entraîner des températures excessives dans l'appareil. Un tirage inadéquat peut provoquer un refoulement dans la pièce et un «colmatage» de la cheminée ou du catalyseur (le cas échéant). Un tirage inadéquat entraînera une fuite de



## CHEMINÉE RÉPERTORIEE UL/ULC

Suivre avec attention les instructions du fabricant. Utilisez uniquement une cheminée fabriquée en usine de 15 cm (6 po) UL 103HT/U/LC S629. Le connecteur de cheminée doit être noir ou bleu de 15 cm (6 po) avec un minimum d'acier de calibre 24. Si votre cheminée commence dans le plafond, vous aurez besoin d'une longueur de tuyau de 15 cm (6 po) pour l'atteindre. Le haut de la cheminée doit être à au moins 91 cm (3 pi) au-dessus du toit et dépasser d'au moins 61 cm (2 pi), tout point de double ou triple pari pour la portion extérieure de la cheminée.





## DÉGAGEMENTS AUX COMBUSTIBLES

- Après avoir consulté les instructions d'installation pour les dégagements minimum aux matériaux combustibles, localisez votre protecteur de plancher en conséquence et placez soigneusement le poêle dans votre emplacement sélectionné. Installer tuyau de poêle, les coudes et de à coudre si nécessaire, en utilisant soit une cheminée en maçonnerie récemment nettoyé et inspecté (correctement doublée) ou une cheminée UL, ULG. Assurer que le déflecteur de combustion fixe qui est prévu est installé dans le col de combustion.

- Encore une fois, vérifiez les illustrations suivantes et assurez-vous d'avoir les dégagements montrés du chauffage et du tuyau de raccordement par rapport aux surfaces combustibles. Si vous avez de la pierre ou de la pierre derrière votre chauffage, veuillez consulter le code de construction local quant aux règles spécifiques pouvant s'appliquer à votre région. Par contre, si le mur n'est que revêtu avec de la brique ou de la pierre, considérez-le par un mur combustible. Afin de réduire les dégagements de la cheminée par rapport aux matériaux combustibles, contactez votre service de sécurité local.

- Si votre cheminée a un tirage excessif, procurez-vous un régulateur barométrique de tirage (DR6 disponible auprès du United States Stove Company).

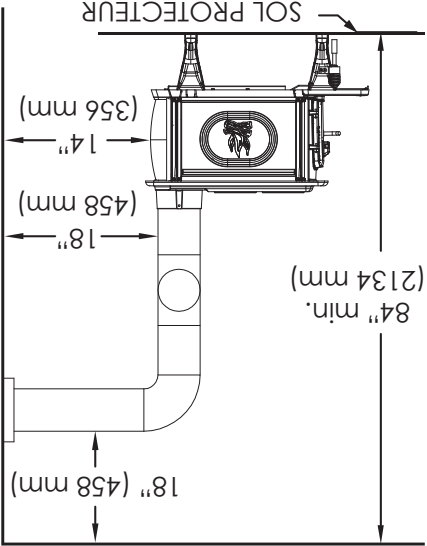
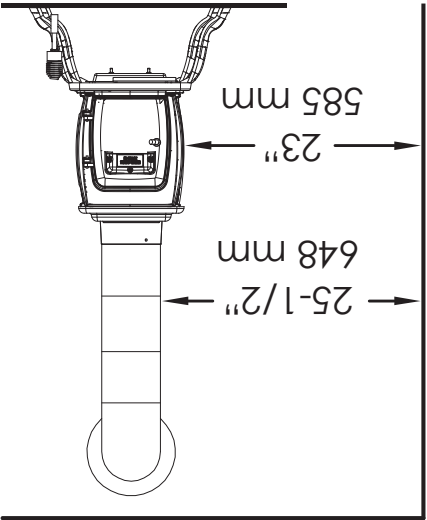
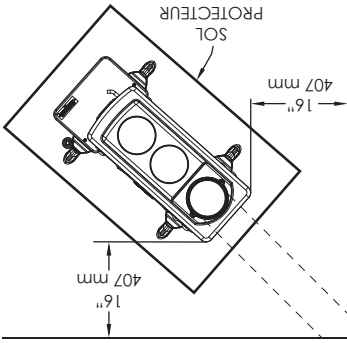
- Le raccord de cheminée devrait être aussi court que possible, et le chauffage doit posséder son propre conduit de cheminée. **NE BRANCHEZ PAS CETTE UNITÉ À UN CONDUIT DE FUMÉE UTILISÉ PAR UN AUTRE APPAREIL.**

- Utilisez trois vis auto taraudeuses dans chaque tuyau de poêle ou joint coude pour maintenir solidement le tuyau. Scellez le pourtour des vis.

- N'installez pas ce chauffage dans une maison mobile. Vérifiez vos codes de construction et d'assurance. L'installation doit respecter ces règles.

**CAUTION!**

- GARDER LES MEUBLES ET AUTRES MATÉRIAUX COMBUSTIBLES À L'ÉCART DU CHAUFFAGE.
- GARDER LA ZONE ADJACENTE AU CHAUFFAGE LIBRE DE TOUTES MATIÈRES COMBUSTIBLES, ESSENCE ET AUTRES VAPEURS INFLAMMABLES.



## CHEMINÉE EN MAÇONNERIE

La cheminée de maçonnerie doit être approuvée par le code et avoir un conduit de cheminée. La cheminée de maçonnerie doit respecter les codes UL, ULG. Avant d'utiliser une cheminée en maçonnerie existante, nettoyez la cheminée et inspectez-en le doublage pour s'assurer que le fonctionnement sera sécuritaire. Apportez les réparations nécessaires avant de raccorder le chauffage. Voir la page 3, élément 5. Regardez à la Fig. 5. Le tuyau de raccordement et le matériel nécessaire au branchement direct à une cheminée en maçonnerie y sont montrés. Si le tuyau de raccordement doit passer à travers un mur combustible avant d'entrer dans la cheminée en maçonnerie, consultez un maçon compétent ou un représentant en cheminées. L'installation doit être conforme aux codes locaux d'incendie, et au NFPA 211 (É.-U.) ou CAN/CSA-B365-M91 (CANADA). Ne pas brancher ce chauffage dans le même conduit de fumée que le foyer d'un autre chauffage. La cheminée utilisée pour un chauffage ne doit pas être utilisée pour ventiler le cellier ou le sous-sol. S'il y a une porte de nettoyage à la base de la cheminée, fermez-la hermétiquement.


**AVIS DE SÉCURITÉ:**

- L'INSTALLATION INCORRECTE DE CE POÊLE POURRAIT ENTRAÎNER L'INCENDIE DU DOMICILE. AFIN DE RÉDUIRE LE RISQUE D'INCENDIE, RESPECTEZ LES INSTRUCTIONS D'INSTALLATION. NE PAS RESPECTER LES INSTRUCTIONS PEUT ENTRAÎNER DES DOMMAGES MATÉRIELS, DES BLESSURES PERSONNELLES VOIRE LA MORT!
- CONSULTEZ LES FONCTIONNAIRES MUNICIPAUX DE CONSTRUCTION OU DE LUTTE CONTRE LES INCENDIES AFIN DE CONNAÎTRE LES LIMITATIONS ET LES EXIGENCES D'INSTALLATION DE VOTRE RÉGION.
- UTILISEZ DES DÉTECTEURS DE FUMÉE DANS LA PIÈCE DANS LAQUELLE LE POÊLE EST INSTALLÉ.
- MAINTENEZ LE MOBILIER ET LES RIDEAUX ÉLOIGNÉS DU POÊLE.
- N'UTILISEZ PAS D'ESSENCE, DE COMBUSTIBLE LIQUIDE D'ALLUMAGE DE CHARBON OU DE LIQUIDES SIMILAIRES POUR DÉMARRER OU « RAVIVER » UN FEU DANS CE POÊLE. MAINTENEZ TOUS CES LIQUIDES ÉLOIGNÉS DU POÊLE.
- NE PAS BRANCHER OU UTILISER EN CONJONCTION AVEC TOUT CONDUIT DE DISTRIBUTION FOURNIR DE L'AIR POUR LA COMBUSTION DE L'EXTÉRIEUR DE LA MAISON À LA PIÈCE O LE CHAUFFAGE EST SITUÉ. SI L'ENTRÉE N'EST PAS DANS LA MÊME PIÈCE, L'AIR DOIT AVOIR UN ACCÈS LIBRE DANS LA CHAMBRE.
- BRANCHEZ TOUJOURS CET APPAREIL À UNE CHEMINÉE ET ÉVENT À L'EXTÉRIEUR. NE JAMAIS VENTILER DANS UNE AUTRE PIÈCE OU À L'INTÉRIEUR D'UN BÂTIMENT. NE PAS RACCORDER CET APPAREIL À UN FUMÉ DE CHEMINÉE SERVANT UN AUTRE APPAREIL.
- TOUTES LES PERSONNES, EN PARTICULIER LES ENFANTS, DOIVENT ÊTRE ALERTES DES DANGERS PROVENANT DE TEMPÉRATURES DE SURFACE ÉLEVÉES ET TENIR À L'ÉCART PENDANT L'UTILISATION. LES PETITS ENFANTS NE DEVRAIENT PAS ÊTRE LAISSÉS SANS SUPERVISION QUAND DANS LA CHAMBRE AVEC LE CHAUFFAGE.
- CET APPAREIL NE DOIT PAS ÊTRE UTILISÉ COMME SOURCE PRIMAIRE DE CHALEUR.
- CE RADIATEUR D'AMBIANCE NE DOIT PAS ÊTRE INSTALLÉ DANS UN Foyer PRÉFABRIQUÉ.


**AVIS DE SÉCURITÉ:**

NE PAS RACCORDER UN CHAUFFAGE AU BOIS À UN ÉVENT À GAZ DE TYPE B. CE CI N'EST PAS SÛR ET EST INTERDIT PAR LE CODE DE L'ASSOCIATION NATIONALE DE PROTECTION INCENDIE. CET APPAREIL DE CHAUFFAGE NECESSITE UNE MAÇONNERIE APPROUVÉE OU UL, UN TYPE RÉSIDENTIEL HOMOLOGUÉ ULC ET UNE CHEMINÉE D'APPAREIL DE CHAUFFAGE DE BÂTIMENT. UTILISEZ UNE CHEMINÉE DE 6" DE DIAMÈTRE OU PLUS GRANDE, ASSEZ ÉLEVÉE POUR DONNER UN BON TIRAGE.

**NATIONAL FIREPLACE INSTITUTE**  
 à bois soient installés et entretenus par des professionnels certifiés aux États-Unis par le National Fireplace Institute (NFI) en tant que spécialiste du chauffage au bois NFI ou certifiés au Canada par le programme de formation technique en énergie certifié (WETT).  
 www.nfi-certified.org



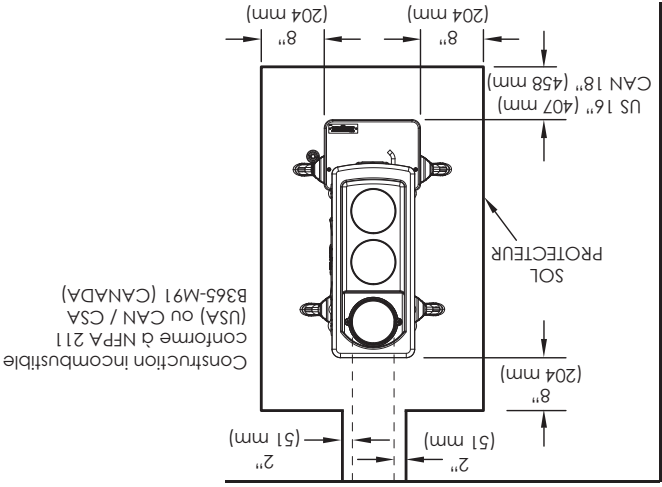
**WOOD ENERGY TECHNICAL TRAINING**  
 www.wettinc.ca



Votre appareil de chauffage doit être installé par un technicien qualifié NFI (États-Unis) ou WETT (Canada). Pour trouver l'installateur qualifié le plus proche, rendez-vous sur : <https://www.wettinc.ca> or <https://www.nfi-certified.org>

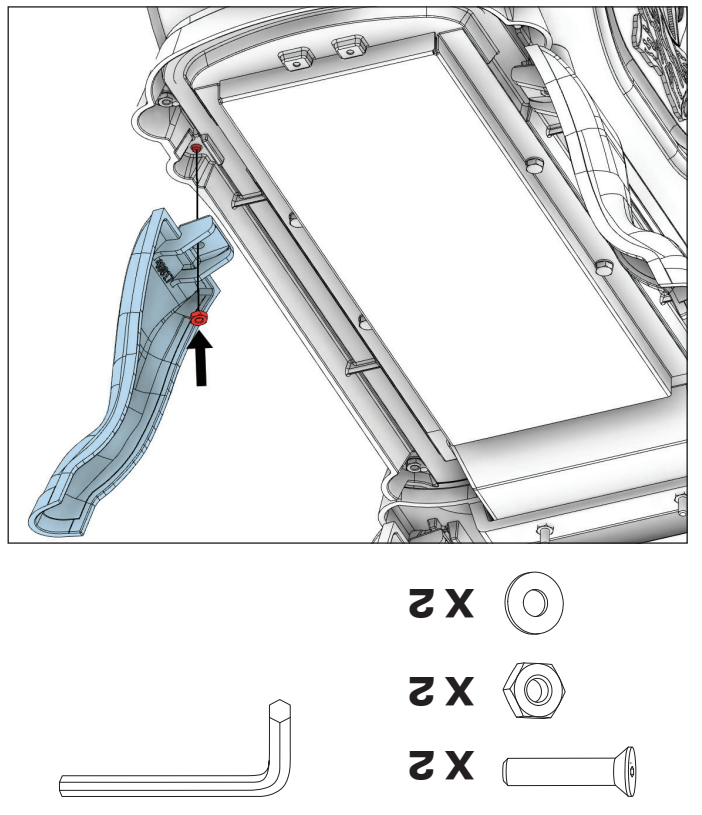
**PROTECTEUR DE PLANCHER**

Placez le chauffage sur une solide maçonnerie ou du béton. Lorsque le chauffage est utilisé sur un plancher combustible, utilisez un protecteur de plancher répertorié par Underwriters. Le protecteur de plancher doit respecter les normes UL (É.-U.) et CAN/ULC (Canada) et a une valeur R de 2,06. Le protecteur de plancher doit dépasser d'au moins 16 po au-delà du côté de la porte de l'appareil de chauffage et 8 po de chaque côté. Il devrait également étendre 8 po au-delà de l'arrière pour le Canada. Le protecteur de plancher doit étendre 2 po au-delà de chaque côté du conduit de fumée si elle est coudeé vers un mur, ainsi que 2 po de chaque côté de la cheminée pour les courses horizontales.

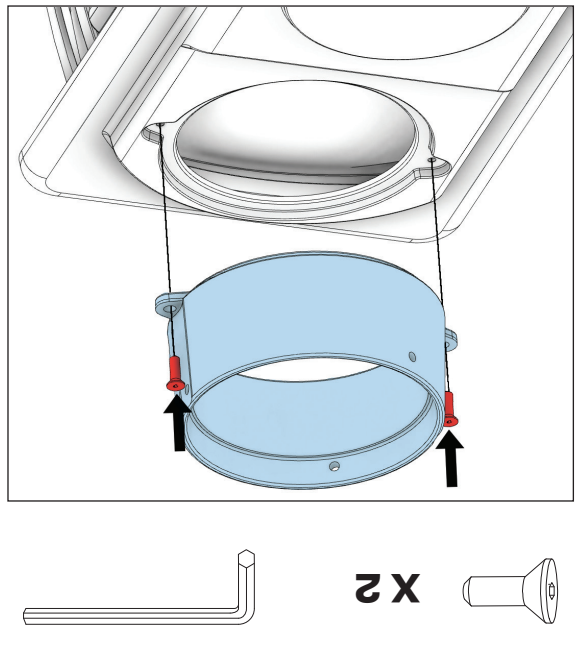


Construction inc combustible  
 conforme à NFPA 211  
 (USA) ou CAN / CSA  
 B365-M91 (CANADA)

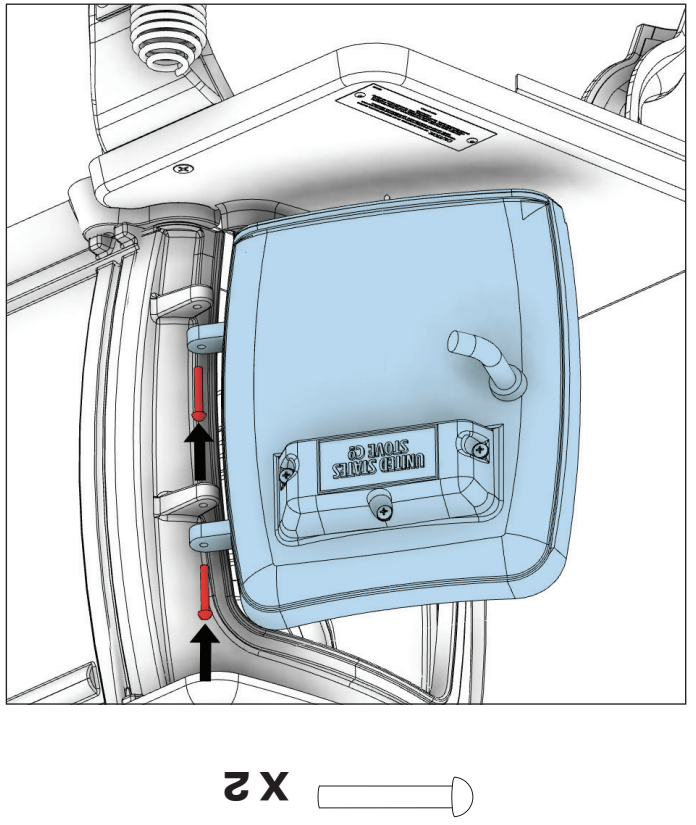
7. Fixez les pattes arrière à la base du poêle avec deux (2) vis, écrous et rondelles M8 X 45. Utilisez la grande clé hexagonale fournie pour bien serrer chaque vis.

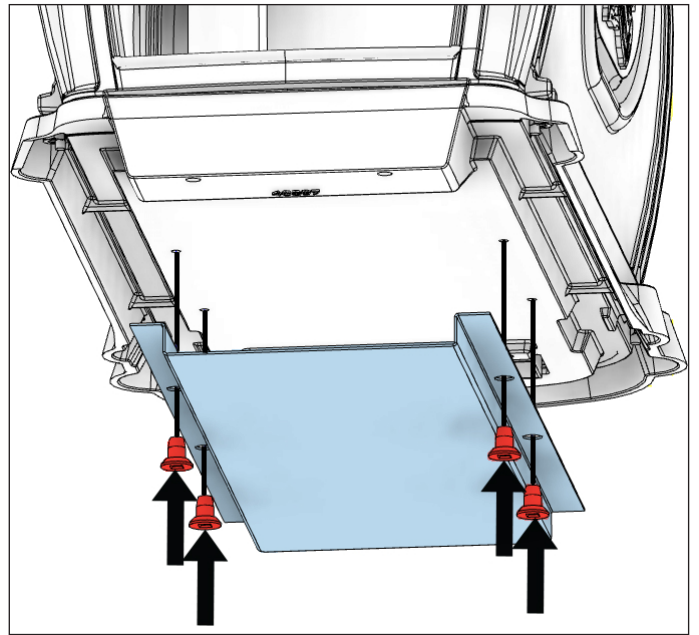


8. Soulevez délicatement le poêle à la verticale et placez-le à l'endroit souhaité. Alignez les trous de la buse avec les trous du poêle et fixez-les à l'aide de (2) deux vis M6 X 15. Utilisez la petite clé hexagonale fournie pour bien serrer chaque vis.

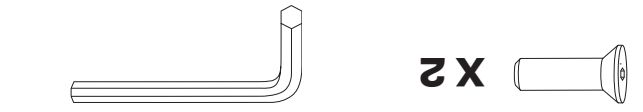
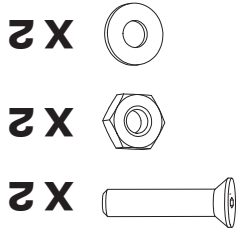


9. Abaissez la porte d'alimentation en position tout en alignant les axes de charnière.

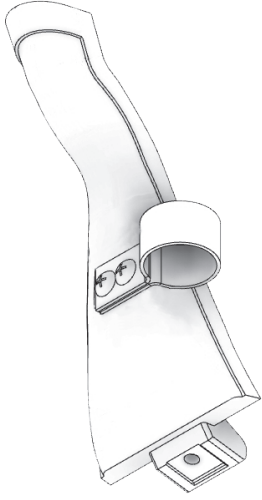
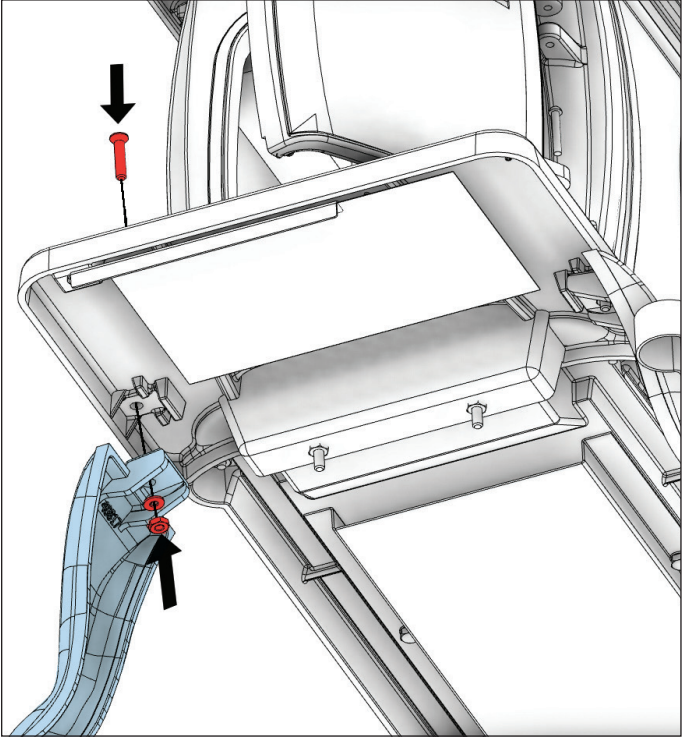
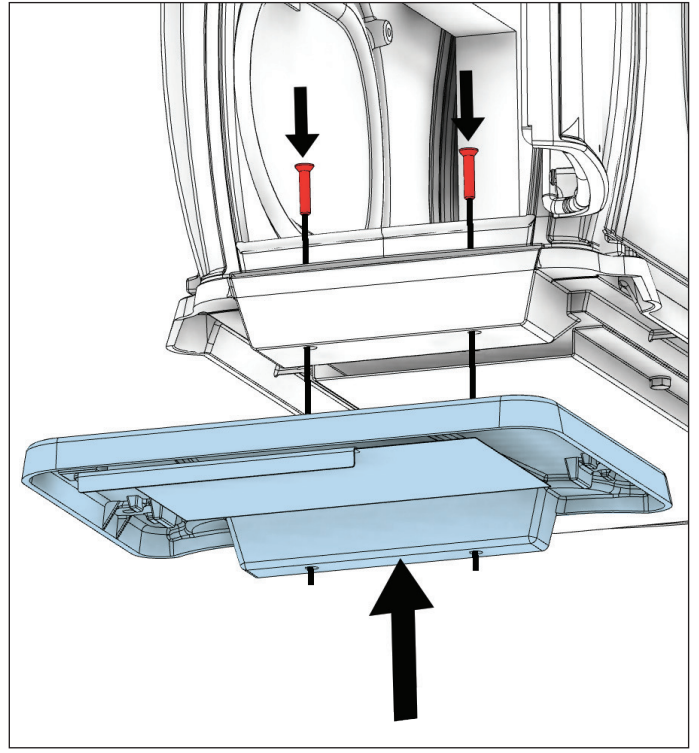




6. Fixez les pieds avant au foyer avec deux (2) vis, écrous et rondelles M8 x 45. Utilisez la grande clé hexagonale fournie pour bien serrer chaque vis. REMARQUE : Un seul pied est équipé d'un support de poignée. Ce pied avec support est conçu pour être installé sur le côté avant droit de l'unité.



5. Fixez le foyer au bas du poêle à l'aide de deux (2) vis M8 x 25. Utilisez la grande clé hexagonale fournie pour bien serrer chaque vis.



Retirez les éléments suivants situés à l'intérieur du foyer de ce poêle:

poêleSafety Glasses

Remarque: les éléments suivants ne sont pas inclus avec votre

Gants de foyer

Crayon

Règle pliante ou ruban à mesurer

Cisailles

Percer

1/8 po dia. Foret

Cle à molette

N ° 2 tournevis philips

Raccord de cheminée

Vis à tôle 1/2 po

Cheminée

Ciment De Four

Protecteur de sol tel que spécifié

Qté	Description	
1	Foyer	
1	Canal intérieur	
1	Collier de cheminée	
4	Jambes	
1	Ensemble poignée	
1	Porte	

**ATTENTION :**

LE POËLE EST LOURD. ASSUREZ-VOUS D'AVOIR SUFFISAMMENT D'AIDE ET D'UTILISER LES TECHNIQUES APPROPRIÉES DE LEVAGE LORSQUE VOUS DÉPLACEZ LE POËLE.

**AVIS :**

UNITED STATES STOVE COMPANY N'ACCORDE AUCUNE GARANTIE, IMPLICITE OU DÉCLARÉE, POUR L'INSTALLATION OU L'ENTRETIEN DE VOTRE POËLE À BOIS, ET N'ASSUME AUCUNE RESPONSABILITÉ QUANT À TOUTS DOMMAGES CONSÉCUTIFS.

1. Déballer le poêle et retirer les matériaux d'emballage et le sac de protection en polyéthylène (conserver la boîte en carton pour un assemblage ultérieur).
2. Retirez les pièces de l'intérieur du poêle.
3. Placer le carton aplati sur le sol et retourner soigneusement le poêle sur le carton.
4. Fixez le canal d'air intérieur avec quatre (4) vis M6 X 15. Utilisez la petite clé hexagonale fournie pour bien serrer chaque vis.



Votre poêle à bois ne doit être installé que par un installateur qualifié NFI. Un installateur qualifié NFI peut être trouvé à [www.nficertified.org/public/find-an-nfi-pro/](http://www.nficertified.org/public/find-an-nfi-pro/)

## ASSISTANCE TECHNIQUE

1-800-750-2723 poste 5050

Texte au 423-301-5624

Envoyez un e-mail à: [customerservice@usstove.com](mailto:customerservice@usstove.com)

## LISTE DE CONTRÔLE DE MISE EN SERVICE

Cette liste de contrôle doit être remplie intégralement par la personne qualifiée qui installe cet appareil. Conservez cette page pour référence future.

Le fait de ne pas installer et mettre en service selon les instructions du fabricant et de remplir cette liste de contrôle annulera la garantie.

S'il te plaît imprime

Nom du client:												Numéro de Téléphone											
Adresse:																							
Modèle:																							
Numéro de série:																							
Nom de la société d'installation:												Numéro de Téléphone:											
Nom du technicien d'installation:												Numéro de Licence:											

## DESCRIPTION DU TRAVAIL

Emplacement de l'appareil installé:

Système de cheminée: nouveau système de cheminée  Oui  Non si oui, marque \_\_\_\_\_

Si non, date d'inspection du système de cheminée existant: \_\_\_\_\_

## MISE EN SERVICE

Confirmer l'installation du tapis de foyer conformément aux instructions d'installation \_\_\_\_\_

Confirmer le bon placement des pièces internes \_\_\_\_\_

Vérifier la solidité du joint de porte et de l'étanchéité de la porte \_\_\_\_\_

Confirmer les dégagements aux combustibles selon les instructions d'installation de ce manuel \_\_\_\_\_

Vérifier le fonctionnement des commandes pneumatiques \_\_\_\_\_

Confirmer que tous les tuyaux de fumée et le système de cheminée sont sécurisés et scellés \_\_\_\_\_

Confirmez que le poêle tire correctement lorsqu'il est allumé \_\_\_\_\_

Assurez-vous qu'un avertisseur de CO est installé conformément aux codes du bâtiment locaux et qu'il est fonctionnel \_\_\_\_\_

Expliquer le fonctionnement en toute sécurité, l'utilisation appropriée du carburant, le nettoyage et les exigences d'entretien courant \_\_\_\_\_

\_\_\_\_\_

Déclaration d'achèvement: En tant que personne qualifiée responsable des travaux ci-dessus, je confirme que l'appareil en tant que

travail associé a été installé conformément aux instructions du fabricant et en suivant les codes de construction et d'installation

applicables.

Signé: \_\_\_\_\_

Nom en lettres moulées \_\_\_\_\_

Date: \_\_\_\_\_

**Propriétaire du domicile: CONSERVEZ CETTE INFORMATION POUR RÉFÉRENCE FUTURE**

Les instructions relatives à l'installation de votre poêle à bois respectent les normes UL et ULC. Ce manuel décrit l'installation et l'utilisation du poêle à bois US1269E, modèle United States Stove Company. Cet appareil de chauffage respecte les limites d'émission de bois des litères vendues après le 15 mai 2020 par la Environmental Protection Agency des États-Unis pour l'Environnemental Protection Agency (EPA). Dans des conditions de test spécifiques de l'EPA, brûlier du bois dimensionnel en sapin Douglas, il a été démontré que cet appareil produisait de la chaleur à un taux de 29 234 et 26 300 Btu / h. Cet appareil de chauffage a atteint un taux d'émission de particules de 1,8 g / h lorsqu'il a été testé selon la méthode ASTM E2780-10 Single Burn Rate Appendice (\* et avec un rendement de 67%).

Combustible :	Bois
Couleurs :	Noir mat
Diamètre du tuyau de raccordement :	15 cm (6 po)
Type de tuyau de raccordement : (Mur simple standard)	Noir ou acier bleu 650°C (2100°F)
Hauteur minimum de la cheminée :	3,7 m (12 pi)
Longueur maximum de bûche :	483 mm (19 po)
Électrique :	Aucun
Dimensions	
Général (profondeur x largeur x hauteur) :	813 x 585 x 653 mm (32 po x 23 po x 25,75 po)
Chambre de combustion : Largeur x profondeur :	229 mm x 482 (9 x 19 po)
Volume : Mètres cubes (pieds cubes) :	0,03 mètre cube (1,2 pied cube)
Ouverture de la porte :	191 mm x 230 mm (7,5 po X 9 po)
Poids (kg (lb)) :	54,8 kg (121 lb)

- AVERTISSEMENTS:**
- CHAUD DURANT LE FONCTIONNEMENT. MAINTENEZ LES ENFANTS, LES VÊTEMENTS ET LE MOBILIER ÉLOIGNÉS.
  - TOUT CONTACT PEUT ENTRAÎNER DES BRÛLURES.
  - N'UTILISEZ PAS DE PRODUITS CHIMIQUES NI DE FLUIDES POUR DÉMARRER LE FEU.
  - NE LAISSEZ PAS LE POÊLE SANS SURVEILLANCE LORSQUE LA PORTE EST LÉGÈREMENT OUVERTE.
  - NE BRÛLEZ PAS DE DÉCHETS NI DE FLUIDES INFLAMMABLES TELS QUE L'ESSENCE, LE NAPHTHA OU L'HUILE POUR MOTEUR.
  - NE CONNECTEZ PAS LE POÊLE À UN CONDUIT OU CIRCUIT DE DISTRIBUTION D'AIR.
  - FERMEZ TOUJOURS LA PORTE APRÈS L'ALLUMAGE.



**Remarque:** Enregistrez votre produit en utilisant votre téléphone intelligent avec le code QR. Conservez vos reçus avec vos dossiers pour toute réclamation au titre de la garantie. Vous pouvez également enregistrer votre produit en ligne sur [www.usstove.com/support/product-registration](http://www.usstove.com/support/product-registration) / OU en téléchargeant l'application US Stove Company disponible pour iOS et Android.

Pour le service client, veuillez appeler: 1-800-750-2723 poste 5050 ou; Texte au 423-301-5624 ou; Écrivez-nous à: [customerservice@usstove.com](mailto:customerservice@usstove.com)

**UNITED STATES  
STOVE CO.®**

ESTD 1869

Numéro De Modèle:

**US1269E**

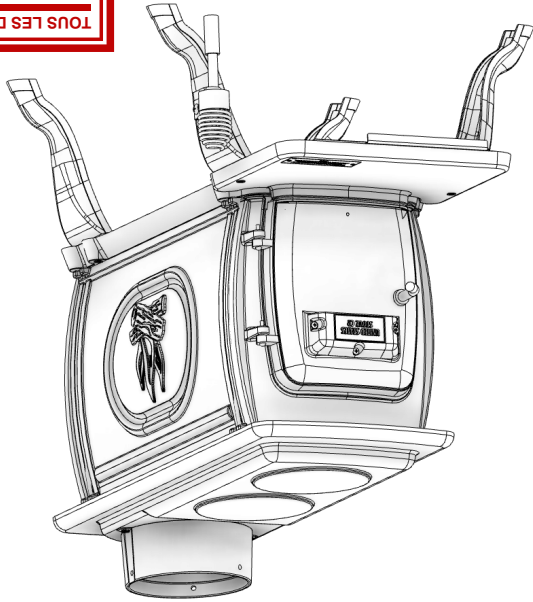


Rapport No: F19-526

Certifié UL1482-2022

CAN/ULC S627:2023

N'utilisez pas cet appareil dans une maison mobile.



**BREVET**  
EN ATTENDANT  
TOUS LES DROITS SONT RÉSERVÉS

\* Toutes les images de ce manuel sont à des fins d'illustration uniquement. Le produit réel peut varier.

Conservez ces instructions dans un endroit sûr pour référence ultérieure.



**AVIS DE SÉCURITÉ:** Si ce radiateur n'est pas correctement installé, un incendie peut en résulter. Pour votre sécurité, suivez les instructions d'installation. N'utilisez jamais de compromis de fortune lors de l'installation de ce radiateur. Contactez les responsables locaux du bâtiment ou des pompiers pour connaître les permis, les restrictions et les exigences d'installation dans votre région. NE JAMAIS UTILISER CE PRODUIT SANS SURVEILLANCE.



**MISE EN GARDE!** Veuillez lire l'intégralité de ce manuel avant d'installer ou d'utiliser votre nouveau radiateur. Le non-respect des instructions peut entraîner des dommages matériels, des blessures corporelles ou même la mort. Une installation incorrecte pourrait annuler votre garantie!

**AGENCE AMÉRICAINNE DE PROTECTION DE  
L'ENVIRONNEMENT**

Certifié conforme aux normes d'émissions de particules de 2020 pour les appareils de chauffage à combustion simple. Ce poêle à bois à combustion unique n'est pas approuvé pour utilisation avec un registre de combustion.

**AVERTISSEMENT SUR LA PROPOSITION 65 DE LA**



**CALIFORNIE:**

Ce produit peut vous exposer à des produits chimiques, y compris le monoxyde de carbone, qui est connu dans l'État de Californie pour provoquer le cancer, des anomalies congénitales et / ou d'autres troubles de la reproduction. Pour plus d'informations, visitez [www.P65warnings.ca.gov](http://www.P65warnings.ca.gov)

CE MANUEL EST SUJET À MODIFICATION SANS PRÉAVIS.