

Owner's Instruction and Operation Manual

**UNITED STATES
STOVE CO.**

EST[®] 1869

Model Number:

TH100

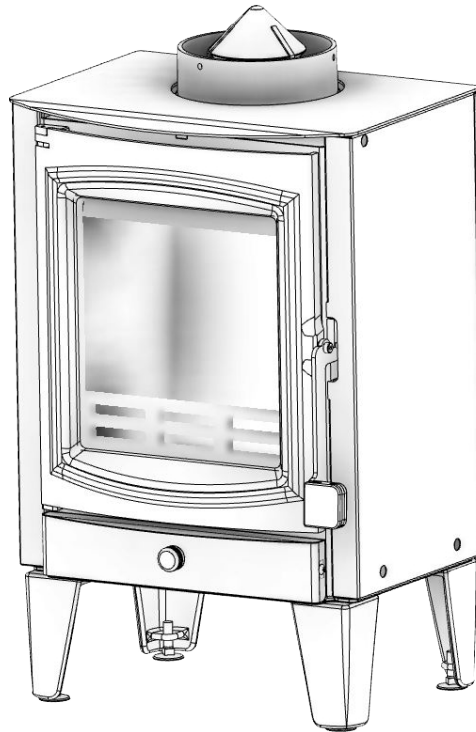


Report Number: F22-781

Tested Per EPA Methods 28R and ASTM E2515
and ASTM E2780 and CSAB415.1

Certified to UL 1482-2022 and
ULC-S627:2023

Mobile home/transportable building approved



ALL RIGHTS RESERVED
**PATENT
PENDING**
ALL RIGHTS RESERVED

* All Pictures In This Manual Are For Illustrative Purposes Only. Actual Product May Vary.

853954F-1904N

Save These Instructions In A Safe Place For Future Reference.



SAFETY NOTICE: If this heater is not properly installed, a house fire may result. For your safety, follow the installation instructions. Never use make-shift compromises during the installation of this heater. Contact local building or fire officials about permits, restrictions and installation requirements in your area. **NEVER OPERATE THIS PRODUCT WHILE UNATTENDED.**



CAUTION! Please read this entire manual before you install or use your new room heater. Failure to follow instructions may result in property damage, bodily injury, or even death. Improper Installation Will Void Your Warranty!

U.S. Environmental Protection Agency

Certified to comply with 2020 particulate emissions standards.

⚠️ CALIFORNIA PROPOSITION 65 WARNING:

This product can expose you to chemicals including carbon monoxide, which is known to the State of California to cause cancer, birth defects, and/or other reproductive harm. For more information, go to www.P65warnings.ca.gov

THIS MANUAL IS SUBJECT TO CHANGE WITHOUT NOTICE.

This manual describes the installation and operation of the USSC TH100 wood heater. This heater meets the 2020 U.S. Environmental Protection Agency’s cordwood emission limits for wood heaters sold after May 15, 2020. Under specific test conditions this heater has been shown to deliver heat at rates ranging from 10,652 to 26,028 Btu/hr with 1.7 g/hr and 75% efficiency. Note: The BTU ratings mentioned above are based on the EPA test protocol under specific test conditions. Our advertised BTU’s are based on the first hour of operation at high burn rate burning dry cordwood.

Combustible:	Wood		
Colors:	Black		
Flue Pipe Diameter:	6” (153 mm)		
Flue Pipe Type:	Black or Blued Steel 2100°F (650°C)		
Minimum Chimney Height:	12’ (3.7 m)		
Maximum Log Length:	11” (279 mm)		
Electrical:	120VAC, 0.55A, 60Hz		
Dimensions			
	DEPTH	WIDTH	HEIGHT
Overall: Depth x Width x Height:	13” (330 mm)	16.4” (417 mm)	26.75” (680 mm)
Combustion Chamber: Width x Depth:	11.25” x 8.5” (286 mm X 216 mm)		
Firebox Volume: Cubic Feet:	.59 cubic feet		
Door Opening: Width x Height:	9.6” x 9.6” (244 mm X 244 mm)		
Pyroceramic Glass Door: (Viewing) Width x Height:	9.5” x 10.5” (241 mm X 267 mm)		

CAUTIONS:

- **HOT WHILE IN OPERATION. KEEP CHILDREN, CLOTHING AND FURNITURE AWAY. CONTACT MAY CAUSE SKIN BURNS.**
- **DO NOT USE CHEMICALS OR FLUIDS TO IGNITE THE FIRE.**
- **DO NOT LEAVE THE STOVE UNATTENDED WHEN THE DOOR IS SLIGHTLY OPENED.**
- **DO NOT BURN GARBAGE, FLAMMABLE FLUID SUCH AS GASOLINE, NAPHTHA OR MOTOR OIL.**
- **DO NOT CONNECT TO ANY AIR DISTRIBUTION DUCT OR SYSTEM.**
- **ALWAYS CLOSE THE DOOR AFTER THE IGNITION.**



Note: Register your product by using your smart phone with the QR code. Save your receipts with your records for any warranty claims.

You can also register your product online at www.usstove.com/support/product-registration / OR by downloading the US Stove Company app available for iOS and Android.

For Customer Service, please call:
1-800-750-2723 Ext 5050 or;
Text to 423-301-5624 or;
Email us at:
customerservice@usstove.com

INSTALLATION CHECKLIST



Your Wood Stove should be installed by a qualified installer only. An NFI qualified Installer can be found at; www.nficertified.org/public/find-an-nfi-pro/

CUSTOMER SERVICE

1-800-750-2723 ext 5050
Text to 423-301-5624
Email to: Customerservice@usstove.com

COMMISSIONING CHECKLIST

This checklist is to be completed in full by the qualified person who installs this unit. Keep this page for future reference. Failure to install and commission according to the manufacturer's instructions and complete this checklist will invalidate the warranty.

Please Print

Customer Name:	Telephone Number:
Address:	
Model:	
Serial Number:	
Installation Company Name:	Phone Number:
Installation Technician's Name:	License Number:

DESCRIPTION OF WORK

Location of installed appliance: _____

Chimney System: New Chimney System Yes No If yes, Brand _____

If no, Date of inspection of the existing chimney system: _____

COMMISSIONING

- Confirm Hearth Pad Installation as per Installation Instructions.....
- Confirm proper placement of internal parts.....
- Check soundness of door gasket and door seals
- Confirm clearances to combustibles as per installation instructions in this manual
- Check the operations of the air controls.....
- Confirm all flue pipe and chimney system are secure and sealed.....
- Confirm the stove properly drafts when fired.....
- Check to ensure a CO alarm is installed as per local building codes and is functional.....
- Explain the safe operation, proper fuel usage, cleaning and routine maintenance requirements.....

Declaration of Completion: As the qualified person responsible for the work described above, I confirm that the appliance as associated work has been installed as per manufacturer's instructions and following any applicable building and installation codes.

Signed: _____ Print Name: _____ Date: _____

Home Owner: RETAIN THIS INFORMATION FOR FUTURE REFERENCE

FOR CUSTOMER SERVICE CALL: 800-750-2723 EXT 5050

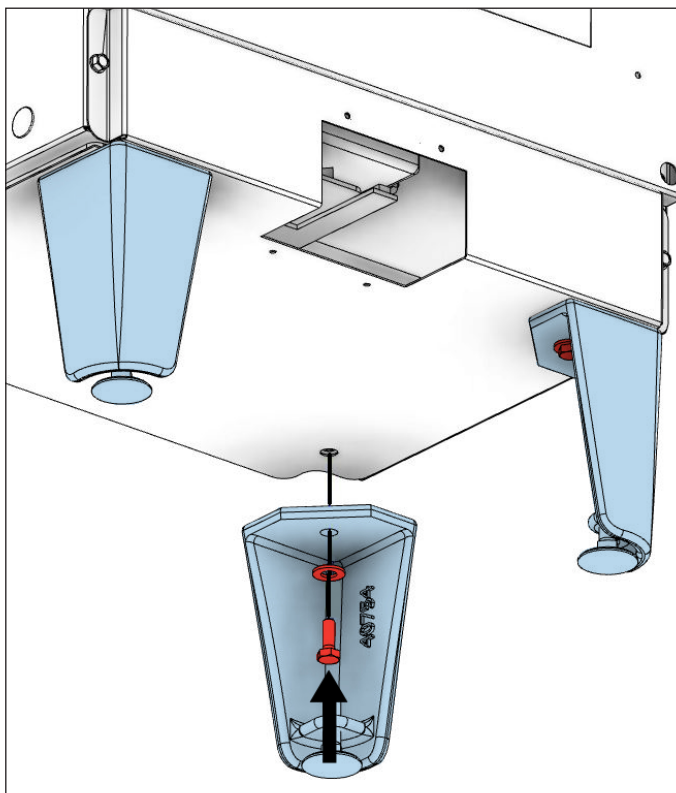
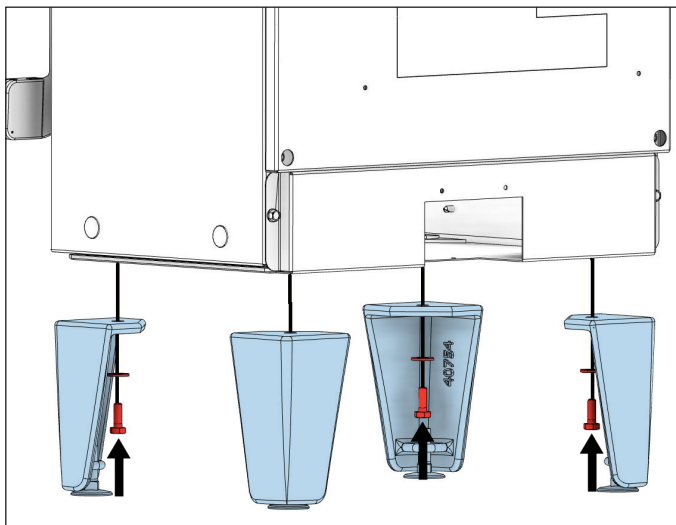
TOOLS AND MATERIALS

You will need the following items for installation:

- A drill phillips head screwdriver.
- A ratchet wrench with a 7/16" and 1/2" sockets or wrenches to install flue collar and leg assembly to the unit.
- An 1/8" drill bit to drill pilot holes into the vent pipe for securing each section.
- A non-combustible floor protector as specified in this manual.
- All chimney and chimney connector components for your particular chimney installation.
- Additional items for Mobile home/transportable buildings may be needed. See "For use in Mobile home/transportable buildings" section of this manual.

LEG INSTALLATION

Carefully lay the heater on its back and install all four legs using a total of four (4) 1/4-20 hex bolts (c) and four (4) washers (b). Note: To prevent scratching lay cardboard down before placing the heater on its back.

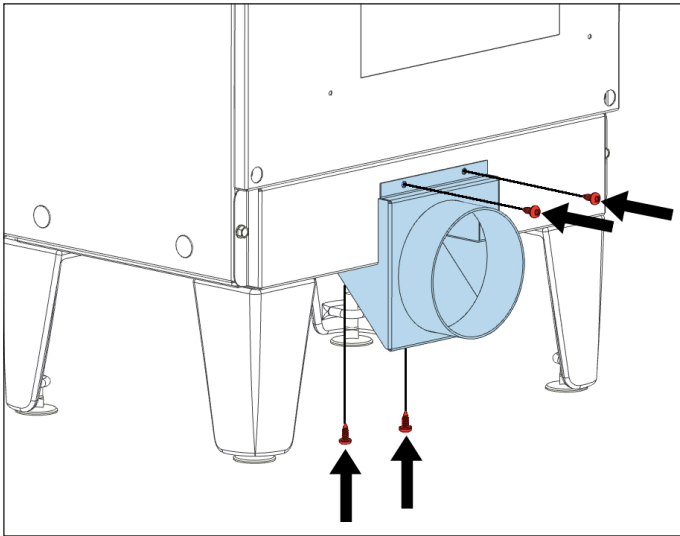


Key	Description	Qty	
a	# 10 Sheet Metal Screw	22	
b	Washer	4	
c	1/4-20 Hex Bolt	4	
d	5/16-18 x 1-1/2 Bolt	3	
e	Washer	3	
f	Weld Tab	3	
g	Sheet Metal Screw	10	
h	1/4 x 1-1/2 Lag Screw	2	

ASSEMBLY INSTRUCTIONS

50FAK AIR INTAKE

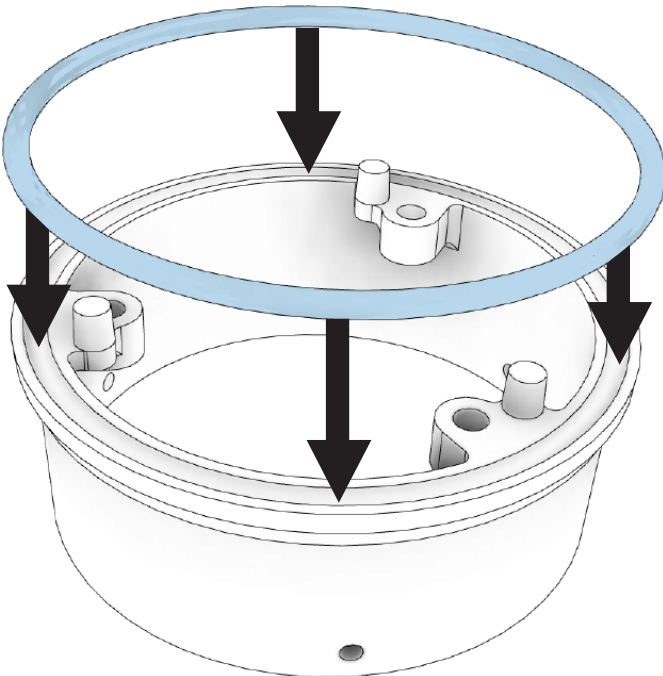
Attach the 50FAK air intake using the four (4) sheet metal screws (g) provided.



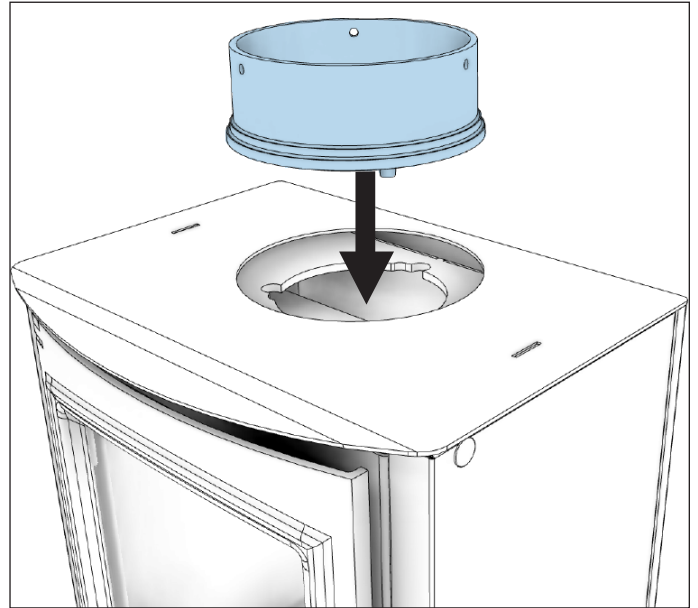
FLUE COLLAR ASSEMBLY

Mount the flue collar to the top of the unit as shown in the following steps using the three (3) 5/16-18 x 1-1/2 bolts (d), three (3) washers (e), and three (3) weld tabs (f) provided in the parts box.

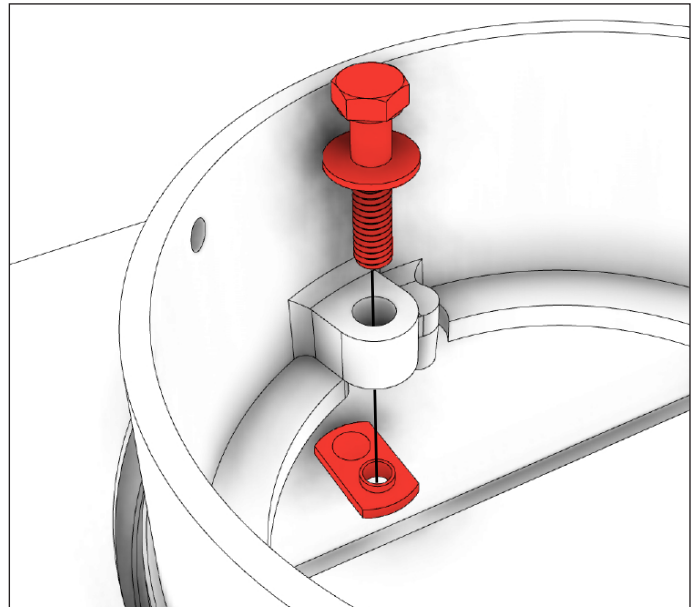
1. The rope groove is located on the bottom section of the flue collar. Remove the paper backing from the rope gasket. Press the rope gasket firmly into rope groove.



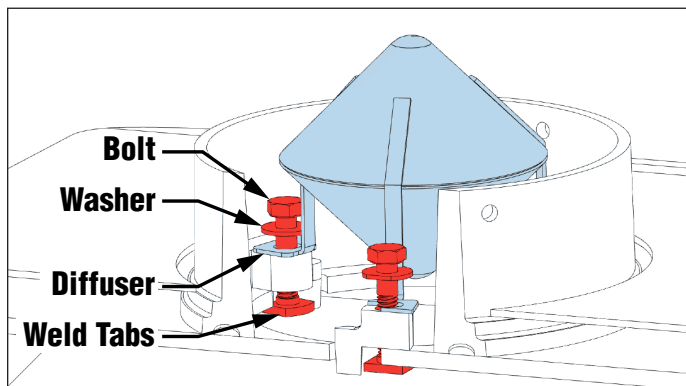
2. Place the flue collar onto the main weldment by aligning the pegs located on the bottom of the flue collar to the holes located at the top of the main weldment.



3. Place one washer onto each bolt and insert it into the corresponding bolt hole located in the flue collar. Once the washers and bolts are in position start threading one weld tab onto each of the bolts. NOTE: Leave the weld tabs loose DO NOT tighten the weld tabs onto the bolts.



- Slide the slotted legs of the diffuser onto each bolt. Ensure the washers are above the slotted legs of the diffuser as shown. Use a socket and ratchet to tighten the flue collar assembly to the unit.

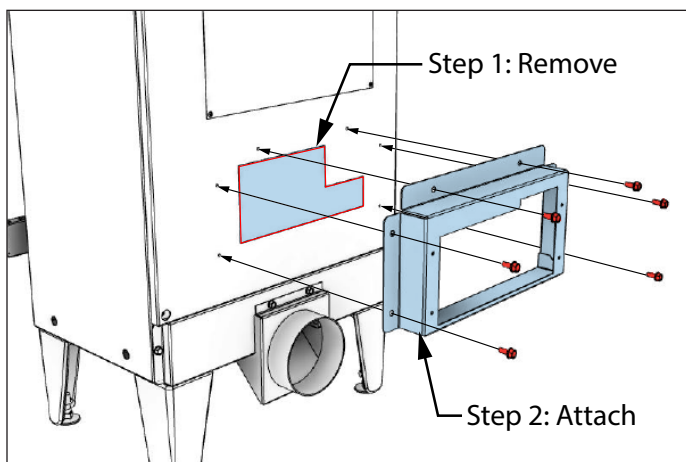


Above is an illustration of the installation of the flue collar and diffuser. The installation of this diffuser is critical for the proper functionality of the stove as well as achieving the cleanest burning fires possible. Failure to install this diffuser can result in a possible over fire situation. **FAILURE TO INSTALL THE DIFFUSER CAN RESULT IN FIRE, PROPERTY DAMAGE AND/OR DEATH.**

BLOWER MOUNTING BRACKET (INCLUDED)

A blower mounting bracket is required for this unit when installing the CB36 blower Kit.

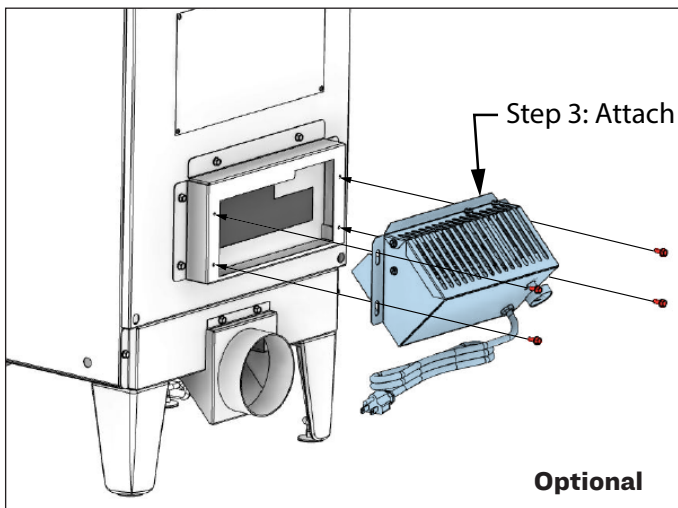
- Remove blank from back panel of the heater.
- Use the provided six (6) sheet metal screws (g) to attach the blower mounting bracket to the rear of the stove.



BLOWER ASSEMBLY

When installing the CB36 blower assembly, refer to the instructions included with the kit.

- Attach the CB36 blower assembly to the blower bracket.



SAFETY NOTICE

- **DO NOT INSTALL IN AN ALCOVE**
- **THIS ROOM HEATER SHALL NOT BE INSTALLED IN A FACTORY-BUILT FIREPLACE.**
- **IF THIS STOVE IS NOT PROPERLY INSTALLED, A HOUSE FIRE MAY RESULT. TO REDUCE THE RISK OF FIRE, FOLLOW THE INSTALLATION INSTRUCTIONS.**
- **CONSULT YOUR MUNICIPAL BUILDING DEPARTMENT OR FIRE OFFICIALS ABOUT PERMITS, RESTRICTIONS AND INSTALLATIONS REQUIREMENTS IN YOUR AREA.**
- **USE SMOKE DETECTORS IN THE ROOM WHERE YOUR STOVE IS INSTALLED.**
- **KEEP FURNITURE AND DRAPES WELL AWAY FROM THE STOVE.**
- **NEVER USE GASOLINE, GASOLINE-TYPE LANTERN FUEL, KEROSENE, CHARCOAL LIGHTER FLUID, OR SIMILAR LIQUIDS TO START OR “FRESHEN UP” A FIRE IN THIS HEATER. KEEP ALL SUCH LIQUIDS WELL AWAY FROM THE HEATER WHILE IT IS IN USE.**
- **IN THE EVENT OF A CHIMNEY FIRE, PUSH THE AIR CONTROL FULL CLOSED TO DEPRIVE THE FIRE OF OXYGEN. CALL THE FIRE DEPARTMENT.**
- **DO NOT CONNECT TO ANY AIR DISTRIBUTION DUCT OR SYSTEM.**
- **A SOURCE OF FRESH AIR INTO THE ROOM OR SPACE HEATED SHALL BE PROVIDED WHEN REQUIRED.**
- **THIS ROOM HEATER SHALL NOT BE INSTALLED IN A FACTORY BUILT FIREPLACE.**



We recommend that our woodburning hearth products be installed and serviced by professionals who are certified in the U.S. by the National Fireplace Institute® (NFI) as NFI Woodburning Specialists or who are certified in Canada by Wood Energy Technical Training (WETT).



Your heater should be installed by a qualified NFI (US) or WETT (Canada) technician. To find the nearest qualified installer, go to:

<https://nficertified.org>,

<https://www.wettinc.ca/>

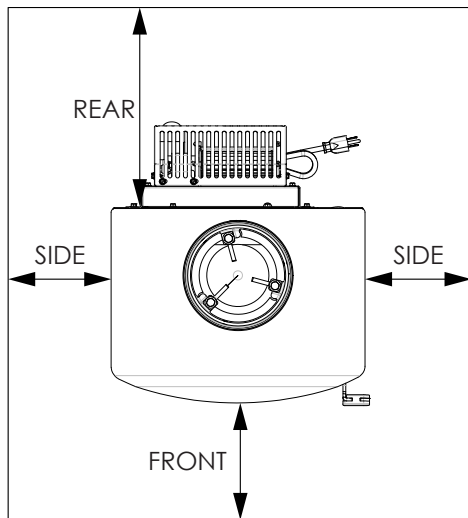
POSITIONING THE STOVE

It is very important to position the wood stove as close as possible to the chimney, and in an area that will favor the most efficient heat distribution possible throughout the house. The stove must therefore be installed in the room where the most time is spent, and in the most spacious room possible. Recall that wood stoves produce radiating heat, the heat we feel when we are close to a wood stove. A wood stove also functions by convection, that is through the displacement of hot air accelerated upwards and its replacement with cooler air. If necessary, the hot air distribution from the stove may be facilitated by the installation of a blower. The wood stove must not be hooked up to a hot air distribution system since an excessive accumulation of heat may occur. A wood stove must never be installed in a hallway or near a staircase, since it may block the way in case of fire or fail to respect required clearances.

FOR CUSTOMER SERVICE CALL: 800-750-2723 EXT 5050

FLOOR PROTECTOR

This heater must have a non-combustible floor protector, UL 1618 listed or equal, with an R-Value of at least 2.8 installed beneath it if the floor is constructed of combustible material. The floor protector should be large enough to extend under the stove and beyond each side as indicated below. If there is a horizontal run of chimney connector pipe, there needs to be floor protection under it that extends two inches beyond either side of the pipe.

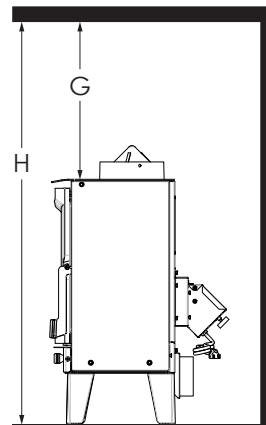
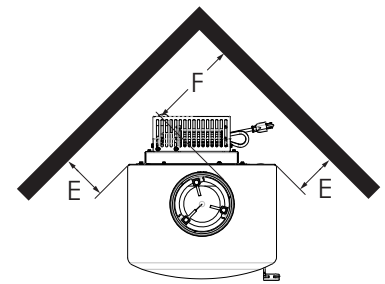
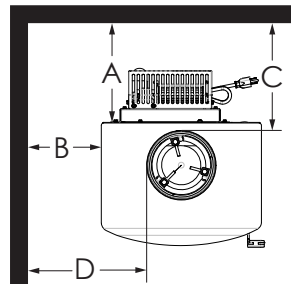


Front	18" (457 mm)
Sides	8" (204 mm)
Rear	2" (51 mm)

CLEARANCES TO COMBUSTIBLES

It is of utmost importance that the clearances to combustible materials be strictly adhered to during installation of the stove.

- Do not place any combustible material within 18" (458 mm) of the front of the unit.
- The clearance between the flue pipe and a wall are valid only for vertical walls and for vertical flue pipe.
- The chimney connector must not pass through an attic or roof space, closet or similar concealed space, a floor, or a ceiling.
- For Canadian installations, where passage through a wall, or partition of combustible construction is desired, the installation must conform to CAN/CSA-B365.
- To reduce flue clearances from combustible materials, contact your local safety department.
- Floor to ceiling height must be at least 7' (2.13m).



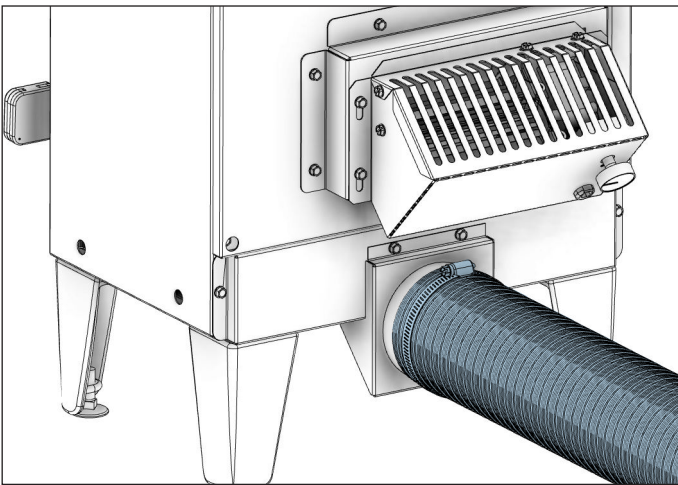
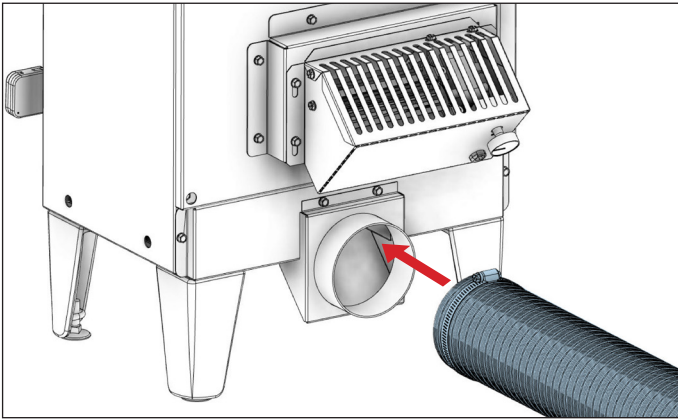
Key	in	mm
A	13	331
B	13	331
C	14.5	369
D	18	458
E	10	254
F	15.5	394
G	60	1524
H	84	2134

OUTSIDE COMBUSTION AIR

Your wood stove is approved to be installed with an outside air intake (4FAK) which is necessary for a mobile home/transportable building. This type of installation is also required in air tight houses and houses with negative pressure problems. You can purchase this option through your heater dealer. Make sure to specify the part number mentioned in this booklet. Installation instructions are supplied with the air intake kit. Outside combustion air may be required if:

1. Your stove does not draw steadily, smoke roll-out occurs, wood burns poorly, or back-drafts occur whether or not there is combustion present.
2. Existing fuel-fired equipment in the house, such as fireplaces or other heating appliances, smell, do not operate properly, suffer smoke roll-out when opened, or back-drafts occur whether or not there is combustion present.
3. Opening a window slightly on a calm (windless) day alleviates any of the above symptoms.
4. The house is equipped with a well-sealed vapor barrier and tight fitting windows and/or has any powered devices that exhaust house air.
5. There is excessive condensation on windows in the winter.

6. A ventilation system is installed in the house.



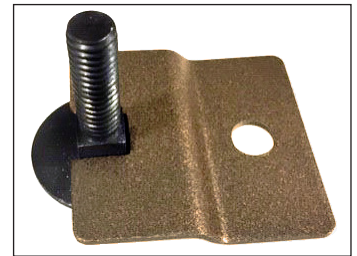
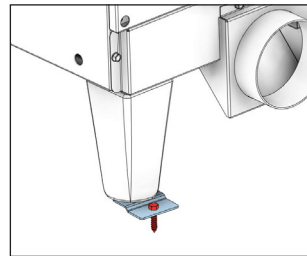
Slide the hose clamp over the aluminium flex pipe. Then slide the flex pipe over the air intake tube of the stove. Next tighten the hose clamp over the end of the aluminium flex hose.

FOR USE IN MOBILE HOME/TRANSPORTABLE BUILDINGS

- **WARNING! DO NOT INSTALL IN SLEEPING ROOM.**
- **CAUTION! THE STRUCTURAL INTEGRITY OF THE MOBILE HOME/TRANSPORTABLE BUILDING FLOOR, WALL, AND CEILING/ROOF MUST BE MAINTAINED.**
- **INSTALL IN ACCORDANCE WITH 24 CFR, PART 3280 (HUD).**
- **USE A FACTORY BUILT CHIMNEY THAT COMPLIES WITH UL 103 STANDARDS; THEREFORE IT MUST BE A TYPE HT (2100°F).**
- **USE A SPARK ARRESTER.**
- **THE STOVE MUST BE ATTACHED TO THE STRUCTURE OF THE MOBILE HOME/TRANSPORTABLE BUILDING.**

SECURING APPLIANCE'S WITH LEGS TO THE FLOOR

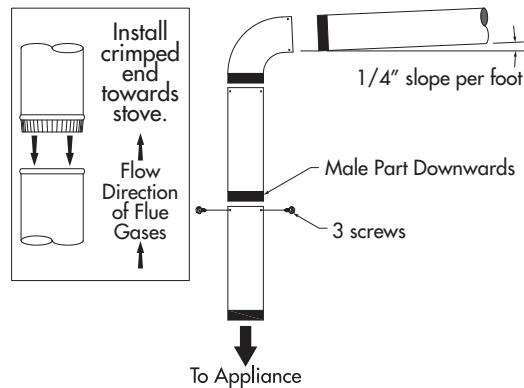
1. The bracket engages around the square extrusion of the leveling bolt inserted into the leg.
2. Once appliance is leveled, position the bracket and attach to the floor using the two (2) provided 1/4 x 1-1/2 lag screws (h) to secure the unit to the floor. NOTE: The two (2) provided 1/4 x 1-1/2 lag screws (h) may not be suitable for installation in your mobile home / transportable building. Refer to local codes to determine what requirements are required for your unit.
3. Install one bracket per leg or consult your local authority having jurisdiction to determine how many points of attachment are required.



In addition to the previously detailed installation requirements, mobile home/transportable building installations must meet the following requirements:

- The space heater is to be connected to a factory-built chimney conforming to UL 103, Standard for 650°C Factory-Built Chimneys.
- The heater must be permanently attached to the floor. There are two holes in the pedestal base, use 3/8" bolts through the floor.
- The heater must be electrically grounded to the steel chassis of the mobile home/transportable building with 8 GA copper wire using a serrated or star washer to penetrate paint or protective coating to ensure grounding.
- When moving your mobile home/transportable building, all exterior venting must be removed while the mobile home/transportable building is being relocated. After relocation, all venting must be reinstalled and securely fastened.
- Outside Air is mandatory for mobile home/transportable building installation. See your dealer for purchasing.
- Check with your local building officials as other codes may apply.
- Only use the specified components listed in this manual for this unit. The use of components that are not meant for this unit can cause unsafe conditions.

CHIMNEY CONNECTOR (STOVE PIPE)



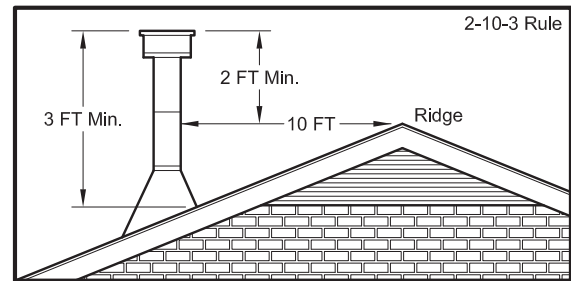
The chimney connector and chimney must have the same diameter as the stove outlet (6"). If this is not the case, we recommend you contact your dealer to ensure there will be no problem with the draft. The stovepipe must be made of aluminized or cold roll steel and have a minimum thickness of 0.021" or 0.53 mm. It is strictly forbidden to use galvanized steel. The smoke pipe should be assembled to promote the male section (crimped end) of the pipe to be faced down. Attach each section to another with three metal screws spaced an equal distance apart. The pipe must be short and straight. All sections installed horizontally must slope at least 1/4 inch per foot, with the upper end of the section toward the chimney. Any installation with a horizontal run of chimney pipe must conform to NFPA 211. To ensure a good draft, the total length of the coupling pipe should never exceed 8' to 10' (2.4m to 3.04m). Except for cases of vertical installation, in a cathedral-roof style where the smoke exhaust system can be much longer and connected without problem to the chimney at the ceiling of the room. There should never be more than two 90 degrees elbows in the smoke exhaust system. The installation of a "barometric draft stabilizer" (fireplace register) on a smoke exhaust system is prohibited. Furthermore, the installation of a draft damper is not recommended. With a controlled combustion wood stove, the draft is regulated upon intake of the combustion air in the stove and not at the exhaust.

IMPORTANCE OF PROPER DRAFT

Draft is a force that moves air from the appliance up through the chimney. The amount of draft in your chimney depends on the length of the chimney, local geography, nearby obstructions and other factors. Too much draft may cause excessive temperatures in the appliance. An inadequate draft may cause back-puffing into the room and "plugging" of the chimney. An inadequate draft will cause the appliance to leak smoke into the room through appliance and chimney connector joints. An

uncontrollable burn or excessive temperature indicates an excessive draft.

CHIMNEY

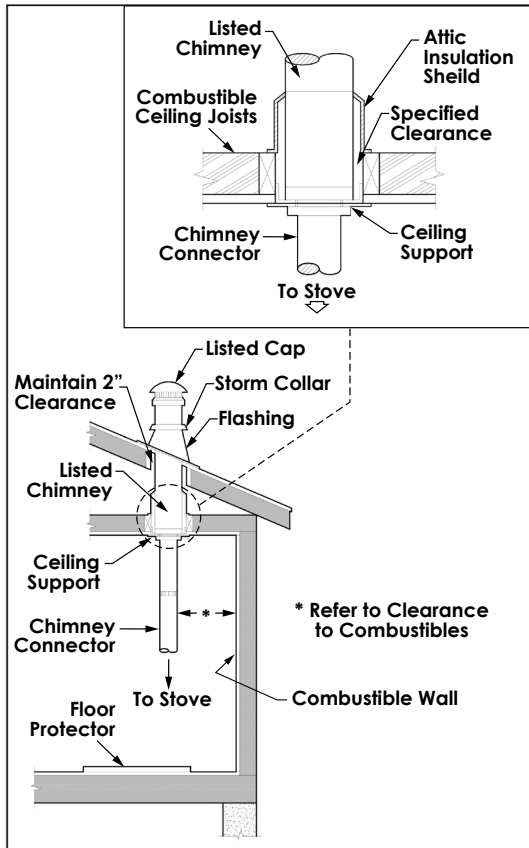


Your wood stove may be hooked up with a 6" factory-built or masonry chimney. If you are using a factory-built chimney, it must comply with UL 103 or CAN/ULC-S629 standard; therefore it must be a Type HT (2100°F). It must be installed according to the manufacturer's specifications. Take into account the chimney's location to ensure it is not too close to neighbors or in a valley which may cause unhealthy or nuisance conditions. If you are using a masonry chimney, it must be built in compliance with the specifications of the National Building Code. It must be lined with firebricks, metal or clay tiles sealed together with fire cement. Round flues are the most efficient. The interior diameter of the chimney flue must be identical to the stove smoke exhaust. A flue which is too small may cause draft problems, while a large flue favors rapid cooling of the gas, and hence the build-up of creosote and the risk of chimney fires. Note that it is the chimney and not the stove which creates the draft effect; your stove's performance is directly dependent on an adequate draft from your chimney. **Do not connect this unit to a chimney flue serving another appliance.** The following recommendations may be useful for the installation of your chimney:

1. It must rise above the roof at least 3' (0.9m) from the uppermost point of contact.
2. The chimney must exceed any part of the building or other obstruction within a 10' (3.04m) distance by a height of 2' (0.6m).
3. The installation of an interior chimney is always preferable to an exterior chimney. Indeed, the interior chimney will, by definition, be hotter than an exterior chimney, being heated up by the ambient air in the house. Therefore the gas which circulates will cool more slowly, thus reducing the build-up of creosote and the risk of chimney fires.
4. The draft caused by the tendency for hot air to rise will be increased with an interior chimney.

- Using a fire screen at the extremity of the chimney requires regular inspection to ensure that it is not obstructed thus blocking the draft, and it should be cleaned when used regularly.

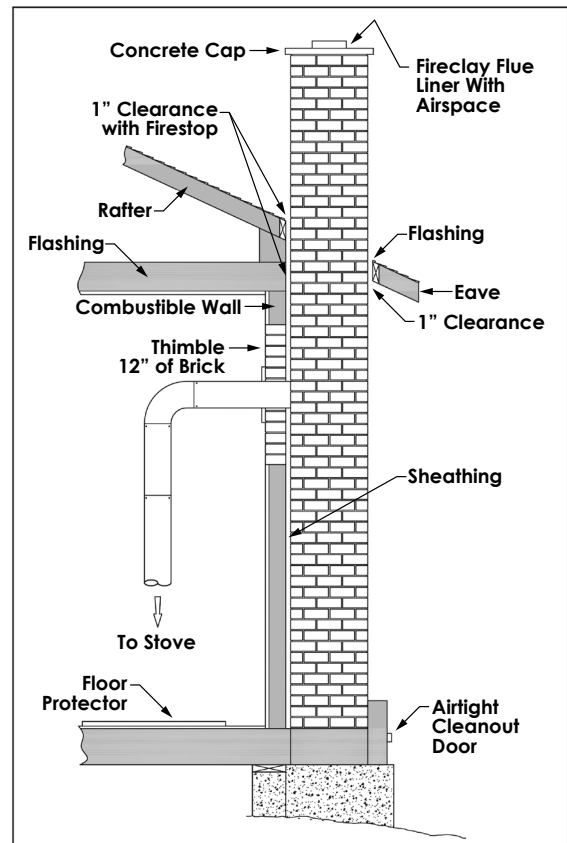
FACTORY BUILT CHIMNEY



When a metal prefabricated chimney is used, the manufacturer’s installation instructions must be followed. You must also purchase (from the same manufacturer) and install the ceiling support package or wall pass-through and “T” section package, firestops (where needed), insulation shield, roof flashing, chimney cap, etc. Maintain proper clearance to the structure as recommended by the manufacturer. The chimney must be the required height above the roof or other obstructions for safety and proper draft operation.

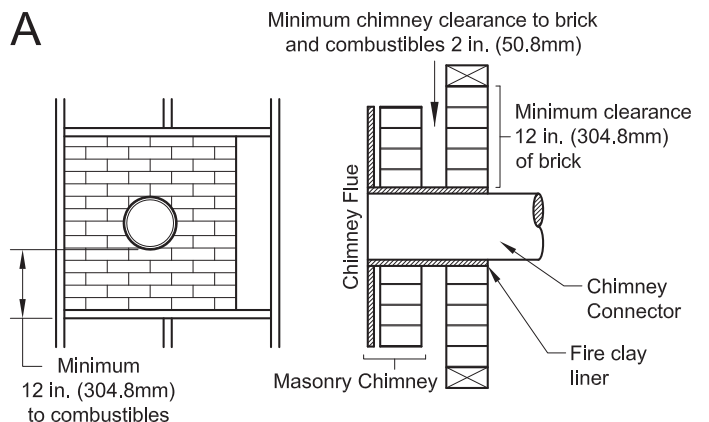
MASONRY CHIMNEY

Ensure that a masonry chimney meets the minimum standards of the National Fire Protection Association (NFPA) by having it inspected by a professional. Make sure there are no cracks, loose mortar or other signs of deterioration and blockage. Be sure to the chimney cleaned before the stove is installed and operated. When connecting the stove through a combustibles wall to a masonry chimney, special methods are needed.

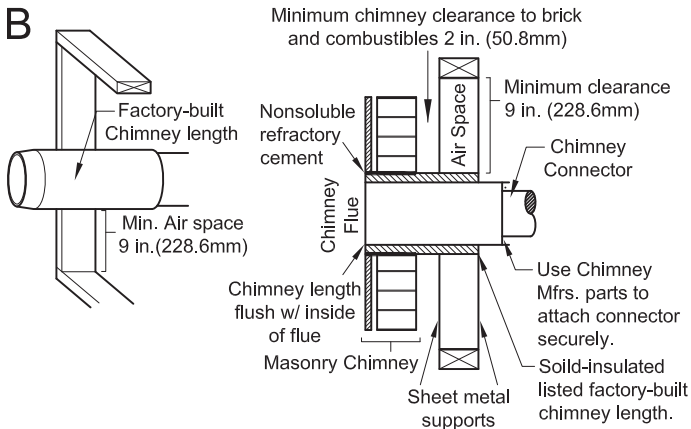


COMBUSTIBLE WALL CHIMNEY CONNECTOR PASS-THROUGHS

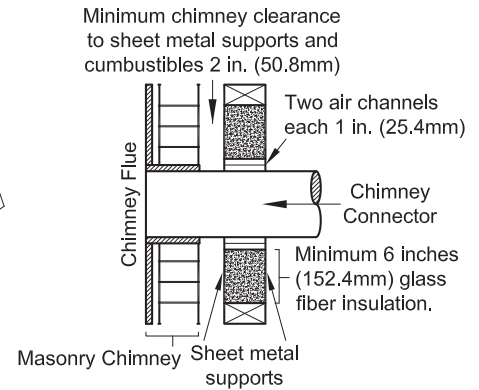
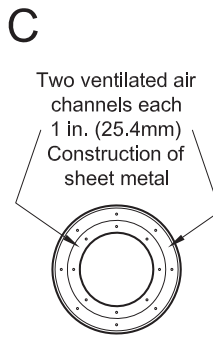
METHOD A - 12” (304.8 mm) Clearance to Combustible Wall Member: Using a minimum thickness 3.5” (89 mm) brick and a 5/8” (15.9 mm) minimum wall thickness clay liner, construct a wall pass-through. The clay liner must conform to ASTM C315 (Standard Specification for Clay Fire Linings) or its equivalent. Keep a minimum of 12” (304.8 mm) of brick masonry between the clay liner and wall combustibles. The clay liner shall run from the brick masonry outer surface to the inner surface of the chimney flue liner but not past the inner surface. Firmly grout or cement the clay liner in place to the chimney flue liner.



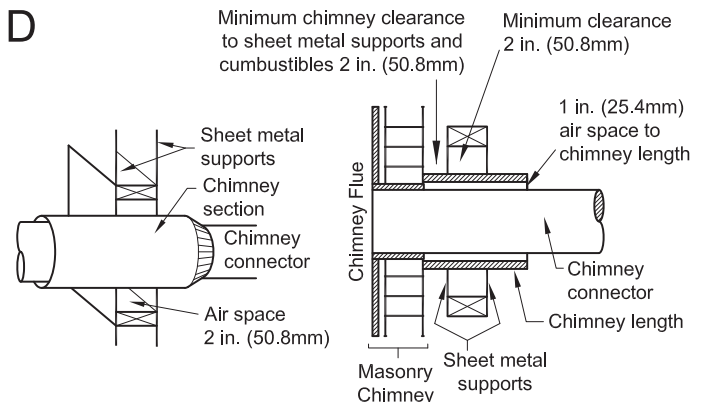
METHOD B - 9" (228.6 mm) Clearance to Combustible Wall Member: Using a 6" (152.4 mm) inside diameter, listed, factory-built Solid-Pak chimney section with insulation of 1" (25.4 mm) or more, build a wall pass-through with a minimum 9" (228.6 mm) air space between the outer wall of the chimney length and wall combustibles. Use sheet metal supports fastened securely to wall surfaces on all sides, to maintain the 9" (228.6 mm) air space. When fastening supports to chimney length, do not penetrate the chimney liner (the inside wall of the Solid-Pak chimney). The inner end of the Solid-Pak chimney section shall be flush with the inside of the masonry chimney flue, and sealed with a non-water soluble refractory cement. Use this cement to also seal to the brick masonry penetration.



METHOD C - 6" (152.4 mm) Clearance to Combustible Wall Member: Starting with a minimum 24 gage (.024" [.61 mm]) 6" (152.4 mm) metal chimney connector, and a minimum 24 gage ventilated wall thimble which has two air channels of 1" (25.4 mm) each, construct a wall pass-through. There shall be a minimum 6" (152.4 mm) separation area containing fiberglass insulation, from the outer surface of the wall thimble to wall combustibles. Support the wall thimble, and cover its opening with a 24-gage minimum sheet metal support. Maintain the 6" (152.4 mm) space. There should also be a support sized to fit and hold the metal chimney connector. See that the supports are fastened securely to wall surfaces on all sides. Make sure fasteners used to secure the metal chimney connector do not penetrate chimney flue liner.



METHOD D - 2" (50.8 mm) Clearance to Combustible Wall Member: Start with a solid-pak listed factory built chimney section at least 12" (304 mm) long, with insulation of 1" (25.4 mm) or more, and an inside diameter of 8" (2 inches [51 mm] larger than the 6" [152.4 mm] chimney connector). Use this as a pass-through for a minimum 24-gauge single wall steel chimney connector. Keep solid-pak section concentric with and spaced 1" (25.4 mm) off the chimney connector by way of sheet metal support plates at both ends of chimney section. Cover opening with and support chimney section on both sides with 24 gage minimum sheet metal supports. See that the supports are fastened securely to wall surfaces on all sides. Make sure fasteners used to secure chimney flue line do not penetrate the inner liner.



NOTES:

- Connectors to a masonry chimney, excepting method B, shall extend in one continuous section through the wall pass-through system and the chimney wall, to but not past the inner flue liner face.
- A chimney connector shall not pass through an attic or roof space, closet or similar concealed space, or a floor, or ceiling.

NEVER OPERATE THIS PRODUCT WHILE UNATTENDED

CAUTIONS: HOUSE FIRE HAZARDS

- **DO NOT STORE WOOD ON FLOOR PROTECTOR, UNDERNEATH STOVEPIPE(S) OR ANYWHERE WITHIN CLEARANCES TO COMBUSTIBLE SURFACES SPECIFIED FOR THIS APPLIANCE.**
- **NEVER OPERATE WITH SECONDARY TUBES, FIBERBOARD, OR INSULATION REMOVED.**

OPERATING SAFETY PRECAUTIONS

- **NEVER OVERFIRE THIS APPLIANCE BY BUILDING EXCESSIVELY HOT FIRES AS A HOUSE/BUILDING FIRE MAY RESULT. YOU ARE OVERFIRING THE APPLIANCE IF IT BEGINS TO GLOW OR TURN RED.**
- **NEVER BUILD EXCESSIVELY LARGE FIRES IN THIS TYPE OF APPLIANCE AS DAMAGE TO THE FIREBOX OR SMOKE LEAKAGE MAY RESULT.**
- **DO NOT BUILD FIRE TOO CLOSE TO THE GLASS.**
- **HOT WHILE IN OPERATION. KEEP CHILDREN, CLOTHING, AND FURNITURE AWAY. CONTACT MAY CAUSE SKIN BURNS. DO NOT TOUCH THE APPLIANCE UNTIL IT HAS COOLED.**
- **PROVIDE ADEQUATE AIR FOR COMBUSTION TO THE ROOM WHERE THE APPLIANCE IS INSTALLED.**
- **INSPECT CHIMNEY LINER EVERY 60 DAYS. REPLACE LINER IMMEDIATELY IF IT IS RUSTING OR LEAKING SMOKE INTO THE ROOM.**
- **ATTEMPTS TO ACHIEVE HEAT OUTPUT RATES THAT EXCEED HEATER DESIGN SPECIFICATIONS CAN RESULT IN PERMANENT DAMAGE TO THE HEATER.**

WARNING: EXPLOSION HAZARD

- **NEVER USE CHEMICALS, GASOLINE, GASOLINE-TYPE LANTERN FUEL, KEROSENE, CHARCOAL LIGHTER FLUID, OR SIMILAR FLAMMABLE LIQUIDS TO START OR "FRESHEN UP" A FIRE IN THE APPLIANCE.**
- **KEEP ALL FLAMMABLE LIQUIDS, ESPECIALLY GASOLINE, OUT OF THE VICINITY OF THE APPLIANCE - WHETHER IN USE OR IN STORAGE.**

WOOD STOVE UTILIZATION

Your heating appliance was designed to burn well seasoned natural wood only; no other materials should be burned. Any type of well seasoned natural wood may be used in your stove, but specific varieties have better energy yields than others. Higher efficiencies and lower emissions generally result when burning air dried seasoned hardwoods, as compared to softwoods or too green or freshly cut hardwoods. The following resources can assist in learning the burn characteristics of various species of wood:

<http://firewoodresource.com/firewood-btu-ratings/>; or <https://forestry.usu.edu/forest-products/wood-heating>

The operation of this wood heater in a manner inconsistent with the owner's manual will void your warranty and is also against federal regulations. Waste and other flammable materials should not be burned in your stove. DO NOT BURN:

1. Garbage;
2. Lawn clippings or yard waste;
3. Materials containing rubber, including tires;
4. Materials containing plastic;
5. Waste petroleum products, paints or paint thinners, or asphalt products;
6. Materials containing asbestos;
7. Construction or demolition debris;
8. Railroad ties or pressure-treated wood;
9. Manure or animal remains;
10. Saltwater driftwood or other previously salt water-saturated materials;
11. Unseasoned wood; or
12. Paper products, cardboard, plywood, or particleboard.
The prohibition against burning these materials does not prohibit the use of fire starters made from paper, cardboard, sawdust, wax, and similar substances to start a fire in an affected wood heater.

Burning these materials may result in the release of toxic fumes or render the heater ineffective and cause smoke. Deadwood lying on the forest floor should be considered wet and requires full seasoning time. Standing deadwood can usually be considered to be about 2/3 seasoned. Smaller pieces of wood will dry faster. All logs exceeding 6" in diameter should be split. The wood should not be stored directly on the ground. Air should circulate through

the logs. A 24" to 48" air space should be left between each row of logs, which should be placed in the sunniest location possible. The upper layer of wood should be protected from the element but not the sides. A good indicator of if the wood is ready to burn is to check the piece ends. If cracks are radiating in all directions from the center then the wood should be dry enough to burn. If your wood sizzles in the fire, even though the surface is dry, it may not be fully cured and should be seasoned longer. It is **EXTREMELY IMPORTANT** that you use **DRY WOOD** only in your wood stove. The wood should have dried for 9 to 15 months, such that the humidity content (in weight) is reduced below 20% of the weight of the log. It is very important to keep in mind that even if the wood has been cut for one, two, or even more years, it is not necessarily dry, if it has been stored in poor conditions. Under extreme conditions, it may rot instead of drying. This point cannot be overstressed; the vast majority of the problems related to the operation of a wood stove is caused by the fact that the wood used was too damp or had dried in poor conditions. These problems can be:

- ignition problems
- creosote build-up causing chimney fires
- low energy yield
- blackened windows
- incomplete log combustion

Do not burn manufactured logs made of wax impregnated sawdust or logs with any chemical additives.

TESTING YOUR WOOD

- When the stove is thoroughly warmed, place one piece of split wood (about five inches in diameter) parallel to the door on the bed of red embers.
- Keep the air control fully open and close the door. If the wood ignites within 90 seconds from the time it was placed in the stove, your wood is correctly dried. If ignition takes longer, your wood is damp.
- If your wood hisses and water or vapor escapes at the ends of the piece, your wood is soaked or freshly cut (green). Do not use this wood in your stove. Large amounts of creosote could be deposited in your chimney, creating potential conditions for a chimney fire.

TAMPER WARNING

This wood heater has a manufacturer-set minimum low burn rate that must not be altered. It is against federal regulations to alter this setting or otherwise operate this

wood heater in a manner inconsistent with operating instructions in this manual.

EFFICIENCIES

Efficiencies can be based on either the lower heating value (LHV) or the higher heating value (HHV) of the fuel. The lower heating value is when water leaves the combustion process as a vapor, in the case of woodstoves the moisture in the wood being burned leaves the stove as a vapor. The higher heating value is when water leaves the combustion process completely condensed. In the case of woodstoves this would assume the exhaust gases are room temperature when leaving the system, and therefore calculations using this heating value consider the heat going up the chimney as lost energy. Therefore, efficiency calculated using the lower heating value of wood will be higher than efficiency calculated using the higher heating value. The best way to achieve optimum efficiencies is to learn the burn characteristic of you appliance and burn well-seasoned wood. Higher burn rates are not always the best heating burn rates; after a good fire is established a lower burn rate may be a better option for efficient heating. A lower burn rate slows the flow of usable heat out of the home through the chimney, and it also consumes less wood.

NOTICE - INITIAL BURNS TO CURE PAINT

BECAUSE OF THE HIGH OPERATING TEMPERATURES, THIS APPLIANCE IS COATED WITH A SPECIAL HIGH TEMP PAINT WHICH REQUIRES A SERIES OF LOW TO MEDIUM BURNS TO FULLY CURE FOR DURABILITY AND A LIFETIME OF SERVICE.

Proper curing of the high-temp paint requires a series of three initial burns. The appliance should be allowed to cool off between each burn. The first two burns should be small fires and low temperatures (250°F) for a duration of 20 minutes each. The third fire should be at a temperature of approximately 500°F for 20 minutes. Provide adequate cross ventilation to clear any smoke or odor caused by initial firings.

Notice: Use solid wood fuel only! Do not burn garbage, or flammable fluids. Do not use coal. This appliance is not designed to accommodate the air flow (draft) required to properly burn coal or coal products. Do not elevate the fire using grates or irons. Build the fire directly on the firebrick.

FUELING INSTRUCTIONS

This wood stove has been certified by the US EPA to meet strict 2020 guidelines. To ensure this unit produces the optimal minimum emissions it is critical

that only well-seasoned cordwood is burned (see the “Fuel Recommendations” section of this manual). Burning unseasoned wet wood only hurts your stoves efficiency and leads to accelerated creosote buildup in your chimney. Be considerate of the environment and only burn dry wood.

CAUTION:
DO NOT LEAVE APPLIANCE UNATTENDED THE WITH DOOR OPEN.

WARNINGS:

- **NEVER OVERFIRE YOUR STOVE. IF ANY PART OF THE STOVE STARTS TO GLOW RED, OVER FIRING IS HAPPENING. READJUST THE AIR INTAKE CONTROL AT A LOWER SETTING.**
- **THE INSTALLATION OF A LOG CRADLE OR GRATES IS NOT RECOMMENDED IN YOUR WOOD STOVE. BUILD FIRE DIRECTLY ON FIREBRICK.**
- **NEVER PUT WOOD ABOVE THE FIREBRICK LINING OF THE FIREBOX.**
- **ATTEMPTS TO ACHIEVE HEAT OUTPUT RATES THAT EXCEED HEATER DESIGN SPECIFICATIONS CAN RESULT IN PERMANENT DAMAGE TO THE HEATER.**

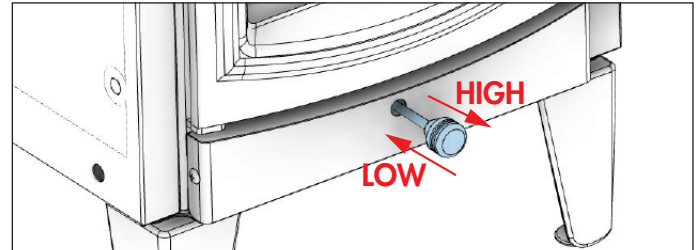
IGNITION

After making sure that the stove air intake controls are fully open (completely pull-out towards you), The top down method of fire building is recommended for this appliance. After making sure that the stove air intake controls are fully open (completely pull-out towards you), Place the largest pieces of wood on the bottom, laid in parallel and close together. Smaller pieces are placed in a second layer, crossways to the first.

A third layer of still smaller pieces is laid crossways to the second, this time with some spaces between. Then a fourth layer of loose, small kindling and twisted newspaper sheets tops off the pile.

Before igniting the paper and kindling wood, it is recommended that you warm up the chimney. This is done in order to avoid back draft problems often due to negative pressure in the house. If such is the case, open a window slightly near the stove and twist together a few sheets of newspaper into a torch. Light up this paper torch and hold it as close as possible to the mouth of the pipe inside the combustion chamber to warm up the chimney. Once the updraft movement is initiated, you are ready to ignite the stove by lighting the paper and kindling wood inside the combustion chamber. When you have achieved

a good bed of hot embers, we recommend the following burn procedures:



Primary Air Settings (Slide Damper is located in center of stove under hearth plate) (Damper Adjustment: Pulling out on damper increases air)

Burn Rate	Adjust Damper From Fully Closed
Low	Closed
Medium	1/8" (3.18mm)
Medium - High	1/2" (12.7mm)
High	Pull Rod Out Fully

VISIBLE SMOKE

The amount of visible smoke being produced can be an effective method of determining how efficiently the combustion process is taking place in the given settings. Visible smoke consists of unburned fuel and moisture leaving your stove. Learn to adjust the air settings of your specific unit to produce the smallest amount of visible smoke. Wood that has not been seasoned properly and has a high wood moisture content will produce excess visible smoke and burn poorly.

AIR TUBES

The air tubes assembled in this unit are designed to provide an accurate mix of secondary air to ensure the highest efficiency. Any damage or deterioration of these tubes may reduce the efficiency of combustion.

BLOWER OPERATION

The variable-speed blower circulates air warmed by the firebox into the living area to distribute the heat more evenly. The blower control knob is located on the side of the blower housing. Turn the knob clockwise to turn the blower on. The speed is controlled by turning the knob clockwise for slower speeds and counter-clockwise for faster speeds. To turn the blower off, turn the speed control knob fully counter-clockwise. It is recommended to turn the blower off when the unit is not in operation. The blower should be removed at the beginning of every “burn” season and air-blown clean, removing any dust or build-up.

NEVER OPERATE THIS PRODUCT WHILE UNATTENDED

CAUTION:

DO NOT OVERFIRE APPLIANCE. YOU ARE OVERFIRING IF ANY PART OF THE APPLIANCE GLOWS RED. CLOSE THE DOOR AND SHUT DAMPER IMMEDIATELY TO REDUCE THE AIR SUPPLY AND SLOW DOWN THE FIRE.

CAUTION:

SLOW BURNING FIRES FOR EXTENDED USE OR BURNING GREEN WOOD MAY CAUSE EXCESSIVE CREOSOTE BUILD-UP. IGNITION OF CREOSOTE OR OVERFIRING COULD CAUSE A CHIMNEY FIRE. CHIMNEY FIRES BURN EXTREMELY HOT AND MAY IGNITE SURROUNDING COMBUSTIBLE MATERIALS. IN CASE OF A CHIMNEY FIRE, CALL THE FIRE DEPARTMENT IMMEDIATELY!

- Always check for creosote deposit once every two months and have your chimney cleaned at least once a year.
- If a chimney or creosote fire occurs, close all dampers immediately. Wait for the fire to go out and the heater to cool, then inspect the chimney for damage. If no damage results, perform a chimney cleaning to ensure no more creosote deposits is remaining in the chimney.

CAUTION:

A CHIMNEY FIRE MAY CAUSE IGNITION OF WALL STUDS OR RAFTERS WHICH WERE ASSUMED TO BE A SAFE DISTANCE AWAY FROM THE CHIMNEY. IF A CHIMNEY FIRE OCCURS, HAVE YOUR CHIMNEY INSPECTED BY A QUALIFIED EXPERT BEFORE USING AGAIN.

CREOSOTE FORMATION AND NEED FOR REMOVAL

When wood is burned slowly, it produces tar and other organic vapors, which combine with expelled moisture to form creosote. The creosote vapors condense in the relatively cool chimney flue of a slow-burning fire. As a result, creosote residue accumulates on the flue lining. When ignited this creosote makes an extremely high temper fire. The chimney connector and chimney should be inspected at least once every two months during the heating season to determine if a creosote build-up has occurred. If creosote has accumulated (3 mm or more), it should be removed to reduce the risk of a chimney fire.

We strongly recommend that you install a magnetic thermometer on your smoke exhaust pipe, approximately 18" above the stove. This thermometer will indicate the temperature of your gas exhaust fumes within the smoke exhaust system. The ideal temperature for these gases is somewhere between 275°F and 500°F. Below these temperatures, the build-up of creosote is promoted. Above 500°F, heat is wasted since a too large quantity is lost into the atmosphere.

TO PREVENT CREOSOTE BUILD UP

- Always burn dry wood. This allows clean burns and higher chimney temperatures, therefore less creosote deposit.
- Leave the air control fully open for about 5 min. every time you reload the stove to bring it back to proper operating temperatures. The secondary combustion can only take place if the firebox is hot enough.

ASH REMOVAL & DISPOSAL

Whenever ashes get 3 to 4 inches deep in your firebox, and when the fire has burned down and cooled, remove excess ashes. Leave an ash bed approximately 1 inch deep on the firebox bottom to help maintain a hot charcoal bed. Ashes should be placed in a metal container with a tight-fitting lid. The closed container of ashes should be placed on a non-combustible floor or the ground, away from all combustible materials, pending final disposal. The ashes should be retained in the closed container until all cinders have thoroughly cooled.

CAUTIONS:

- **ASHES COULD CONTAIN HOT EMBERS EVEN AFTER TWO DAYS WITHOUT OPERATING THE STOVE.**
- **THE ASH PAN CAN BECOME VERY HOT. WEAR GLOVES TO PREVENT INJURY.**
- **NEVER BURN THE STOVE WITH THE ASH TRAP OPEN. THIS WOULD RESULT IN OVER FIRING THE STOVE. DAMAGE TO THE STOVE AND EVEN HOUSE FIRE MAY RESULT.**

SMOKE & CO MONITORS

Burning wood naturally produces smoke and carbon monoxide(CO) emissions. CO is a poisonous gas when exposed to elevated concentrations for extended periods. While the modern combustion systems in heaters drastically reduce the amount of CO emitted

out the chimney, exposure to the gases in closed or confined areas can be dangerous. Make sure your stove gaskets and chimney joints are in good working order and sealing properly to ensure unintended exposure. It is recommended that you use both smoke and CO monitors in areas having the potential to generate CO.

GLASS CARE

- Inspect and clean the glass regularly to detect any cracks. If you spot one, turn the stove off immediately. Do not abuse the glass door by striking or slamming shut. Do not use the stove if the glass is broken.
- If the glass on your stove breaks, replace only with the glass supplied from your heater dealer. Never substitute other materials for the glass.
- To replace the glass, remove the screws retaining the glass moldings inside the door. Remove the moldings and replace the damaged piece with a new one. Perform the procedure backward after replacing it. When replacing the glass, you should change the glass gasket to make sure you keep it sealed.
- Never wash the glass with a product that may scratch. Use a specialized product, available in the stores where wood stoves are sold. The glass should be washed only when cold.

GASKET CARE

WARNING:

NEVER OPERATE THE STOVE WITHOUT THE GASKET OR WITH A DAMAGED OR BROKEN GASKET. OPERATING WITHOUT A GASKET OR DAMAGED GASKET WILL RESULT IN DAMAGE TO YOUR STOVE AND CAN RESULT IN A HOUSE FIRE.

This unit's door uses a 5/8" diameter rope gasket. It is recommended that you change the door gasket (which makes your stove door air tight) once a year, in order to ensure good control over the combustion, maximum efficiency and security. To change the door gasket, simply remove the damaged one. Carefully clean the available gasket groove, apply a high temperature silicone sold for this purpose, and install the new gasket. You may light up your stove again approximately 24 hours after having completed this operation.

ATTENTION:

THIS WOOD HEATER NEEDS PERIODIC INSPECTION AND REPAIR FOR PROPER OPERATION. IT IS AGAINST FEDERAL REGULATIONS TO OPERATE THIS WOOD HEATER IN A MANNER INCONSISTENT WITH OPERATING INSTRUCTIONS IN THIS MANUAL.



HOW TO ORDER REPAIR PARTS

For Parts Assistance, Call 800-750-2723 ext 5051 or Email: parts@usstove.com , or order at www.myreplacementparts.com

The information in this owner’s manual is specific to your unit. When ordering replacement parts the information in this manual will help to ensure the correct items are ordered. Before contacting customer service write down the model number and the serial number of this unit. That information can be found on the certification label attached to the back of the unit. Other information that may be needed would be the part number and part description of the item(s) in question. Part numbers and descriptions can be found in the “Repair Parts” section of this manual. Once this information has been gathered you can contact customer service by phone 1-800-750-2723 Ext 5051 or Email parts@usstove.com.

Model Information	
Model Number	
Serial Number	

INSTRUCTIONS SPECIFIC FOR CANADIAN INSTALLATIONS

Do not obstruct the space under the heater and do not obstruct the combustion air openings.

Refer to the chimney manufacturer’s instructions for disassembling the chimney for transportation of a transportable building.

This heater meets the requirements of CAN/ULC-S627 and is suitable for installation on a combustible floor and does not require radiant floor protection.

The parts or materials to be employed for ember protectors and the minimum areas to be covered and their relation to the space heater, as well as the notice: “In Canada, to comply with CSA B365, Installation Code for Solid-Fuel-Burning Appliances and Equipment, any combustible covering beneath the appliance and/or within the area extending horizontally at least 450 mm (18 in) beyond the appliance on any side equipped with a door, and at least 200 mm (8 in) beyond the appliance on other sides, shall be protected by a continuous, durable,

non-combustible pad that will provide ember protection. The 450 mm (18 in) ember protection required on any side with a door shall extend for the full width of the appliance plus the 200 mm (8 in) required on each side of the appliance without a door. Where an appliance is installed less than 200 mm (8 in) from a wall, the ember pad need only extend to the base of the wall. An ember pad shall not be placed on top of a carpet unless the pad is structurally supported to prevent displacement and distortion.

Note: Do not install the chimney directly at the outlet of the appliance. A chimney connector (flue pipe) is required.

If this appliance is installed in a transportable building, removal of the chimney is required for transportation of the building.

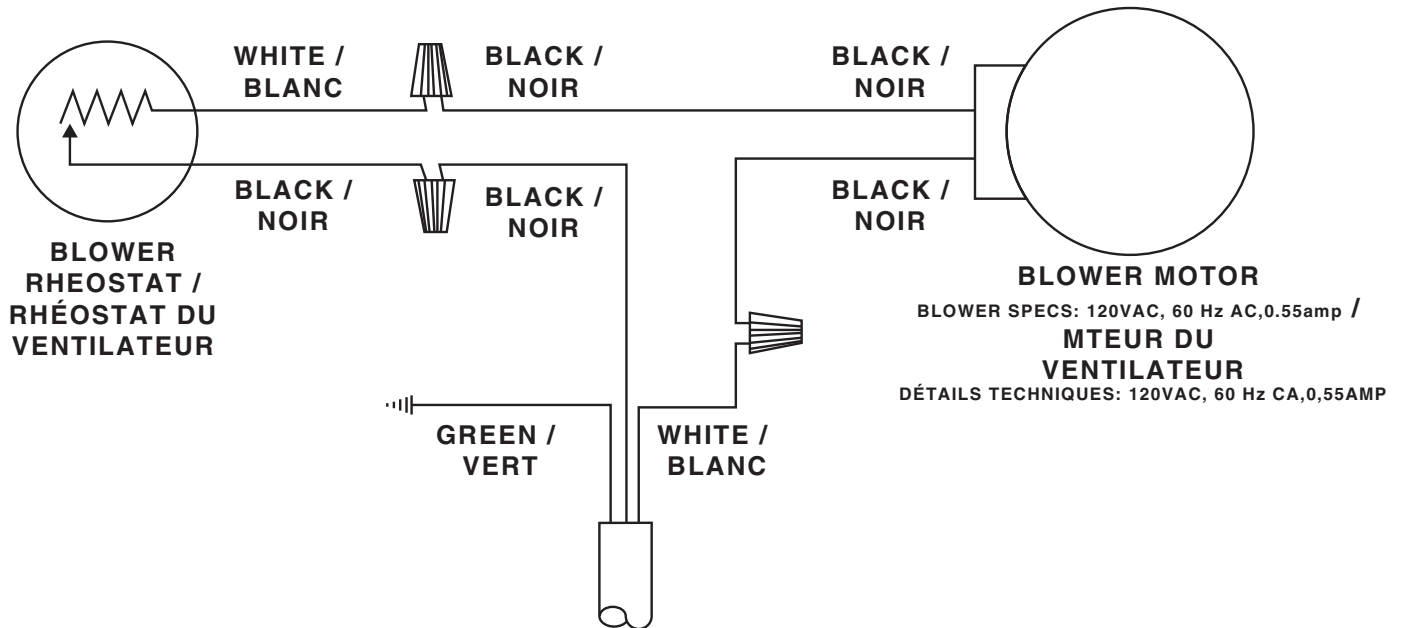
DO NOT INSTALL IN AN ALCOVE

DO NOT INSTALL IN ANY FIREPLACE

OPTIONAL CB36 BLOWER WIRING DIAGRAM

DANGER: SHOCK HAZARD DISCONNECT POWER SOURCE BEFORE INSTALLATION AND WHENEVER SERVICING BLOWER ASSEMBLY.

CAUTION: MOVING PARTS CAN CAUSE INJURY. DO NOT OPERATE WITH COVER REMOVED.



NOTICE: ANY REPLACEMENT WIRING MUST HAVE EQUIVALENT INSULATION AND TEMPERATURE RATING (105° C).

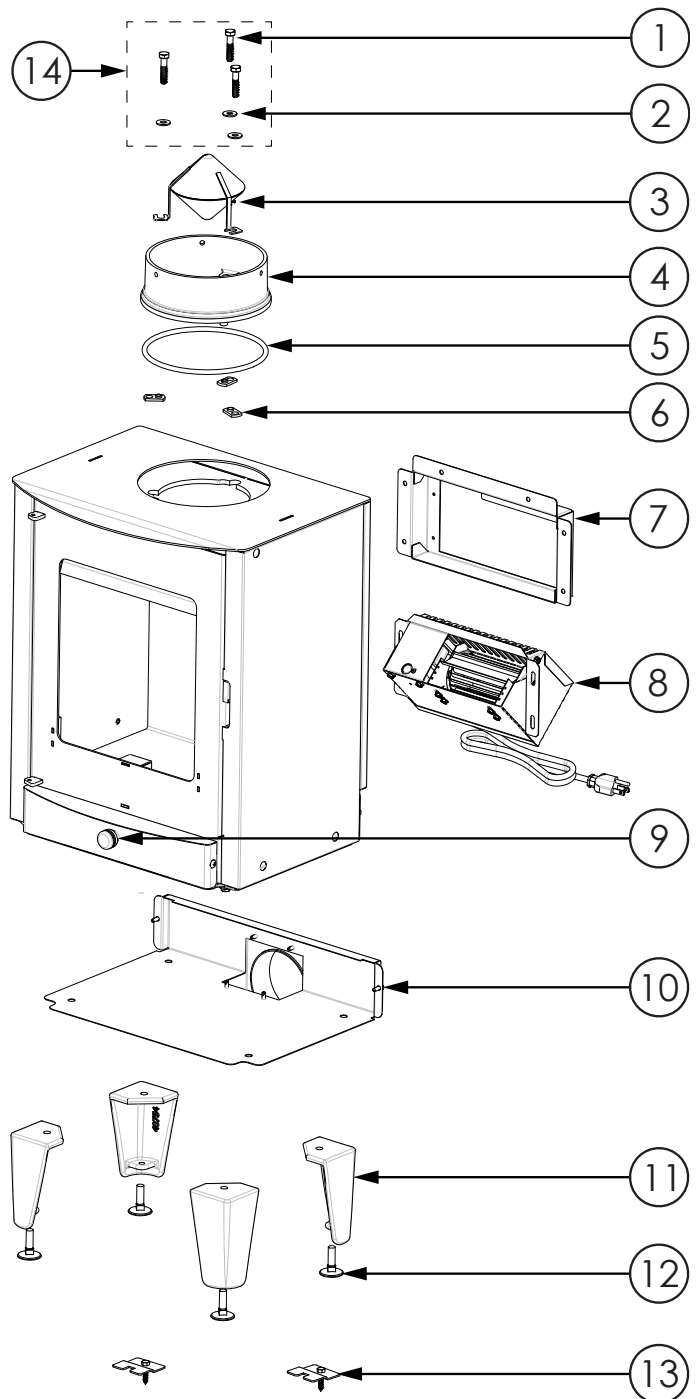
NOTICE: DO NOT ALLOW THE POWER CORD TO TOUCH HOT SURFACES! KEEP THE POWER CORD AT LEAST 12"/30.5CM FROM THE STOVE OR PIPE SURFACES.

Key	Part #	Description	Qty
1	83432	5/16-18 X 1-1/2 HX HD C/S PL	3
2	83045	Washer, 5/16"ID X 3/4" OD X 1/16 THK	3
3	893719	Diffuser	1
4	40292A	6" Flue Collar	1
5	88042	1/4" Rope Gasket	1
6	83431	Weld Tab	3
7	50BK	Blower Kit	1
8	CB36	Blower Assembly	1
9	893162	Knob, Wooden	1
10	50FAK	Fresh Air Kit	1
11	40754	Leg, 8KW	4
12	83525	Elevator Bolt	4
13	29104	Leg Fastener	2
14	69782	Hardware Pack	1

To order parts:

Call 1-800-750-2723 Ext 5051 or

Email to: parts@usstove.com

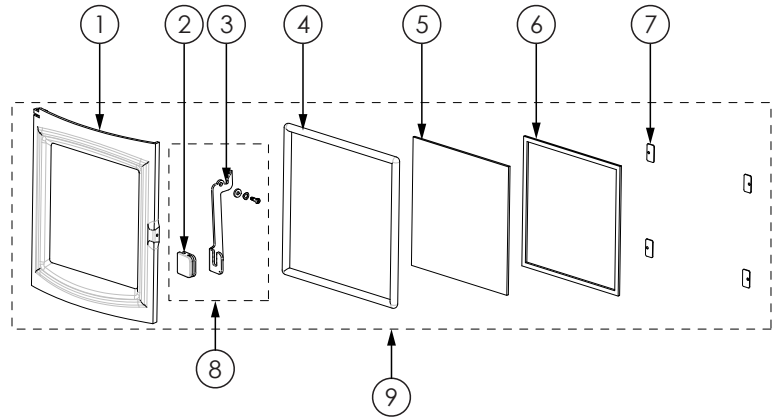


IN ORDER TO MAINTAIN WARRANTY, COMPONENTS MUST BE REPLACED USING ORIGINAL MANUFACTURERS PARTS PURCHASED THROUGH YOUR DEALER OR DIRECTLY FROM THE APPLIANCE MANUFACTURER. USE OF THIRD PARTY COMPONENTS WILL VOID THE WARRANTY.

REPAIR PARTS



Key	Part #	Description	Qty
1	40909	Door	1
2	893910	Wooden Scale Handle	1
3	893730	Handle	1
4	88126	5/8" Rope Gasket	1
5	893718	Main Glass	1
6	88174	Gasket - Flat, Glass (3/16T x 3/8W)	1
7	893731	Glass Clamp	4
8	893979	Door Handle Kit	1
9	893980	Complete Door Assy.	1

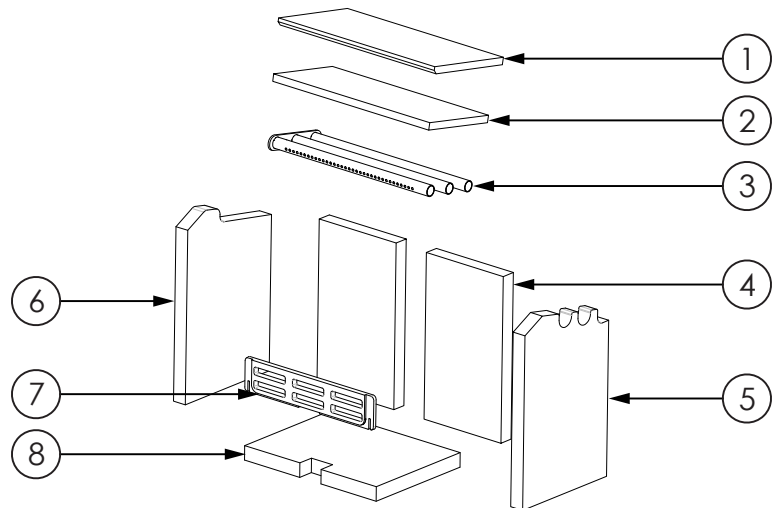


To order parts:

Call 1-800-750-2723 Ext 5051 or

Email to: parts@usstove.com

Key	Part #	Description	Qty
1	893716	Top Baffle	1
2	893711	Bottom Baffle	1
3	893717	Tube Assembly	1
4	893713	Back Liner	2
5	893715	Right Liner	1
6	893712	Left Liner	1
7	40911	Log Guard	1
8	893714	Bottom Liner	1



To order parts:

Call 1-800-750-2723 Ext 5051 or

Email to: parts@usstove.com

IN ORDER TO MAINTAIN WARRANTY, COMPONENTS MUST BE REPLACED USING ORIGINAL MANUFACTURERS PARTS PURCHASED THROUGH YOUR DEALER OR DIRECTLY FROM THE APPLIANCE MANUFACTURER. USE OF THIRD PARTY COMPONENTS WILL VOID THE WARRANTY.



SERVICE RECORD

It is recommended that your heating system is serviced regularly and that the appropriate Service Interval Record is completed.

SERVICE PROVIDER

Before completing the appropriate Service Record below, please ensure you have carried out the service as described in the manufacturer's instructions. Always use the manufacturer's specified spare part when replacement is necessary.

Service 01 Date: _____

Engineer Name: _____

License No.: _____

Company: _____

Telephone No.: _____

Stove Inspected: Chimney Swept:

Items Replaced: _____

Service 02 Date: _____

Engineer Name: _____

License No.: _____

Company: _____

Telephone No.: _____

Stove Inspected: Chimney Swept:

Items Replaced: _____

Service 03 Date: _____

Engineer Name: _____

License No.: _____

Company: _____

Telephone No.: _____

Stove Inspected: Chimney Swept:

Items Replaced: _____

Service 04 Date: _____

Engineer Name: _____

License No.: _____

Company: _____

Telephone No.: _____

Stove Inspected: Chimney Swept:

Items Replaced: _____

Service 05 Date: _____

Engineer Name: _____

License No.: _____

Company: _____

Telephone No.: _____

Stove Inspected: Chimney Swept:

Items Replaced: _____

Service 06 Date: _____

Engineer Name: _____

License No.: _____

Company: _____

Telephone No.: _____

Stove Inspected: Chimney Swept:

Items Replaced: _____

Service 07 Date: _____

Engineer Name: _____

License No.: _____

Company: _____

Telephone No.: _____

Stove Inspected: Chimney Swept:

Items Replaced: _____

Service 08 Date: _____

Engineer Name: _____

License No.: _____

Company: _____

Telephone No.: _____

Stove Inspected: Chimney Swept:

Items Replaced: _____

Il est recommandé d'effectuer l'entretien régulier de votre système de chauffage et de compléter le Registre des intervalles de service.

FOURNISSEUR DE SERVICE

Avant de compléter la fiche de service ci-dessous, assurez-vous d'avoir effectué le service tel que décrit dans les instructions du fabricant. Utilisez toujours la pièce de rechange spécifiée par le fabricant lorsque le remplacement est nécessaire.

Service 02 Date : _____

Nom de l'ingénieur : _____

No de licence : _____

Entreprise : _____

N° de téléphone : _____

Poêle inspecté : Cheminée nettoyée :

Articles remplacés : _____

Service 01 Date : _____

Nom de l'ingénieur : _____

No de licence : _____

Entreprise : _____

N° de téléphone : _____

Poêle inspecté : Cheminée nettoyée :

Articles remplacés : _____

Service 04 Date : _____

Nom de l'ingénieur : _____

No de licence : _____

Entreprise : _____

N° de téléphone : _____

Poêle inspecté : Cheminée nettoyée :

Articles remplacés : _____

Service 03 Date : _____

Nom de l'ingénieur : _____

No de licence : _____

Entreprise : _____

N° de téléphone : _____

Poêle inspecté : Cheminée nettoyée :

Articles remplacés : _____

Service 06 Date : _____

Nom de l'ingénieur : _____

No de licence : _____

Entreprise : _____

N° de téléphone : _____

Poêle inspecté : Cheminée nettoyée :

Articles remplacés : _____

Service 05 Date : _____

Nom de l'ingénieur : _____

No de licence : _____

Entreprise : _____

N° de téléphone : _____

Poêle inspecté : Cheminée nettoyée :

Articles remplacés : _____

Service 08 Date : _____

Nom de l'ingénieur : _____

No de licence : _____

Entreprise : _____

N° de téléphone : _____

Poêle inspecté : Cheminée nettoyée :

Articles remplacés : _____

Service 07 Date : _____

Nom de l'ingénieur : _____

No de licence : _____

Entreprise : _____

N° de téléphone : _____

Poêle inspecté : Cheminée nettoyée :

Articles remplacés : _____

PIÈCES DE RECHANGE

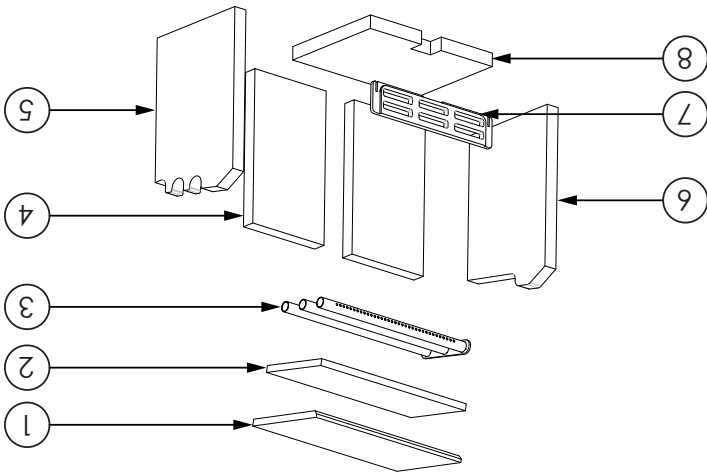
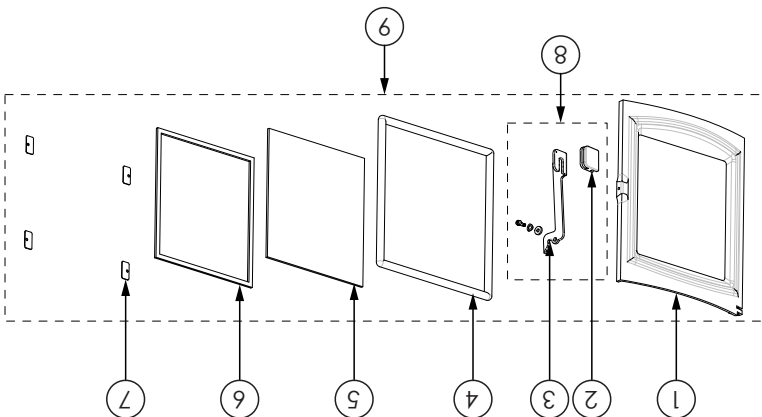


Clé	N° de pièce	Description
1	40909	Porte
2	893910	Poignée en bois pour écaillies
3	893730	Poignée
4	88126	Joint d'étanchéité de corde de 1,5 cm (5/8 po)
5	893718	Verre principal
6	88174	Joint - Plat, verre (3/16T x 3/8W)
7	893731	Pince à verre
8	893979	Kit de poignée de porte
9	893980	Ensemble de porte complet

Comment effectuer la commande de pièces de réparation
1-800-750-2723 poste 5051 ou:
envoyez un courriel à : parts@usstove.com

Clé	N° de pièce	Description
1	893716	Déflecteur supérieur
2	893711	Déflecteur inférieur
3	893717	Assemblage de tube
4	893713	Doublure arrière
5	893715	Doublure droite
6	893712	Doublure gauche
7	40911	Protection de bûche
8	893714	Revêtement de fond

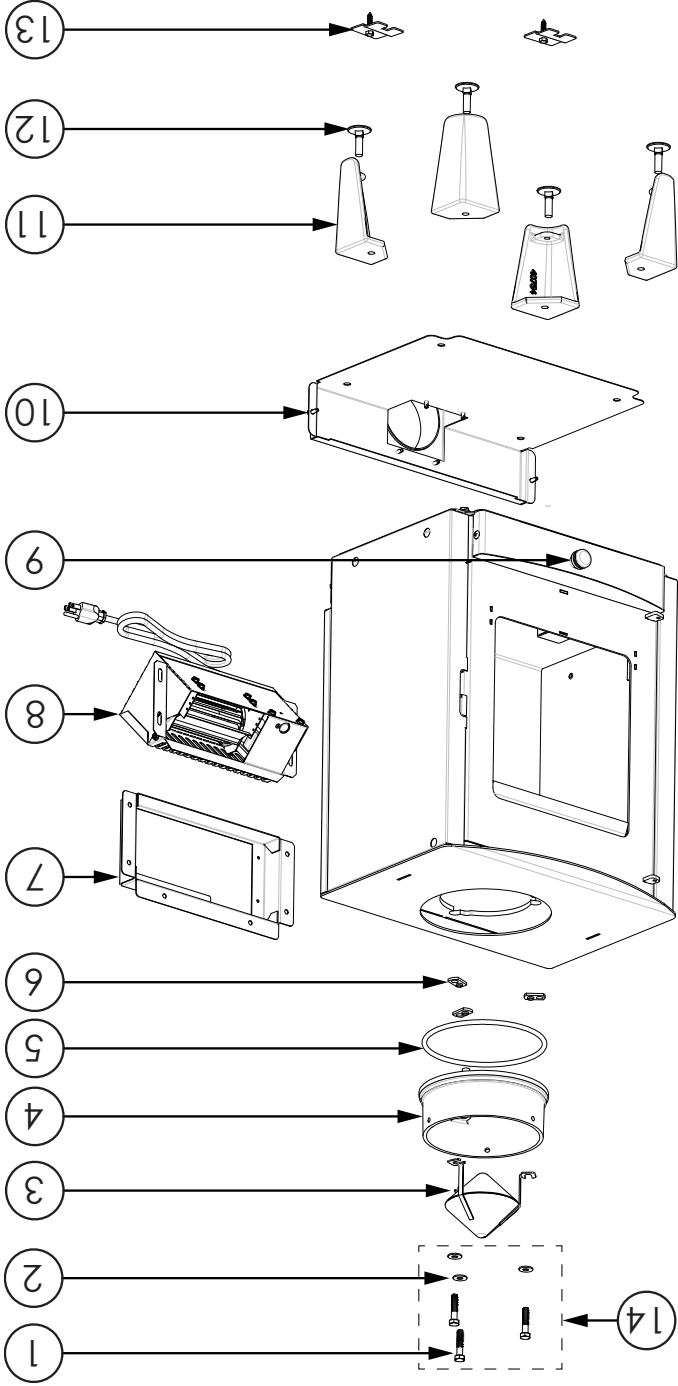
Comment effectuer la commande de pièces de réparation
1-800-750-2723 poste 5051 ou:
envoyez un courriel à : parts@usstove.com



AFIN DE CONSERVER LA GARANTIE, LES COMPOSANTS DOIVENT ÊTRE REMPLACÉS PAR DES PIÈCES D'ORIGINE DU FABRICANT ACHETÉES AUPRÈS DE VOTRE REVENDEUR OU DIRECTEMENT AUPRÈS DU FABRICANT DE L'APPAREIL. L'UTILISATION DE COMPOSANTES PROVENANT DE TIERS ANNULERA LA GARANTIE.

Clé	N° de pièce	Description	Qté
1	83432	5/16-18 X 1-1/2 HX HD C/S PL	3
2	83045	Rondelle, 5/16 po ID X 3/4 po OD X 1/16 po THK	3
3	893719	Diffuseur	1
4	40292A	Collet de conduit de fumée de 15 cm (6 po)	1
5	88042	Joint d'étanchéité de 6,35 mm (1/4 po)	1
6	83431	Langnette de soudure	3
7	50BK	Kit de ventilateur	1
8	CB36	Assemblage du ventilateur	1
9	893162	Bouton, en bois	1
10	50FAK	Trousse d'air frais	1
11	40754	Pied, 8KW	4
12	83525	Boulon d'ascenseur	4
13	29104	Fixation de jambe	2
14	69782	Pack matériel	1

Comment effectuer la commande de pièces de réparation
 1 800 750-2723 poste 5051 ou:
 envoyez un courriel à : parts@usstove.com



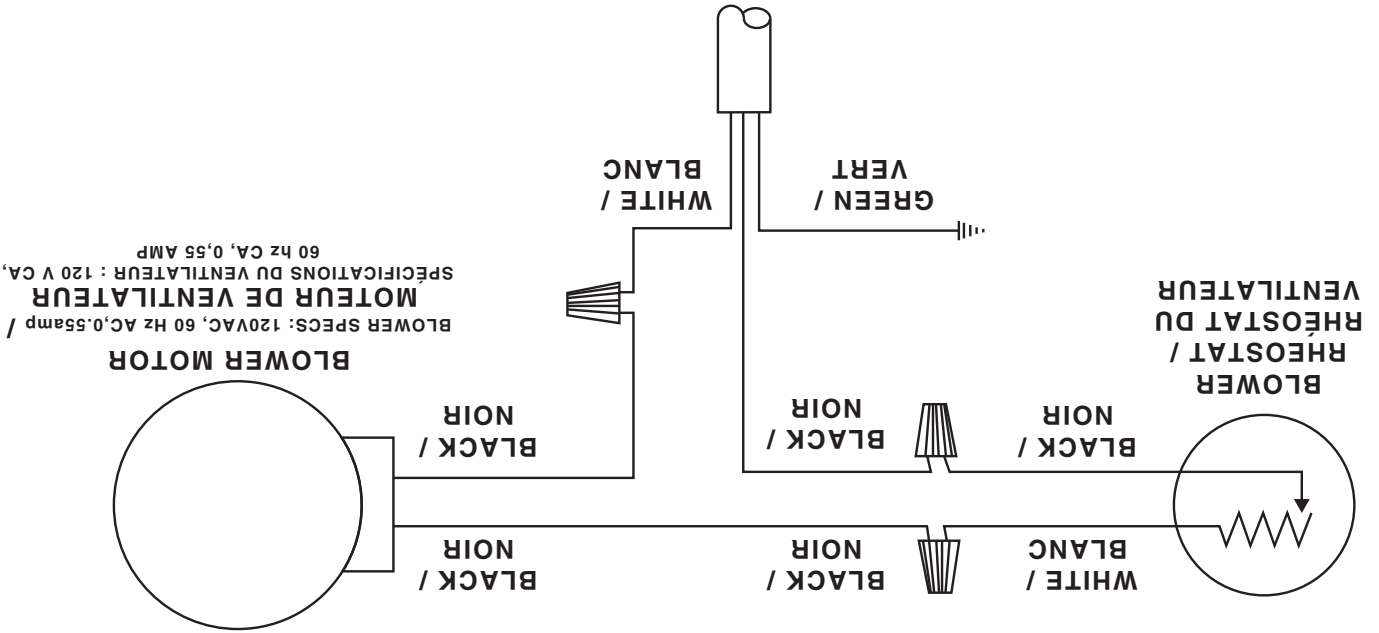
AFIN DE CONSERVER LA GARANTIE, LES COMPOSANTS DOIVENT ÊTRE REMPLACÉS PAR DES PIÈCES D'ORIGINE DU FABRICANT ACHETÉES AUPRÈS DE VOTRE REVENDEUR OU DIRECTEMENT AUPRÈS DU FABRICANT DE L'APPAREIL. L'UTILISATION DE COMPOSANTES PROVENANT DE TIERS ANNULERA LA GARANTIE.

SCHEMA DE CÂBLAGE DU VENTILATEUR CB36



DANGER : RISQUE D'ÉLECTROCUTION - DÉBRANCHEZ LA SOURCE D'ALIMENTATION AVANT L'INSTALLATION ET LORS DE L'ENTRETIEN DE LA SOUFFLERIE.

ATTENTION : LES PIÈCES MOBILES PEUVENT PROVOQUER DES BLESSURES. NE PAS FAIRE FONCTIONNER AVEC LE COUVERCLE RETIRÉ.



AVIS : TOUT CÂBLAGE DE REMPLACEMENT DOIT AVOIR UNE ISOLATION ÉQUIVALENTE ET UNE TEMPÉRATURE NOMINALE (105° C).

AVIS : NE LAISSEZ PAS LE CORDON D'ALIMENTATION TOUCHER LES SURFACES CHAUDES! GARDEZ LE CORDON D'ALIMENTATION À AU MOINS 30,5 CM (12 PO) DES SURFACES DU POÊLE OU DU TUYAU.

NE PAS INSTALLER DANS UNE ALCÔVE
NE PAS INSTALLER DANS AUCUN Foyer

Si cet appareil est installé dans un bâtiment transportable, l'enlèvement de la cheminée est requis pour le transport du bâtiment.

Remarque : Ne pas installer la cheminée directement à la sortie de l'appareil. Un connecteur de cheminée (conduit de fumée) est nécessaire.

Les pièces ou matériaux à utiliser pour les protecteurs de braises et les surfaçages minimales à couvrir et leur relation avec le radiateur d'appoint, ainsi que l'avis : « Au Canada, pour se conformer à la norme CSA B365, Code d'installation des appareils à combustible solide et équipé, tout revêtement combustible sous l'appareil et/ou dans la zone s'étendant horizontalement à au moins 450 mm (18 po) au-delà de l'appareil de tout côté équipé d'une porte, et à au moins 200 mm (8 po) au-delà de l'appareil de l'autre côté, doivent être protégés par un tampon continu, durable et incombustible qui fournira une protection contre les braises. La protection contre les braises de 450 mm (18 po) requise de tous les côtés avec un porte doit s'étendre sur toute la largeur de l'appareil plus les 200 mm (8 po) requis de chaque côté de l'appareil sans porte. Lorsqu'un appareil est installé à moins de 200 mm (8 po) d'un mur, le tampon de braises ne doit s'étendre que jusqu'à la base du mur. Un tampon de braises ne doit pas être placé sur un tapis à moins que le tampon ne soit structurellement soutenu pour empêcher le déplacement et la distorsion.

Reportez-vous aux instructions du fabricant de la cheminée pour le démontage de la cheminée pour le transport d'un bâtiment transportable.

Cet appareil de chauffage répond aux exigences de la norme CAN/ULC-S627 et convient à une installation sur un plancher combustible et ne nécessite pas de protection de plancher radiant. Les pièces ou matériaux à utiliser pour les protecteurs de braises et les surfaçages minimales à couvrir et leur relation avec le radiateur d'appoint, ainsi que l'avis : « Au Canada, pour se conformer à la norme CSA B365, Code d'installation des appareils à combustible solide et équipé, tout revêtement combustible sous l'appareil et/ou dans la zone s'étendant horizontalement à au moins 450 mm (18 po) au-delà de l'appareil de tout côté équipé d'une porte, et à au moins 200 mm (8 po) au-delà de l'appareil de l'autre côté, doivent être protégés par un tampon continu, durable et incombustible qui

INSTRUCTIONS SPÉCIFIQUES AUX INSTALLATIONS CANADIENNES

Informations sur le modèle	
Numéro de modèle	Numéro de série

Les informations contenues dans ce manuel du propriétaire sont spécifiques à votre appareil. Lors de la commande de pièces de rechange, les informations contenues dans ce manuel vous aideront à vous assurer que les bons articles sont commandés. Avant de contacter le service client, notez le numéro de modèle et le numéro de série de cet appareil. Cette information se trouve sur l'étiquette de certification apposée à l'arrière de l'appareil. D'autres informations qui pourraient être nécessaires sont le numéro de pièce et la description de l'article en question. Les références et les descriptions se trouvent dans la section «Pièces de réparation» de ce manuel. Une fois ces informations recueillies, vous pouvez contacter le service client par téléphone au 1-800-750-2723, poste 5051 ou par e-mail à parts@usstove.com.

Pour une assistance pièces, appelez le 800-750-2723 poste 5051 ou envoyez un e-mail : parts@usstove.com, ou commandez sur www.myreplacementparts.com

MONITEURS DE FUMÉE ET DE MONOXYDE

DE CARBONE (CO)

Le bois brûlé produit naturellement des émissions de fumée et de monoxyde de carbone (CO). Le CO est un gaz toxique lorsqu'il est exposé à des concentrations élevées pendant des périodes prolongées. Alors que les systèmes de combustion modernes dans les appareils de chauffage réduisent drastiquement la quantité de CO émise par la cheminée, l'exposition aux gaz dans des zones fermées ou confinées peut être dangereuse. Assurez-vous que les joints d'étanchéité de votre poêle et les joints de la cheminée soient en bon état et qu'ils scellent correctement, évitant les expositions indésirables. Il est recommandé d'utiliser des moniteurs de fumée et de CO dans les zones ayant le potentiel de générer du CO.

ENTRETIEN DE LA VITRE

- Inspectez et nettoyez régulièrement la vitre pour détecter toute fissure. Si vous en apercevez une, éteignez immédiatement le poêle. N'abusez pas de la porte vitrée en frappant ou en claquant. Ne pas utiliser le poêle si le verre est cassé.
- En cas de bris de la vitre de votre poêle, remplacez-la uniquement par la vitre fournie par votre revendeur. Ne remplacez jamais le verre par d'autres matériaux.
- Pour remplacer la vitre, retirez les vis retenant les moules de vitre à l'intérieur de la porte. Retirez les moules et remplacez la pièce endommagée par une nouvelle. Effectuez la procédure en arrière après l'avoir remplacée. Lors du remplacement du verre, vous devez changer le joint de verre pour vous assurer de le garder scellé.

ENTRETIEN DES JOINTS

- Ne lavez jamais la vitre avec un produit susceptible de rayer. Utilisez un produit spécialisé, disponible dans les magasins où les poêles à bois sont vendus. Le verre ne doit être lavé qu'à froid.

AVERTISSEMENT :
NE JAMAIS FAIRE FONCTIONNER LE POÊLE SANS LE JOINT OU AVEC UN JOINT ENDOMMAGÉ OU CASSÉ. LE FONCTIONNEMENT SANS JOINT D'ÉTANCHÉITÉ OU ENDOMMAGÉ ENDOMMAGERA VOTRE POÊLE ET PEUT CAUSER UN INCENDIE.

La porte de cette unité utilise un joint de câble de 5/8 po de diamètre. Il est recommandé de changer le joint d'étanchéité de la porte (ce qui rend votre porte de poêle étanche à l'air) une fois par an, afin d'assurer un bon contrôle de la combustion, une efficacité et une sécurité maximales. Pour changer le joint d'étanchéité de la porte, retirez simplement le joint endommagé. Nettoyez ensuite avec soin la rainure du joint, appliquez un silicone à haute température vendu à cette fin et installez le nouveau joint. Vous pouvez rallumer votre poêle environ 24 heures après avoir terminé cette opération.

ATTENTION :

CET APPAREIL DE CHAUFFAGE À GRANULES NÉCESSITE DES INSPECTIONS ET DES RÉPARATIONS PÉRIODIQUES POUR UN FONCTIONNEMENT ADÉQUAT. IL EST CONTRAIRE AUX RÉGLEMENTATIONS FÉDÉRALES D'UTILISER CE CHAUFFAGE AU BOIS DE MANIÈRE NON CONFORME AUX INSTRUCTIONS D'UTILISATION DE CE MANUEL.

NE JAMAIS FAIRE FONCTIONNER CE PRODUIT SANS SURVEILLANCE

- Laissez le contrôle de l'air complètement ouvert pendant environ 5 min, chaque fois que vous rechargez le poêle pour le ramener à des températures de fonctionnement correctes. La combustion secondaire ne peut avoir lieu que si la boîte à combustion est suffisamment chaude.
- Vérifiez toujours la présence de dépôts de créosote une fois tous les deux mois et faites nettoyer votre cheminée au moins une fois par an.
- Si un feu de cheminée ou de créosote survient, fermez immédiatement tous les registres. Attendez que le feu s'éteigne et que le chauffage refroidisse, puis inspectez la cheminée pour détecter tout dommage. Si aucun dommage n'est constaté, effectuez un nettoyage de la cheminée pour vous assurer qu'il ne reste plus de dépôts de créosote dans la cheminée.

ATTENTION :

UN FEU DE CHEMINÉE PEUT CAUSER L'ALLUMAGE DES GOUJONS DE MUR OU DES CHEVRONS CENSÉS SE TROUVER À UNE DISTANCE SÛRE DE LA CHEMINÉE. SI UN INCENDIE DE CHEMINÉE SE PRODUIT, FAITES INSPECTER VOTRE CHEMINÉE PAR UN EXPERT QUALIFIÉ AVANT DE L'UTILISER À NOUVEAU.

ENLÈVEMENT ET ÉLIMINATION DES CENDRES

Chaque fois que les cendres atteignent 7,6 cm à 10,2 cm (3 à 4 pouces) de profondeur dans votre boîte à combustion, et lorsque le feu a brûlé et refroidi, retirez l'excès de cendres. Laissez un lit de cendres d'environ 2,5 cm (1 po) de profondeur sur le fond de la boîte à combustion pour aider à maintenir un lit de charbon chaud. Les cendres doivent être placées dans un récipient en métal recouvert d'un couvercle bien ajusté. Le récipient de cendres fermé doit être placé sur un plancher incombustible ou sur le sol, loin des matériaux combustibles, en attendant sa mise au rebut finale. Les cendres doivent être conservées dans le récipient fermé jusqu'à ce que toutes les cendres aient complètement refroidi!

PRÉCAUTIONS :

- **LES CENDRES PEUVENT CONTENIR DES BRAISES CHAUDES MÊME APRÈS DEUX JOURS SANS UTILISATION DU POÊLE.**
- **LE BAC À CENDRES PEUT DEVENIR TRÈS CHAUD. ENFILEZ DES GANTS POUR ÉVITER LES BLESSURES.**
- **NE BRÛLEZ JAMAIS LE POÊLE LORSQUE LA TRAPPE À CENDRES EST OUVERTE. CELA ENTRAÎNERAIT UNE SURCHAUFFE DU POÊLE. LE POÊLE PEUT ÊTRE ENDOMMAGÉ ET MÊME UN INCENDIE PEUT SE PRODUIRE DANS LA MAISON.**

FORMATION DE CRÉOSOTE ET NETTOYAGE NÉCESSAIRE

Quand le bois brûle lentement, il crée du goudron et d'autres vapeurs organiques qui se combinent avec l'humidité expulsée et forment du créosote. Les vapeurs de créosote se condensent dans le conduit de fumée lorsqu'il est relativement froid, par exemple lorsque le feu vient d'être allumé ou que le feu brûle lentement. Par conséquent, les résidus de créosote s'accumulent sur le revêtement du conduit de fumée. Si le créosote prend feu, il crée un feu extrêmement tempéré. Le conduit de raccordement de cheminée et la cheminée doivent être inspectés au moins une fois tous les deux mois pendant la saison de chauffage pour déterminer si une accumulation de créosote s'est produite. Si un dépôt de créosote (3 mm ou plus), il doit être enlevé pour diminuer le risque de feu de cheminée.

POUR ÉVITER L'ACCUMULATION DE CRÉOSOTE

- Brûlez toujours du bois sec. Cela permet des brûlages propres et des températures de cheminée plus élevées, donc moins de dépôts de créosote.

Nous vous recommandons vivement d'installer un thermomètre magnétique sur votre tuyau d'évacuation des fumées, à environ 45 cm (18 pouces) au-dessus du poêle. Ce thermomètre indiquera la température de vos fumées d'évacuation, dans le système d'évacuation des fumées. La température idéale pour ces gaz est comprise entre 135°C et 260°C (275°F et 500°F). En dessous de ces températures, l'accumulation de créosote est favorisée. Au-dessus de 260°C (500°F), la chaleur est gaspillée car une trop grande quantité est perdue dans l'atmosphère.

ATTENTION :

LES FEUX À COMBUSTION LENTE POUR UNE UTILISATION PROLONGÉE OU LA COMBUSTION DE BOIS VERT PEUVENT PROVOQUER UNE ACCUMULATION EXCESSIVE DE CRÉOSOTE. L'ALLUMAGE DE CRÉOSOTE OU LA SURCHAUFFE PEUVENT PROVOQUER UN FEU DE CHEMINÉE. LES FEUX DE CHEMINÉE SONT EXTRÊMEMENT CHAUDS ET SUSCEPTIBLES D'ENFLAMMER LES MATÉRIAUX COMBUSTIBLES ENVIRONNANTS. EN CAS DE FEU DE CHEMINÉE, APPELEZ LES POMPIERS IMMÉDIATEMENT!

ATTENTION :

NE PAS SURCHAUFFER L'APPAREIL. SI UNE PARTIE DE L'APPAREIL EST ROUGE, C'EST QU'IL Y A SURCHAUFFE. FERMEZ LA PORTE ET FERMEZ IMMÉDIATEMENT LE REGISTRE POUR RÉDUIRE L'ALIMENTATION EN AIR ET RALENTIR LE FEU.

AVERTISSEMENTS :

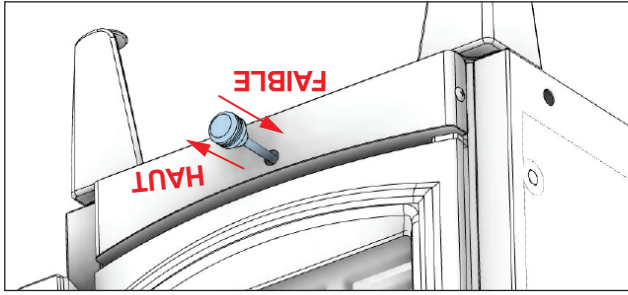
- NE JAMAIS SURCHAUFFER VOTRE POÊLE. SI DES PARTIES DE CE POÊLE COMMENÇAIENT À ROUGEOYER, IL S'AGIT D'UNE SURCHAUFFE. RÉAJUSTER LE CONTRÔLE DE PRISE D'AIR À UN RÉGLAGE INFÉRIEUR.
- L'INSTALLATION D'UN SUPPORT À BÛCHES OU D'UNE GRILLE N'EST PAS RECOMMANDÉE DANS VOTRE POÊLE À BOIS. ÉTABLIR LE FEU DE BOIS DIRECTEMENT SUR LA BRIQUE RÉFRACTAIRE.
- NE JAMAIS PLACER DE BOIS AU-DESSUS DE LA DOUBLURE EN BRIQUE DE FEU DE LA BOÎTE À FEU.
- LES TENTATIVES D'ATTEINDRE DES TAUX DE SORTIE DE CHALEUR QUI DÉPASSENT LES SPÉCIFICATIONS DE CONCEPTION DU RÉCHAUFFEUR PEUVENT ENTRAÎNER DES DOMMAGES PERMANENTS AU RÉCHAUFFEUR.

ALLUMAGE

Après s'être assuré que les commandes d'admission d'air du poêle sont complètement ouvertes (tirant complètement vers vous), la méthode du haut vers le bas du bâtiment coupe-feu est recommandée pour cet appareil. Après vous être assuré que les commandes d'admission d'air du poêle sont complètement ouvertes (tirant complètement vers vous), placez les plus gros morceaux de bois sur le fond, posés en parallèle et rapprochés. Les secondes pièces sont placées en une seconde couche, en travers aux premières.

Une troisième couche de plus petites pièces est déposée en travers de la seconde, cette fois avec un certain espace entre elles. Ensuite, une quatrième couche de feuilles de journaux lâches, petites et tordues s'éloigne de la pile.

Avant d'allumer le papier et le bois d'allumage, il est recommandé de réchauffer la cheminée. Cela est fait afin d'éviter les problèmes de contrebande souvent dus à une pression négative dans la maison. Si tel est le cas, ouvrez une fenêtre légèrement près du poêle et tournez ensemble quelques feuilles de journal dans une torche. Allumez cette torche en papier et tenez-la aussi près que possible de l'embouchure du tuyau à l'intérieur de la chambre de combustion pour réchauffer la cheminée. Une fois le mouvement du courant ascendant amorcé, vous êtes prêt à allumer le poêle en allumant le papier et en allumant le bois à l'intérieur de la chambre de combustion. Lorsque vous avez atteint un bon lit de braises chaudes, nous recommandons les procédures de brûlure suivantes :



FUMÉE VISIBLE

La quantité de fumée visible produite peut être une méthode efficace pour déterminer l'efficacité du processus de combustion dans les contextes donnés. La fumée visible est constituée de combustible imbrûlé et d'humidité sortant de votre poêle. Apprenez à régler les réglages d'air de votre unité spécifique pour produire la plus petite quantité de fumée visible. Le bois qui n'a pas été correctement séché et qui a une teneur élevée en humidité du bois produira un excès de fumée visible et brûlera mal.

TUBES D'AIR

Les conduits d'air assemblés dans cette unité sont conçus pour offrir un mélange précis d'air secondaire et assurer une plus grande efficacité. Tout dommage ou détérioration de ces tubes peut réduire l'efficacité de la combustion.

FONCTIONNEMENT DU VENTILATEUR

Le ventilateur à vitesse variable fait circuler l'air réchauffé par la boîte à feu dans le salon pour réparer la chaleur plus uniformément. Le bouton de commande du ventilateur est situé sur le côté du boîtier. Tournez le bouton dans le sens horaire pour allumer le ventilateur. La vitesse est contrôlée en tournant le bouton dans le sens horaire pour des vitesses plus lentes et dans le sens antihoraire pour des vitesses plus rapides. Pour éteindre le ventilateur, tournez le bouton de commande de vitesse complètement dans le sens inverse des aiguilles d'une montre. Il est recommandé d'éteindre le ventilateur lorsque l'unité ne fonctionne pas. Le ventilateur doit être retiré au début de chaque saison de « combustion » et purifié par soufflage d'air, en éliminant toute poussière ou accumulation.

Paramètres d'air primaire (L'amortisseur à glissière est situé au centre du poêle sous la plaque d'âtre) (Réglage du registre de tirage: Tirer sur le registre augmente l'air)	
Taux de combustion	Régler l'amortisseur à partir de la position complètement fermée
FAIBLE	Fermé
Moyen	3,18 mm (1/8 po)
Moyen - élevé	12,7 mm (1/2 po)
Élevé	Retirer complètement la tige

bois est prêt à brûler, il suffit de vérifier les extrémités des pièces. Si le bois est sans doute assez sec pour être brûlé. Si votre bois grésille quand il brûle, même si la surface est sèche, il n'est peut-être pas entièrement sec et doit être laissé à sécher plus longtemps. Il est EXTREMEMENT IMPORTANT d'utiliser uniquement du BOIS SEC dans votre poêle à bois. Le bois doit avoir séché pendant 9 à 15 mois afin que la teneur en humidité (en poids) soit réduite à moins de 20 % du poids de la bûche. Il est très important de garder à l'esprit que même si le bois est coupé depuis un, deux ou même trois ans, il n'est pas nécessairement sec et a peut-être été entreposé dans des conditions médiocres. Sous des conditions extrêmes, il peut pourrir au lieu de sécher. On ne saurait trop insister sur ce point : la grande majorité des problèmes liés au fonctionnement d'un poêle à bois sont dus à l'utilisation d'un bois trop humide ou séché dans de mauvaises conditions. Ces problèmes peuvent être :

- problèmes d'allumage

- accumulation de crésote causant des feux de cheminée

- faible rendement énergétique

- noircissement des fenêtres

- combustion incomplète des bûches

Ne brûlez pas de bûches fabriquées à partir de sciure imprégnée de cire ou de bûches contenant des additifs chimiques.

TESTER VOTRE BOIS

- Lorsque le poêle est complètement chauffé, placez un morceau de bois fendu (environ cinq pouces de diamètre) parallèle à la porte sur le lit de braises rouges.

- Gardez le contrôle de l'air complètement ouvert et fermez la porte. Si le bois s'enflamme dans les 90 secondes à partir du moment où il a été placé dans le poêle, votre bois est correctement séché. Si l'inflammation est plus longue, votre bois est humide.

- Si votre bois siffle et que de l'eau ou de la vapeur s'échappe aux extrémités du morceau, votre bois est trempé ou fraîchement coupé (vert). N'utilisez jamais ce bois dans votre poêle. De grandes quantités de crésote pourraient être déposées dans votre cheminée, créant ainsi des conditions potentielles pour un feu de cheminée.

AVERTISSEMENT DE SABOTAGE

Cet appareil de chauffage au bois possède un taux de combustion réduit minimum prédéfini par le fabricant qui ne doit pas être atêré. Modifier ce réglage ou autrement utiliser cet appareil de chauffage au bois sans respecter les directives du présent manuel, contrevient aux réglementations fédérales.

RENDEMENTS

L'efficacité peut être basée sur le pouvoir calorifique inférieur (PCI) ou le pouvoir calorifique supérieur (PCS) du combustible. Le pouvoir calorifique inférieur, c'est lorsque l'eau quitte le processus de combustion sous forme de vapeur, dans le cas des poêles à bois, c'est l'humidité dans le bois brûlé qui quitte le poêle sous forme de vapeur. Le pouvoir calorifique supérieur, c'est lorsque l'eau quitte le

processus de combustion sous forme entièrement condensée. Dans le cas des poêles à bois, ceci voudrait dire que les gaz d'évacuation sont à la température de la pièce en quittant le système, et donc, les calculs utilisant cette valeur de chaleur considèrent l'élévation de la chaleur dans la cheminée comme une perte d'énergie. Ainsi, l'efficacité calculée en utilisant le pouvoir calorifique inférieur du bois sera plus élevée que celle calculée en utilisant le pouvoir calorifique supérieur. La meilleure façon d'atteindre des efficacités optimales est d'appréhender les caractéristiques de brûlage de votre appareil et du bois bien séché. Des taux de combustion plus élevés ne sont pas toujours meilleurs; après qu'un bon feu est établi, un taux de combustion plus bas peut être la meilleure option pour un chauffage efficace. Un taux de combustion plus bas ralentit la sortie du flux de chaleur utilisable hors de la maison par la cheminée, et il consomme également moins de bois.

AVIS - BRÛLAGES INITIAUX POUR DURCIR LA PEINTURE

EN RAISON DES TEMPÉRATURES DE FONCTIONNEMENT ÉLEVÉES, CET APPAREIL EST RECOUVERT D'UNE PEINTURE SPÉCIALE HAUTE TEMPÉRATURE QUI NÉCESSITE UNE SÉRIE DE BRÛLAGES FAIBLES À MOYENS POUR DURCIR COMPLÈTEMENT AFIN D'ASSURER SA DURABILITÉ ET SA DURÉE DE VIE.

Le durcissement correct de la peinture haute température nécessite une série de trois brûlages initiaux. Il faut laisser refroidir l'appareil entre chaque brûlage. Les deux premiers brûlages doivent être de petits feux à basse température (120 °C/250 °F) d'une durée de 20 minutes chacun. Le troisième feu doit être à une température d'environ 260 °C/500 °F pendant 20 minutes. Prévoyez une ventilation transversale adéquate pour évacuer toute fumée ou odeur causée par les premiers feux.

Avis : N'utilisez que du combustible à base de bois solide! Ne pas brûler de déchets, ni de liquides inflammables. N'utilisez pas de charbon. Cet appareil n'est pas conçu pour accueillir le flux d'air (tirage) nécessaire pour brûler correctement du charbon ou des produits à base de charbon. Ne surélevez pas le feu à l'aide de grilles ou de fers. Faites le feu directement sur la brique réfractaire.

INSTRUCTIONS POUR LE RAVITAILEMENT EN CARBURANT

Ce poêle à bois a été certifié par l'US EPA pour répondre aux directives strictes de 2020. Pour s'assurer que cette unité produit les émissions minimales optimales, il est essentiel que seul du bois de corde bien assaisonné soit brûlé (voir la section « Recommandations de carburant » de ce manuel). Brûler du bois humide non séché ne fait que nuire à l'efficacité de vos poêles et accélère l'accumulation de crésote dans votre cheminée. Soyez respectueux de l'environnement et brûlez uniquement du bois sec.

AVERTISSEMENT :
NE LAISSEZ PAS L'APPAREIL SANS SURVEILLANCE
LORSQUE LA PORTE EST OUVERTE.

NE JAMAIS FAIRE FONCTIONNER CE PRODUIT SANS SURVEILLANCE

UTILISATION DU POÊLE À BOIS

Votre appareil de chauffage a été conçu pour brûler uniquement du bois naturel bien sec; aucun autre matériau ne doit être brûlé. Tout type de bois naturel bien séché peut être utilisé dans votre poêle, mais certaines variétés ont un meilleur rendement énergétique que d'autres. Des rendements plus élevés et des émissions plus faibles résultent généralement de la combustion de bois feuillus séchés à l'air par rapport aux bois tendres ou aux bois feuillus trop verts ou fraîchement coupés. Les ressources suivantes peuvent aider à apprendre les caractéristiques de combustion de diverses espèces de bois :

<http://firewoodresource.com/firewood-btu-ratings/>; ou <https://forestry.usda.edu/forest-products/wood-heatng>

Le fonctionnement de ce chauffage au bois d'une manière incompatible avec le manuel du propriétaire annulera votre garantie et contribuera également aux réglementations fédérales. Les déchets ou autres matières inflammables ne doivent pas être brûlés dans votre poêle. NE PAS BRÛLER :

1. des ordures;
2. des déchets de tonte ou résidus de jardin;
3. des matériaux contenant du caoutchouc, incluant les pneus;
4. des matériaux contenant du plastique;
5. des déchets de produits du pétrole, des peintures ou diluants à peinture, ou des produits d'asphalte;
6. des matériaux contenant de l'amiante;
7. des débris de construction ou de démolition;
8. des traverses de voie ferrée ou du bois traité sous pression;
9. du fumier ou des restes d'animaux;
10. du bois flotté sale ou d'autres matériaux précédemment saturés d'eau sale;
11. du bois non séché; ou
12. Produits de papier, carton, contreplaqué ou panneau de particules. L'interdiction de brûler ces matériaux n'empêche pas l'utilisation d'allume-feu composés de papier, de carton, de sciure, de cire et autres substances similaires afin d'allumer un feu dans un appareil de chauffage au bois.

Brûler ces matériaux peut causer l'émission de fumées toxiques ou rendre l'appareil de chauffage inefficace et causer de la fumée. Le bois mort gisant sur le sol de la forêt doit être considéré comme humide et nécessite un temps de maturation complet. On peut généralement considérer que le bois mort sur pied a séché aux 2/3 environ. De plus petits morceaux de bois sécheront plus rapidement. Toutes les bûches excédant 15,2 cm (6 po) de diamètre doivent être fendues. Le bois ne doit pas être entreposé directement sur le sol. L'air doit pouvoir circuler à travers la corde de bois. Un espace de 61 à 121,9 cm (24 à 48 po) doit être laissé entre chaque rangée de bûches, qui doivent être placées dans un endroit comportant le plus d'aération possible. La couche externe du bois doit être protégée des éléments, mais pas la surface latérale. Pour savoir si le

PRÉCAUTIONS : RISQUES D'INCENDIE DANS LA MAISON

- NE PAS ENTREPOSER LE BOIS SUR LE PROTECTEUR DE PLANCHER, SOUS LE(S) TUYAU(X) DE POÊLE OU À TOUT AUTRE ENDROIT À L'INTÉRIEUR DES DÉGAGEMENTS AUX SURFACES COMBUSTIBLES SPÉCIFIÉS POUR CET APPAREIL.
- NE JAMAIS FAIRE FONCTIONNER L'APPAREIL SI LES TUBES SECONDAIRES, LES PANNEAUX DE FIBRES OU L'ISOLATION ONT ÉTÉ RETIRÉS.

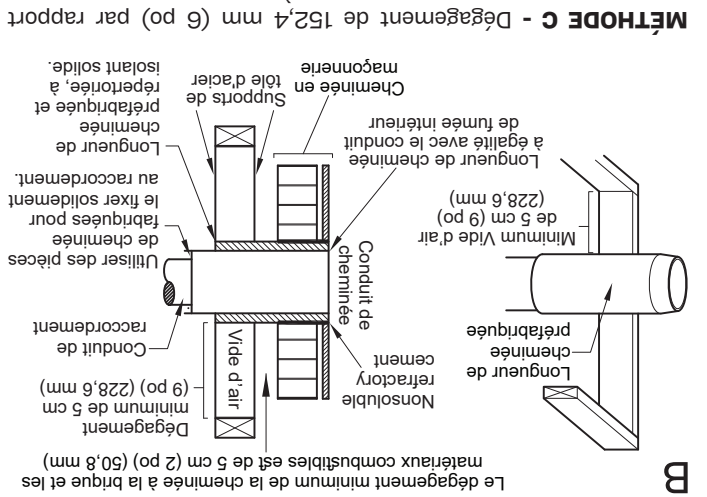
PRÉCAUTIONS DE SÉCURITÉ DE FONCTIONNEMENT

- NE JAMAIS SURCHAUFFER CET APPAREIL EN FAISANT DES FEUX EXCESSIVEMENT CHAUDS, CAR CELA POURRAIT PROVOQUER UN INCENDIE DANS LA MAISON OU LE BÂTIMENT. VOUS SURCHAUFFEZ L'APPAREIL S'IL COMMENCE À BRILLER OU À DEVENIR ROUGE.
- NE JAMAIS FAIRE DE FEUX TROP IMPORTANTS DANS CE TYPE D'APPAREIL CAR CELA POURRAIT ENDOMMAGER LA BOÎTE À COMBUSTION OU PROVOQUER DES FUITES DE FUMÉE.
- NE PAS FAIRE DE FEU TROP PRÈS DE LA VITRE.
- CHAUD LORSQU'IL FONCTIONNE. GARDER LES ENFANTS, LES VÊTEMENTS ET LES MEUBLES À DISTANCE. LE CONTACT PEUT ENTRAÎNER DES BRÛLURES DE LA PEAU. NE PAS TOUCHER L'APPAREIL AVANT QU'IL AIT REFROIDI.
- FOURNIR UN AIR SUFFISANT POUR LA COMBUSTION DANS LA PIÈCE OÙ L'APPAREIL EST INSTALLÉ.
- INSPECTER LA DOUBLURE DE CHEMINÉE TOUTS LES 60 JOURS. REMPLACEZ IMMÉDIATEMENT LA DOUBLURE EN CAS DE ROUILLE OU DE FUIITE DE FUMÉE DANS LA PIÈCE.
- LES TENTATIVES D'ATTEINDRE DES TAUX DE SORTIE DE CHALEUR QUI DÉPASSENT LES SPÉCIFICATIONS DE CONCEPTION DU RÉCHAUFFEUR PEUVENT ENTRAÎNER DES DOMMAGES PERMANENTS AU RÉCHAUFFEUR.

AVERTISSEMENT : RISQUE D'EXPLOSION

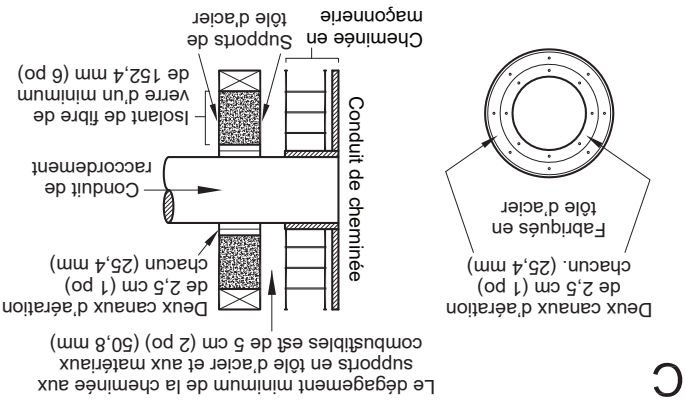
- NE JAMAIS UTILISER DE PRODUITS CHIMIQUES, D'ESSENCE, DE COMBUSTIBLE POUR LANTERNE DE TYPE ESSENCE, DE KÉROSÈNE, D'ALLUME-FEU POUR CHARBON DE BOIS OU DE LIQUIDES INFLAMMABLES SIMILAIRES POUR ALLUMER OU « RAFRAÎCHIR » UN FEU DANS L'APPAREIL.
- ÉLOIGNER TOUTS LES LIQUIDES INFLAMMABLES, EN PARTICULIER L'ESSENCE, DU VOISINAGE DE L'APPAREIL, QUE CE SOIT EN COURS D'UTILISATION OU DE STOCKAGE.

MÉTHODE B - Dégagement de 228,6 mm (9 po) par rapport à l'élément de paroi combustible : À l'aide d'une cheminée Solid-Pak de 152,4 mm (6 po) de diamètre intérieur, réperforée et construite en usine avec une isolation de 25,4 mm (1 po) ou plus, construisez un manchon de raccordement avec un espace d'air minimum de 228,6 mm (9 po) entre la paroi extérieure de la cheminée et les combustibles muraux. Utilisez des supports de tôle métallique fermement fixés aux surfaces murales sur tous les côtés afin de maintenir un espace d'air de 22,86 cm (9 po). Lorsque vous fixez les supports à la longueur de la cheminée, faites attention de ne pas perforez la doublure de la cheminée (le mur intérieur de la cheminée Solid-Pak). L'extrémité interne de la section de la cheminée Solid-Pak doit être ajustée à l'intérieur du conduit de fumée en maçonnerie, et être scellée avec un ciment réfractaire soluble à base d'un autre liquide que l'eau. Utilisez ce ciment pour sceller à la pénétration de la maçonnerie de brique.



MÉTHODE C - Dégagement de 152,4 mm (6 po) par rapport à l'élément de paroi combustible : À partir d'un conduit de raccordement de cheminée métallique d'au moins 24 jauges (0,024 po [0,61 mm]) de 152,4 mm (6 po) et d'un coupe-feu mural ventilé d'au moins 24 jauges qui a deux canaux d'air de 1 po (25,4 mm) chacun, construisez un manchon de raccordement. Une aire de séparation avec un isolant en fibre de verre d'un minimum de 15,24 cm (6 po) devra séparer la surface externe du coupe-feu mural, et couvrez les extrémités avec un support en tôle métallique de gabarit 24. Maintenez l'espace de 15,24 cm (6 po). Il faudra aussi que le support soit d'une taille adaptée au conduit de raccordement en métal. Veillez à ce que les supports soient solidement fixés aux surfaces murales sur tous les côtés. S'assurer que les fixations utilisées pour fixer le conduit de raccordement de cheminée métallique ne pénétrant pas dans le revêtement de cheminée.

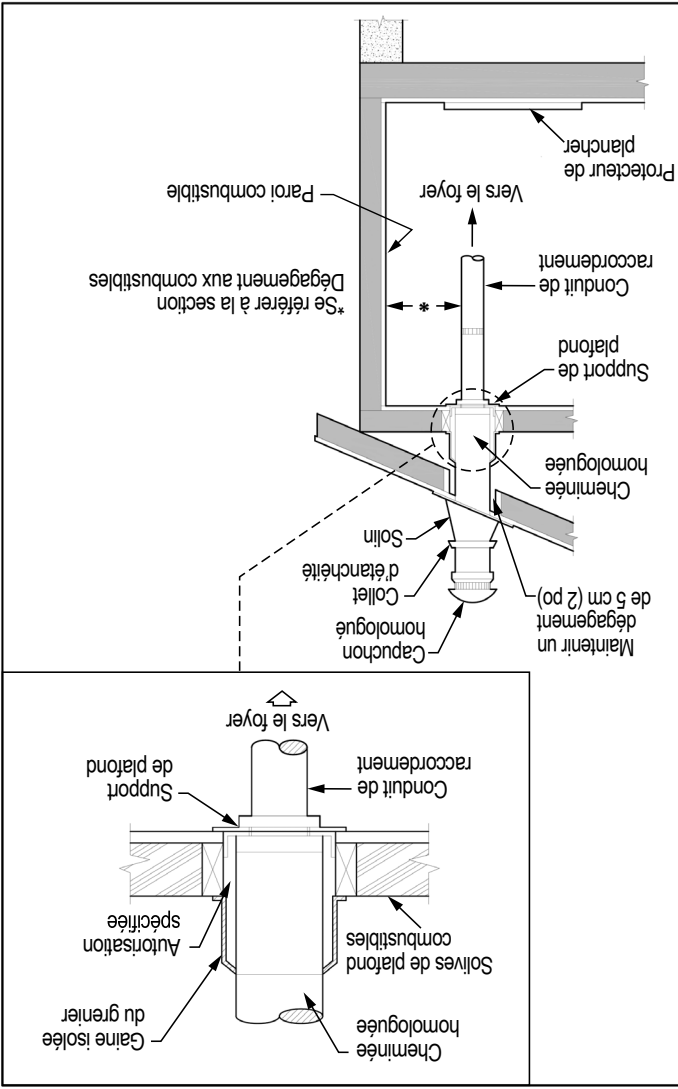
MÉTHODE D - Dégagement de 50,8 mm (2 po) par rapport à l'élément de paroi combustible : Commencez avec une section de cheminée construite en usine d'au moins 304 mm (12 po) de long, avec une isolation de 25,4 mm (1 po) ou plus et un diamètre intérieur de 20 cm (8 po) (51 mm (2 po)) de plus que le conduit de raccordement de cheminée de 152,4 mm (6 po). Utilisez ceci à simple paroi d'un calibre minimum 24. Gardez la section solid-pak concentrique et espacée de 2,54 cm (1 po) du conduit de raccordement de la cheminée par des plaques de tôle métallique aux extrémités de la section de la cheminée. Couvrez les ouvertures et la section de support de la cheminée aux extrémités; utilisez des supports de tôle métallique de gabarit 24. Veillez à ce que les supports soient solidement fixés aux surfaces murales sur tous les côtés. S'assurer que les fixations utilisées pour fixer la conduite de cheminée ne pénétrant pas dans le revêtement intérieur.



REMARQUES :

- Les raccords à une cheminée de maçonnerie, à l'exception de la méthode B, doivent s'étendre dans une section continue à travers le système de passage intramural et le mur de la cheminée, mais pas au-delà de la face intérieure du revêtement de conduit de fumée.
- Un conduit de raccordement ne doit pas passer à travers le grenier ou le toit, le placard ou tout espace fermé similaire, le plancher

CHEMINÉE PRÉFABRIQUÉE



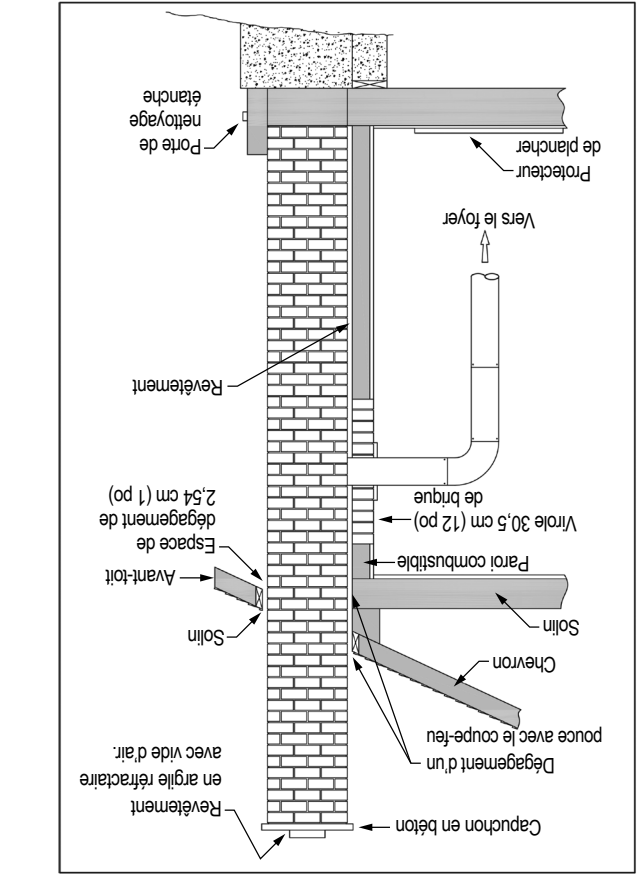
Lorsqu'une cheminée préfabriquée en métal est utilisée, les instructions d'installation du fabricant doivent être suivies. Vous devez aussi acheter (après du même fabricant) et installer l'ensemble du support de plafond ou un manchon de raccordement et une section en « T », des pare-feu (là où requis), un écran d'isolation, un solin de toit, un chapeau de cheminée, etc. Maintenez les dégageurs adéquats par rapport à la construction, comme recommandé par le fabricant. La cheminée doit être à la hauteur requise au-dessus du toit ou d'autres obstructions pour la sécurité et le bon fonctionnement de l'enfoncement.

CHEMINÉE DE MAÇONNERIE

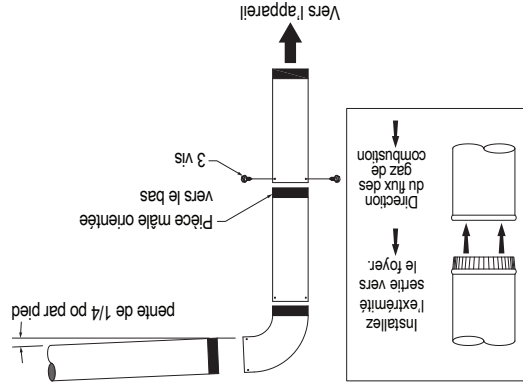
Assurez-vous qu'une cheminée en maçonnerie répond aux normes minimales de la National Fire Protection Association (NFPA) en faisant inspecter par un professionnel. S'assurer qu'il n'y a pas de fissures, de mortier lâche ou d'autres signes de détérioration et de blocage. Assurez-vous que la cheminée est nettoyée avant d'installer le poêle. Lors de la connexion du poêle à travers un mur combustible à une cheminée en maçonnerie, des méthodes spéciales sont nécessaires.

TRAVERSÉES DU CONDUIT DE RACCORDEMENT DE CHEMINÉE MURALE COMBUSTIBLE

MÉTHODE A - Dégageur de 30,48 cm (12 po) par rapport à l'élément du mur combustible : À l'aide d'une épaisseur minimale de 89 mm (3,5 po) de brique et d'un revêtement d'argile d'une épaisseur minimale de 15,9 mm (5/8 po), construisez un manchon de raccordement. Le boisseau d'argile doit respecter la norme ASTM C315 (normes de spécification des boisseaux d'argile réfractaire) ou son équivalent. Maintenez un minimum de 30,48 cm (12 po) de briquetage entre le boisseau d'argile et les matériaux combustibles du mur. Le boisseau d'argile doit passer de la surface extérieure du briquetage à la surface intérieure du doublage du conduit de fumée, sans dépasser la surface intérieure. Fermez le coulis ou cimentez le revêtement d'argile en place au revêtement de conduit de cheminée.

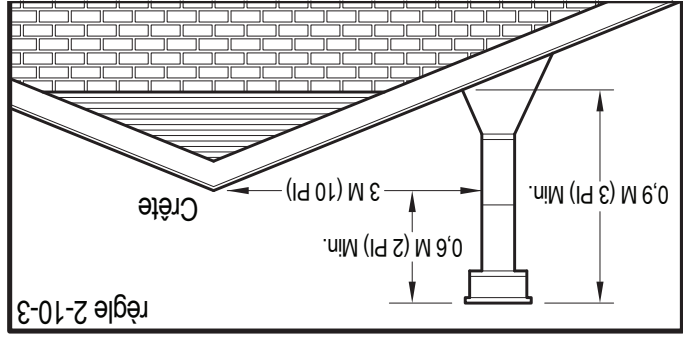


CONDUIT DE RACCORDEMENT CHEMINÉE (TUYAU DE POËLE)



Le conduit de raccordement de cheminée et la cheminée doivent avoir le même diamètre que la sortie du poêle 15,2 cm (6 po). Si ce n'est pas le cas, nous vous recommandons de contacter votre revendeur pour vous assurer qu'il n'y aura pas de problème avec le brouillon. Le tuyau de poêle doit être en acier aluminisé ou laminé à froid et avoir un épaisseur minimale de 0,21 po ou 0,53 mm. Il est strictement interdit d'utiliser de l'acier galvanisé. Le tuyau de fumée doit être assemblé pour favoriser la section mâle (extrémité serte) du tuyau à faire face vers le bas. Attachez chaque section à une autre avec trois vis métalliques espacées d'une distance égale. Le tuyau doit être court et droit. Toutes les sections installées à l'horizontale doivent avoir une pente d'au moins 6,35 mm (1/4 po) sur 304,8 mm (1 pi), avec l'extrémité supérieure de la section orientée vers la cheminée. Toute installation avec un tuyau de cheminée horizontal doit être conforme à la NFPA 211. Pour assurer un bon tirant d'eau, la longueur totale du tuyau d'accouplement ne doit jamais dépasser 2,4 à 3,04 m (8 à 10 pi). Excepté les cas d'installation verticale, dans un style de toit cathédrale ou le système d'évacuation des fumées peut être beaucoup plus long et connecté sans problème à la cheminée au plafond de la pièce. Il ne doit jamais y avoir plus de deux coudes à 90 degrés dans le système d'échappement des fumées. Il est interdit d'installer un « stabilisateur de tirage barométrique » (registre de foyer) sur un système d'évacuation des fumées. En outre, l'installation d'un amortisseur de tirage n'est pas recommandée. Avec un poêle à bois à combustion contrôlée, le tirage est réglé lors de l'admission de l'air de combustion dans le poêle et non à l'échappement.

L'IMPORTANCE D'UN BON TIRAGE D'AIR



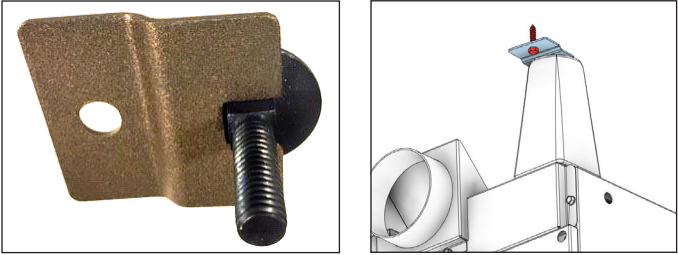
CHEMINÉE

Votre poêle à bois peut être raccordé à une cheminée préfabriquée ou en maçonnerie de 6 pouces. Si vous utilisez une cheminée préfabriquée, elle doit être conforme à la norme UL 103 ou CAN/ULC-S629 ; il doit donc s'agir d'un type HT (2100°F). Il doit être installé selon les spécifications du fabricant. Tenez compte de l'emplacement de la cheminée pour vous assurer qu'elle n'est pas trop proche des voisins ou dans un valon qui pourrait engendrer des conditions insalubres ou des nuisances. Si vous utilisez une cheminée en maçonnerie, elle doit être construite conformément aux spécifications du Code national du bâtiment. Il doit être revêtu de briques réfractaires, de tuiles métalliques ou d'argile scellées ensemble avec du ciment réfractaire. Les conduits ronds sont les plus efficaces. Le diamètre intérieur du conduit de cheminée doit être identique à celui de l'évacuation des fumées du poêle. Un conduit trop petit peut engendrer des problèmes de tirage, tandis qu'un conduit de grande taille favorise un refroidissement rapide du gaz, d'où l'accumulation de crésote et les risques de feu de cheminée. À noter que c'est la cheminée et non le poêle qui crée l'effet de tirage ; la performance de votre poêle dépend directement d'un tirage adéquat de votre cheminée. **Ne connectez pas cette unité à un conduit de fumée utilisé par un autre appareil.** Les recommandations suivantes peuvent être utiles pour l'installation de votre cheminée :

1. Elle doit s'élever au-dessus du toit à au moins 0,9 m (3 pi) du point de contact le plus haut.
2. La cheminée doit dépasser l'importance quelle partie du bâtiment ou autre obstacle à une distance de 3,04 m (10 pi) par une hauteur de 0,6 m (2 pi).
3. L'installation d'une cheminée intérieure est toujours préférable à une cheminée extérieure. En effet, la cheminée intérieure sera, par définition, plus chaude qu'une cheminée extérieure, chauffée par l'air ambiant de la maison. Par conséquent, le gaz qui circule se refroidira plus lentement, réduisant ainsi l'accumulation de crésote et le risque de feu de cheminée.
4. Le courant d'air provoqué par la tendance à la montée d'air chaud augmentera avec une cheminée intérieure.
5. L'utilisation d'un écran coupe-feu à l'extrémité de la cheminée pas obstruée, bloquant ainsi le tirage, et il doit être nettoyé lorsqu'il est utilisé régulièrement.

FIXATION DE L'APPAREIL AVEC LES JAMBES AU SOL

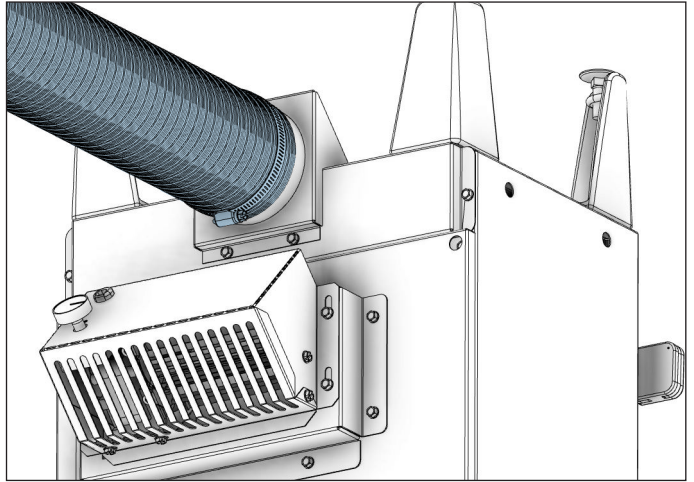
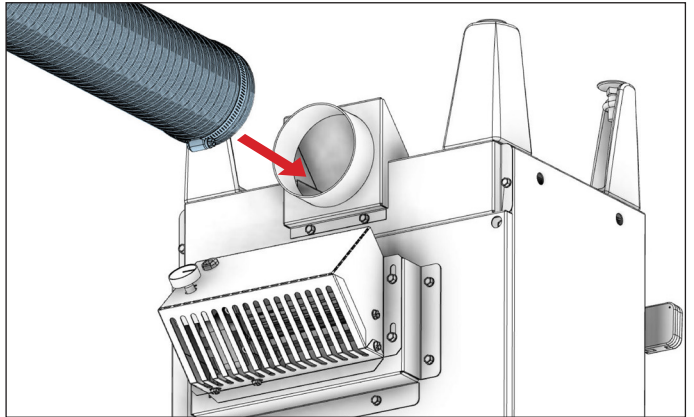
1. Le support s'engage autour de l'extrusion carrée du boulon de mise à niveau inséré dans la jambe.
2. Une fois l'appareil de niveau, positionnez le support et fixez-le au sol à l'aide des deux (2) tire-fonds 1/4 x 1-1/2 (h) fournis pour fixer l'appareil au sol. REMARQUE : Les deux (2) tire-fonds 1/4 x 1-1/2 (h) fournis peuvent ne pas convenir à une installation dans votre maison mobile/bâtiment transportable. Reportez-vous aux codes locaux pour déterminer les exigences requises pour votre unité.
3. Installez un support par jambe ou consultez votre autorité locale compétente pour déterminer combien de points de fixation sont nécessaires.



En plus des exigences d'installation détaillées précédemment, les installations de maisons mobiles doivent respecter les exigences suivantes :

- Le radiateur doit être raccordé à une cheminée préfabriquée, en conformité avec la norme UL 103, pour les cheminées préfabriquées de 650 °C.
- Le radiateur doit être fixé de façon permanente au sol. Il y a deux trous dans la base du piedestal, utilisez des boulons de 3/8 po à travers le sol.

- Le chauffage doit être relié électriquement au châssis en acier de la maison mobile/bâtiments portatifs avec un fil de cuivre de 8 GA à l'aide d'une rondelle dentelée ou en étoile pour pénétrer dans la peinture ou le revêtement de protection pour assurer la mise à la terre.
- Lors du déplacement de la maison mobile/bâtiments portatifs, tous les conduits de ventilation extérieurs doivent être retirés pendant le déplacement de la maison mobile/bâtiments portatifs. Après le déplacement, tous les conduits doivent être réinstallés et solidement fixés.
- L'air extérieur est obligatoire pour l'installation dans une maison mobile/bâtiments portatifs. Adressez-vous à votre concessionnaire pour l'achat de votre produit.
- Vérifiez auprès de vos responsables locaux du bâtiment que d'autres codes peuvent s'appliquer.
- N'utilisez que les composants spécifiés dans ce manuel pour cet appareil. L'utilisation de composants qui ne sont pas destinés à cet appareil peut entraîner des conditions dangereuses.



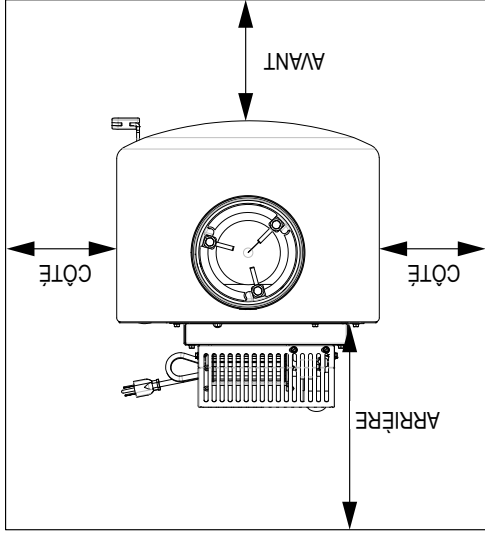
Faites glisser le collier de serrage sur le tuyau flexible en aluminium. Ensuite, faites glisser le tuyau flexible sur le tube d'admission d'air du poêle. Ensuite, serrez le collier de serrage au-dessus de l'extrémité du tuyau flexible en aluminium.

<p>POUR UNE UTILISATION DANS DES MAISONS MOBILES</p> <ul style="list-style-type: none"> • AVERTISSEMENT! NE PAS INSTALLER DANS LA CHAMBRE À COUCHER. • ATTENTION! L'INTÉGRITÉ STRUCTURALE DU PLANCHER, DES MURS ET DU PLAFOND/TOITURE DE LA MAISONS MOBILES/BÂTIMENTS PORTATIFS DOIT ÊTRE MAINTENUE. • INSTALLER CONFORMÉMENT À 24 CFR, PIÈCE 3280 (HUD). • UTILISEZ UNE CHEMINÉE CONSTRUITE EN USINE QUI EST CONFORME AUX NORMES UL 103; PAR CONSÉQUENT, ELLE DOIT ÊTRE DE TYPE HT (150 °C/2100 °F). • UTILISEZ UN PARE-ÉTINCELLES. • LE POÊLE DOIT ÊTRE ATTACHÉ À LA STRUCTURE DE LA MAISONS MOBILES/BÂTIMENTS PORTATIFS.
--

POUR LE SERVICE À LA CLIENTÈLE, APPELEZ : 800 750-2723 POSTE 5050

PROTECTEUR DE PLANCHER

Ce chauffage doit avoir un protecteur de sol incombustible, homologué UL 1618 ou équivalent, avec une valeur R d'au moins 2,8 installé sous lui si le sol est construit en matériau combustible. Le protecteur de plancher doit être suffisamment grand pour s'étendre sous le poêle et au-delà de chaque côté comme indiqué ci-dessous. S'il y a un tronçon horizontal de tuyau conduit de raccordement de cheminée, il doit y avoir une protection du sol sous celui-ci qui s'étend deux pouces au-delà de chaque côté du tuyau.



Arrière	51 mm (2 po)
Côtés	204 mm (8 po)
Avant	457mm (18 po)

DÉGAGEMENTS PAR RAPPORT AUX COMBUSTIBLES

Il est de la plus haute importance que les dégagements par rapport aux matériaux combustibles soient strictement respectés lors de l'installation du poêle.

- Ne placez aucun matériau combustible dans un rayon de 458 mm (18 po) à l'avant.

- Le jeu entre le conduit de fumée et une paroi n'est valable que pour les parois verticales et pour le conduit de fumée vertical.
- Le conduit de raccordement de cheminée ne doit pas passer par un grenier ou un espace de toit, un placard ou un espace caché similaire, un plancher ou un plafond.

- Pour les installations canadiennes, lorsque le passage à travers un mur ou une cloison de construction combustible est souhaité, l'installation doit être conforme à la norme CAN/CSA-B365.

- Pour réduire les distances entre le conduit de fumée et les matériaux combustibles, contactez votre service de sécurité local.
- La hauteur du sol au plafond doit être d'au moins 2,13 m (7 pi).

AIR DE COMBUSTION EXTÉRIEUR

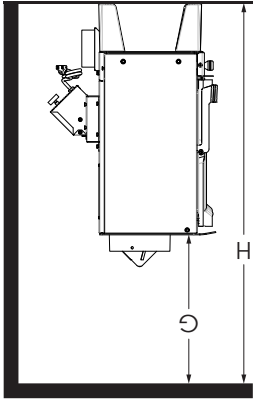
Votre poêle à bois est approuvé pour être installé avec une prise d'air extérieur (4FAK) qui est nécessaire pour une maison mobile/bâtiments portatifs. Ce type d'installation est également nécessaire dans les maisons étanches à l'air et les maisons avec des problèmes de pression négative. Vous pouvez acheter cette option auprès de votre revendeur de chauffage. Assurez-vous de spécifier le numéro de pièce mentionné dans ce livret. Les instructions d'installation sont fournies avec le kit d'admission d'air. De l'air extérieur de combustion peut être nécessaire si :

1. Votre poêle n'attire pas régulièrement, la fumée se déploie, le bois brûle mal, ou des courants d'air arrière se produisent, qu'il y ait ou non combustion présente.

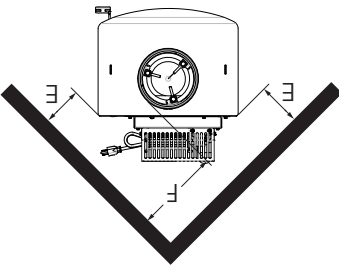
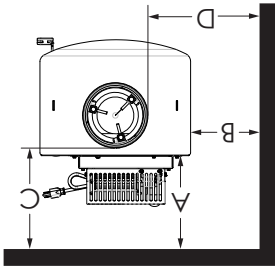
2. Les appareils de chauffage à combustible existants dans la maison, tels que les foyers ou autres appareils de chauffage, sentent mauvais, ne fonctionnent pas correctement, sont exposés à la fumée lorsqu'ils sont ouverts ou à des courants arrière, qu'il y ait ou non combustion.

3. L'ouverture d'une fenêtre pendant une journée calme (sans vent) allège les symptômes indiqués ci-dessus.
4. La maison est équipée d'un pare-vapeur correctement scellé et de fenêtres bien étanches et/ou possède des appareils alimentés qui évacuent de l'air vers l'extérieur.

5. Une très forte condensation est présente sur les fenêtres pendant l'hiver.
6. Un système de ventilation est installé dans la maison.



Clé	po	mm
A	13	331
B	13	331
C	14,5	369
D	18	458
E	10	254
F	15,5	394
G	60	1524
H	84	2134



AVIS DE SÉCURITÉ

- NE PAS INSTALLER DANS UNE ALCÔVE
- CET APPAREIL DE CHAUFFAGE NE DOIT PAS ÊTRE INSTALLÉ DANS UN FOYER PRÉFABRIQUÉ EN USINE.
- SI CE POÊLE N'EST PAS CORRECTEMENT INSTALLÉ, UN INCENDIE PEUT SE PRODUIRE DANS LA MAISON. POUR RÉDUIRE LE RISQUE D'INCENDIE, SUIVEZ LES INSTRUCTIONS D'INSTALLATION.
- CONSULTEZ VOTRE SERVICE DE BÂTIMENT MUNICIPAL OU VOS RESPONSABLES D'INCENDIE AU SUJET DES PERMIS, RESTRICTIONS ET EXIGENCES D'INSTALLATION DE VOTRE RÉGION.
- UTILISEZ DES DÉTECTEURS DE FUMÉE DANS LA PIÈCE OÙ VOTRE POÊLE EST INSTALLÉ.
- ÉLOIGNEZ LES MEUBLES ET LES RIDEAUX DU POÊLE.
- N'UTILISEZ JAMAIS DE L'ESSENCE, DE L'HUILE DE LAMPE DE TYPE GAZOLE, DU KÉROSÈNE, DU LIQUIDE D'ALLUMAGE DE CHARBON DE BOIS OU DES LIQUIDES SIMILAIRES POUR DÉMARRER CET APPAREIL OU LE RALLUMER. GARDEZ TOUS CES LIQUIDES LOIN DU CHAUFFAGE QUAND IL EST EN MARCHÉ.
- EN CAS D'INCENDIE DE CHEMINÉE, PUSSEZ LE CONTRÔLE D'AIR COMPLÈTEMENT FERMÉ POUR PRIVER L'INCENDIE D'OXYGÈNE. APPELÉZ LES POMPIERS.
- NE PAS BRANCHER SUR UN CONDUIT OU UN SYSTÈME DE DISTRIBUTION D'AIR.
- UNE SOURCE D'AIR FRAIS DANS LA PIÈCE OU LE LOCAL CHAUFFÉ DOIT ÊTRE FOURNIE EN CAS DE BESOIN.
- CET APPAREIL DE CHAUFFAGE DE PIÈCE NE DOIT PAS ÊTRE INSTALLÉ DANS UN FOYER PRÉFABRIQUÉ.

PLACEMENT DU POÊLE


Il est très important de positionner le poêle à bois le plus près possible de la cheminée, et dans une zone qui favorisera la distribution de chaleur la plus efficace possible dans toute la maison. Le poêle doit donc être installé dans la pièce où le plus de temps est passé, et dans la pièce la plus spacieuse possible. Rappelez-vous que les poêles à bois produisent de la chaleur rayonnante, la chaleur que nous ressentons lorsque nous sommes près d'un poêle à bois. Un poêle à bois fonctionne également par convection, c'est-à-dire par le déplacement de l'air chaud accéléré vers le haut et son remplacement par de l'air plus froid. Si nécessaire, la distribution d'air chaud à partir du poêle peut être facilitée par l'installation d'une soufflante. Le poêle à bois ne doit pas être raccorder à un système de distribution d'air chaud car une accumulation excessive de chaleur pourrait se produire. Un poêle à bois ne doit jamais être installé dans un couloir ou près d'un escalier, car il peut bloquer le chemin en cas d'incendie ou ne pas respecter les dérogations requises.

<https://www.wettinc.ca/>


<https://nfi-certified.org>,

Votre appareil de chauffage doit être installé par un technicien qualifié NFI (États-Unis) ou WETT (Canada). Pour trouver l'installateur qualifié le plus proche, rendez-vous sur :

NATIONAL FIREPLACE INSTITUTE

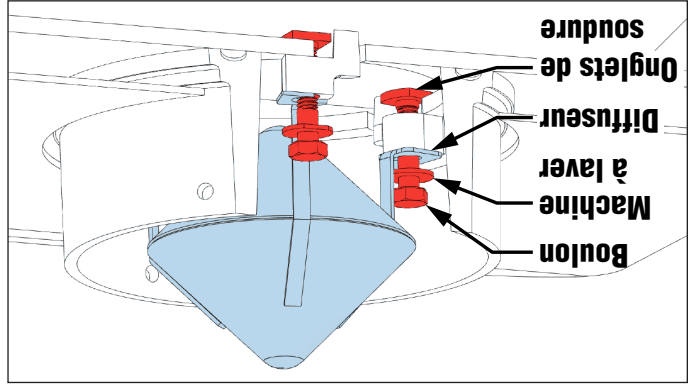


Nous recommandons que nos produits de foyer à bois soient installés et entretenus par des professionnels certifiés aux États-Unis par le National Fireplace Institute (NFI) en tant que spécialiste du chauffage au bois NFI ou certifiés au Canada par le programme de formation technique en énergie certifié www.nficertified.org du bois (WETT).



Wood Energy
Technical Training
www.wettinc.ca

4. Faites glisser les pieds fendus du diffuseur sur chaque boulon. Assurez-vous que les rondelles sont au-dessus des pieds fendus du diffuseur, comme illustré. Utilisez une douille et un cliquet pour serrer l'ensemble de collier de fumée à l'unité.

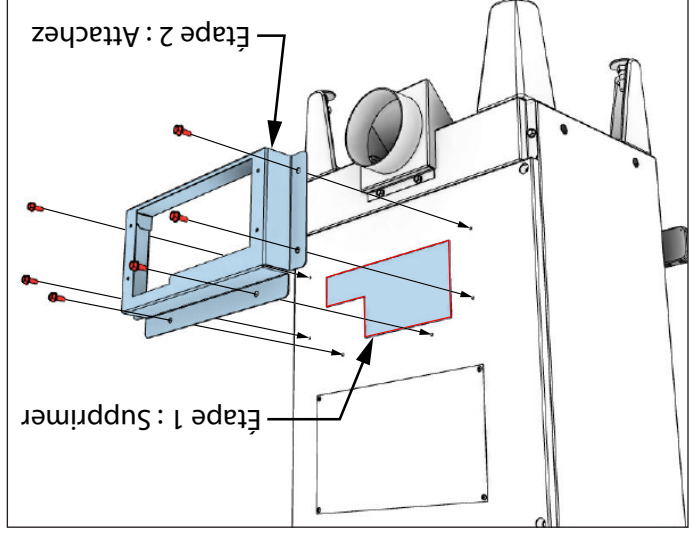


Ci-dessus, une illustration de l'installation du conduit de fumée et du diffuseur. L'installation de ce diffuseur est essentielle au bon fonctionnement du poêle ainsi qu'à l'obtention des feux les plus propres possibles. Le fait de ne pas installer ce diffuseur peut entraîner une éventuelle situation de sur-incendie. **LE DÉFAUT D'INSTALLATION DU DE L'INSTALLATION PEUT PROVOQUER UN INCENDIE, DES DOMMAGES À LA PROPRIÉTÉ ET/OU LA MORT.**

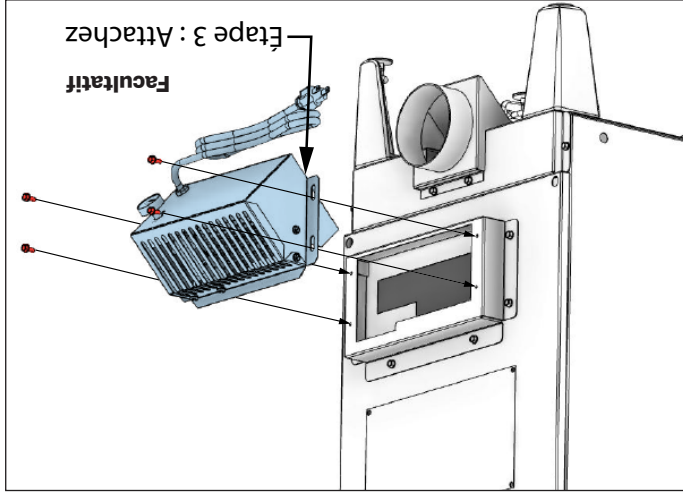
SUPPORT DE MONTAGE DU VENTILATEUR (INCLUS)

Un support de montage de ventilateur est requis pour cette unité lors de l'installation du kit de ventilateur CB36.

1. Retirez le cache du panneau arrière du radiateur.
2. Utilisez les six (6) vis à tête fournies (g) pour fixer le support de montage du ventilateur à l'arrière du poêle.

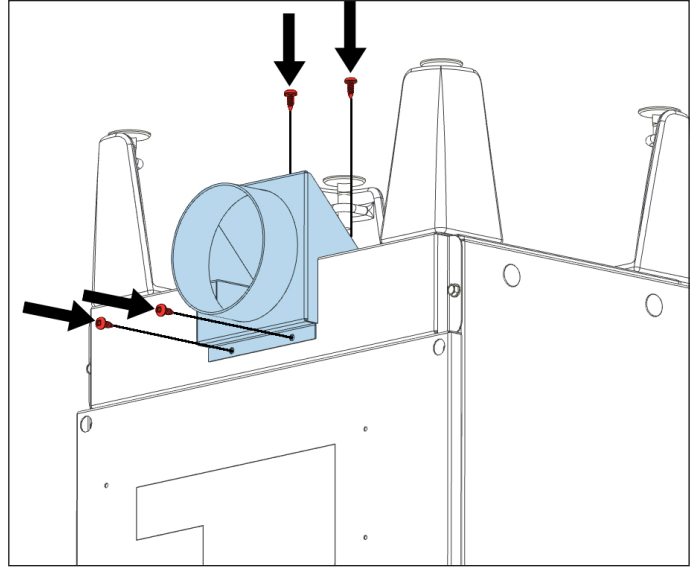


- ### ASSEMBLAGE DU VENTILATEUR
1. Fixez l'ensemble de ventilateur CB36 au support de ventilateur. Lors de l'installation de l'ensemble ventilateur CB36, reportez-vous aux instructions fournies avec le kit.



PRISE D'AIR SOFAK

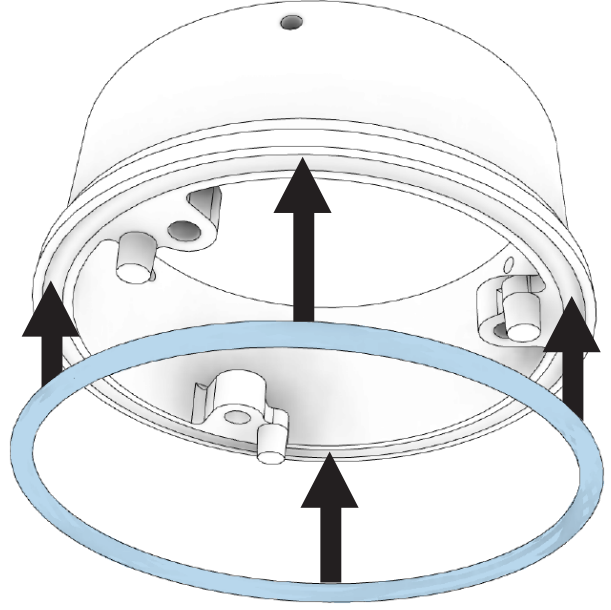
Fixez la prise d'air 50FAK à l'aide des quatre (4) vis à tôle (g) fournies.



ASSEMBLAGE DE COLLET DE CONDUIT

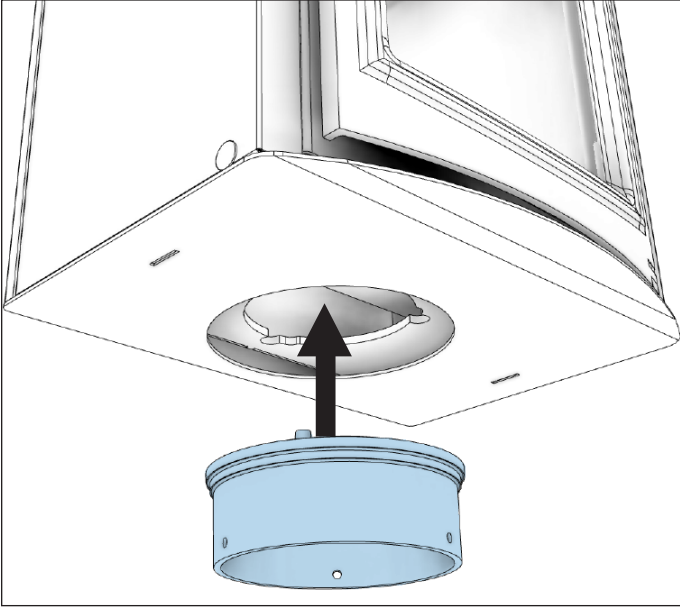
Montez le collier de fumée sur le dessus de l'appareil comme indiqué à l'aide des (3) boulons 5/16-18 x 1-1/2 (d), (3) rondelles (e) et (3) languettes à souder (f), fourni dans la boîte de pièces.

1. La rainure du câble est située sur la partie inférieure de la buse. Retirez le support en papier du joint de corde. Appuyez fermement sur le joint de corde dans la rainure de corde.



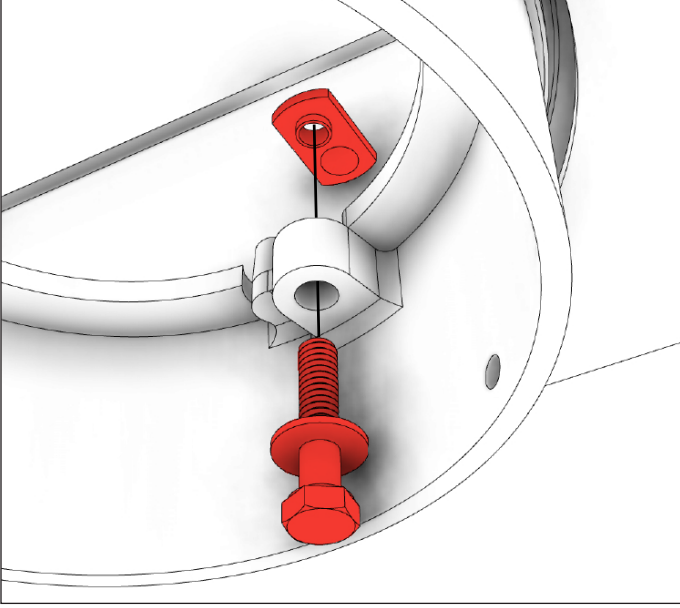
2.

Placez le collier de fumée sur la construction soudeée principale en alignant les chevilles situées au bas du collier de fumée avec les trous situés en haut de la construction soudeée principale.



3.

Placez une rondelle sur chaque boulon et insérez-la dans le trou de boulon correspondant situé dans le collier de cheminée. Une fois les rondelles et les boulons en place, commencez à enfiler une languette à souder sur chacun des boulons. REMARQUE : laissez les languettes de soudeure desserrées. NE serrez PAS les languettes de soudeure sur les boulons.



POUR LE SERVICE À LA CLIENTÈLE, APPELEZ : 800-750-2723 POSTE 5050

OUTILS ET MATÉRIAUX

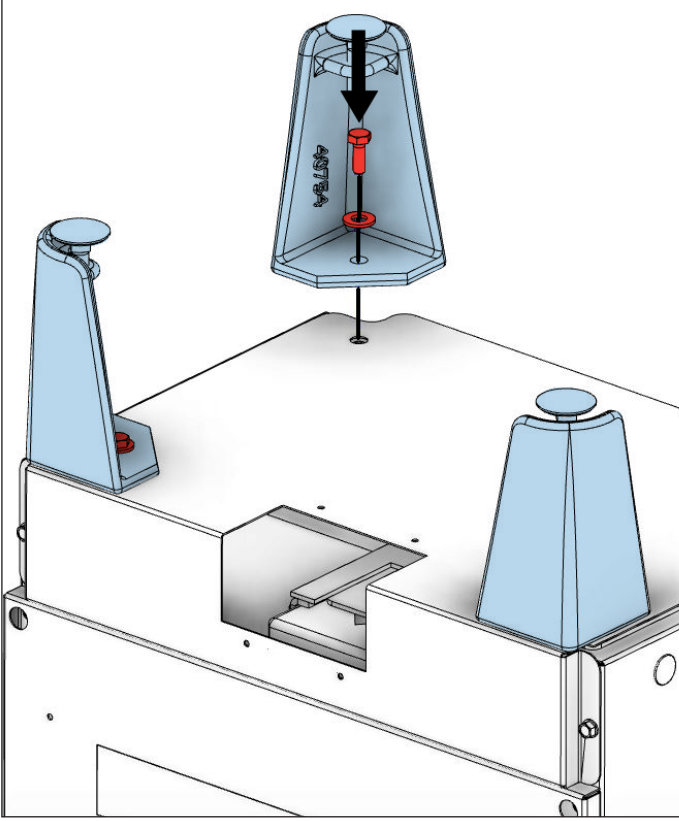
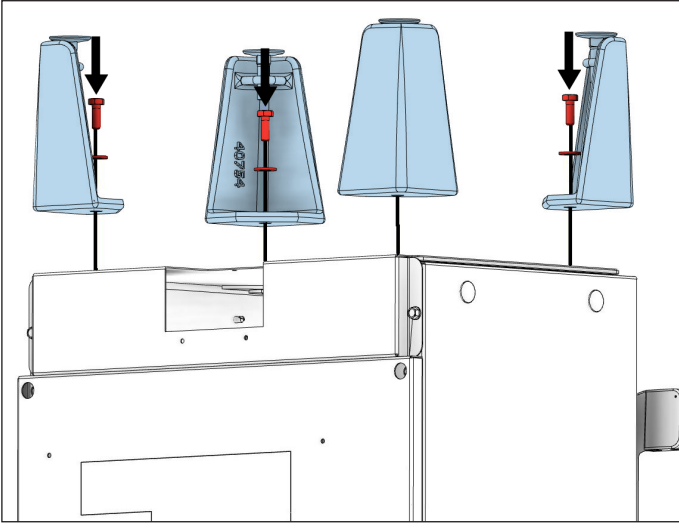
Vous aurez besoin des éléments suivants pour l'installation :

- Un tournevis cruciforme.
- Une clé à cliquet avec des douilles ou des clés de 7/16 po et 1/2 po pour installer la buse et le pied sur l'appareil.
- Un foret de 1/8 po pour percer des avant-trous dans le tuyau d'évent pour fixer chaque section.
- Un protecteur de sol incombustible tel que spécifié dans ce manuel.
- Tous les composants de cheminée et de connecteur de cheminée pour votre installation de cheminée particulière.
- Des articles supplémentaires pour les maisons mobiles/bâtiments portatifs peuvent être nécessaires. Voir la section « Pour une utilisation dans les maisons mobiles/bâtiments portatifs » de ce manuel.

Clé	Description	Qté
a	# 10 Sheet Metal Screw	22
b	Washer	4
c	1/4-20 Hex Bolt	4
d	5/16-18 x 1-1/2 Bolt	3
e	Washer	3
f	Weld Tab	3
g	Sheet Metal Screw	10
h	1/4 x 1-1/2 Lag Screw	2

Posez soigneusement le radiateur sur le dos et installez les quatre pieds à l'aide d'un total de quatre (4) boulons hexagonaux 1/4-20 (c) et quatre (4) rondelles (b). Remarque : Pour éviter de rayer, posez le carton avant de placer le radiateur sur le dos.

INSTALLATION DES JAMBES



Votre poêle à bois doit être installé par un installateur qualifié. Vous trouverez un(e) installateur(trice) qualifié(e) NFI à l'adresse www.nficertified.org/public/find-an-nfi-pro/

SERVICE À LA CLIENTÈLE

1-800-750-2723 poste 5050
 Envoyez un SMS au 423-301-5624
 Envoyez un courriel à : customerservice@usstove.com

LISTE DE VÉRIFICATION DE MISE EN SERVICE

Cette liste de vérification doit être remplie intégralement par la personne qualifiée qui installe cet appareil. Conservez cette page pour consultation ultérieure.

Le non-respect de l'installation et de la mise en service conformément aux instructions du fabricant et la non-exécution de cette liste de vérification annuleront la garantie.

Veuillez imprimer

Nom du client/de la cliente :		Numéro de téléphone :	
Adresse :			
Modèle :			
Numéro de série :			
Nom de l'entreprise d'installation :		Numéro de téléphone :	
Nom du (de la) technicien(ne) d'installation :		Numéro de permis :	

DESCRIPTION DU TRAVAIL

Emplacement de l'appareil installé : _____
 Système de cheminée : Nouveau système de cheminée Oui Non Si oui, marque _____
 Si non, date d'inspection du système de cheminée existant : _____

MISE EN SERVICE

- Confirmez l'installation du tapis d'être conformément aux instructions d'installation.....
- Confirmez le placement correct des pièces internes.....
- Vérifiez la solidité du joint d'étanchéité et des joints de porte.....
- Confirmez les dégagements aux combustibles conformément aux directives d'installation de ce manuel.....
- Vérifiez le fonctionnement des contrôles d'air.....
- Confirmez que le conduit de fumée et le système de cheminée sont bien fixés et scellés.....
- Confirmez que le poêle tire correctement lorsqu'il est allumé.....
- Assurez-vous qu'un avertisseur de CO est installé conformément aux codes de construction locaux et qu'il est fonctionnel.....
- Expliquez les exigences relatives à l'utilisation sûre, au bon usage du carburant, au nettoyage et à l'entretien de routine.....

Déclaration d'achèvement des travaux : En tant que personne qualifiée responsable des travaux décrits ci-dessus, je confirme que l'appareil, en tant que travail associé, a été installé conformément aux instructions du fabricant et en suivant les codes de construction et d'installation applicables.

Signature : _____ Nom en lettres moulées : _____ Date : _____

Propriétaire du logement : CONSERVEZ CES INFORMATIONS POUR CONSULTATION ULTÉRIEURE

Le manuel décrit l'installation et l'utilisation du chauffage au bois USSC TH100. Cet appareil de chauffage est conforme aux limites d'émission de bois de corde de 2020 de l'Agence américaine de protection de l'environnement pour les appareils de chauffage au bois vendus après le 15 mai 2020. Sous des conditions spécifiques de test, ce chauffage a offert des rendements calorifiques entre 10 652 et 26 028 BTU/h avec 1,7 g/h et 75 % de rendement. Remarque : Les cotes BTU mentionnées ci-dessus sont basées sur le protocole de test EPA dans des conditions de test spécifiques. Nos BTU annoncés sont basés sur la première heure de fonctionnement à vitesse de combustion élevée brûlant du bois de corde sec.

Combustible :	Bois		
Couleurs :	Noir		
Diamètre du conduit de cheminée :	153 mm (6 po)		
Type de conduit	Acier noir ou bleu 650 °C (2100 °F)		
Hauteur minimale de la cheminée :	3,7 m (12 pi)		
Longueur maximale des bûches :	279 mm (11 po)		
Électrique :	120 V CA, 0,55 A, 60 Hz		
Dimensions			
	PROFONDEUR	LARGEUR	HAUTEUR
Général : Profondeur x Largeur x Hauteur :	330 mm (13 po)	417 mm (16,4 po)	680 mm (26,75 po)
Chambre de combustion : Largeur x Profondeur	286 mm x 216 mm (11,25 x 8,5 po)		
Volume de la boîte à feu : Pieds cubes :	0,59 pi cubes		
Ouverture de la porte : Largeur x Hauteur :	244 mm x 244 mm (9,6 x 9,6 po)		
Porte en verre pyrocéramique (Visualisation) Largeur x Hauteur :	241 mm x 267 mm (9,5 x 10,5 po)		

- PRÉCAUTIONS :**
- CHAUD LORSQU'IL FONCTIONNE, GARDER LES ENFANTS, LES VÊTEMENTS ET LES MEUBLES À L'ÉCART. LE CONTACT PEUT ENTRAÎNER DES BRÛLURES DE LA PEAU.
 - NE PAS UTILISER DE PRODUITS CHIMIQUES OU DE FLUIDES POUR ALLUMER LE FEU.
 - NE PAS LAISSER LE POÊLE SANS SURVEILLANCE LORSQUE LA PORTE EST LÉGÈREMENT OUVERTE.
 - NE PAS BRÛLER DE DÉCHETS, DE LIQUIDES INFLAMMABLES TELS QUE L'ESSENCE, LE NAPHTA OU L'HUILE DE MOTEUR.
 - NE PAS BRANCHER SUR UN CONDUIT OU UN SYSTÈME DE DISTRIBUTION D'AIR.
 - FERMERZ TOUJOURS LA PORTE APRÈS LE CONTACT.



Remarque : Enregistrez votre produit en utilisant votre téléphone intelligent avec le code QR. Conservez vos reçus avec vos dossiers pour toute réclamation au titre de la garantie. Vous pouvez également enregistrer votre produit en ligne sur www.usstove.com/support/product-registration / OU en téléchargeant l'application US Stove Company disponible pour iOS et Android.

Pour le service client, veuillez appeler : 1-800-750-2723 poste 5050 ou : Texte au 423-301-5624 ou : Écrivez-nous à : customerservice@usstove.com

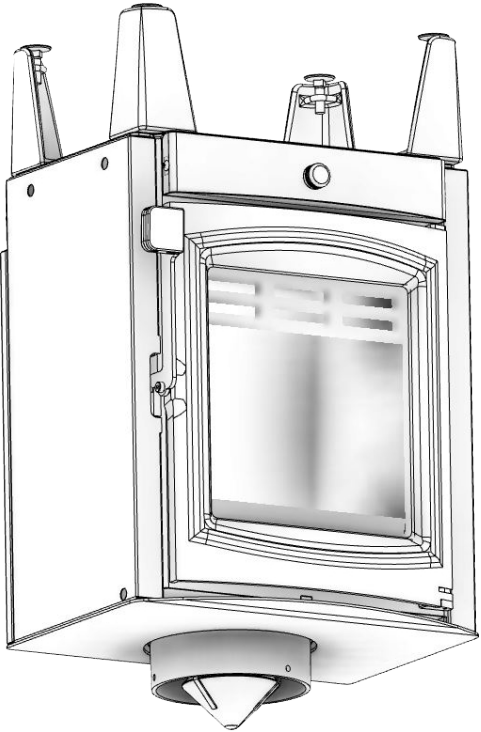
Manuel d'instruction et d'utilisation destiné au propriétaire

**UNITED STATES
STOVE CO.**
ESTD 1869

Numéro de modèle :

PFS
TH100
c
us

Numéro de rapport : F22-781
Testé selon les méthodes EPA 28R et ASTM E2515
et ASTM E2780 et CSAB415.1
Certifié selon la norme UL 1482-2022 et
ULC-S627:2023
Maisons mobiles/bâtimENTS portatifs approuvée



TOUS DROITS RÉSERVÉS
BREVET
EN INSTANCE
TOUS DROITS RÉSERVÉS

* Toutes les images contenues dans le présent manuel ne sont fournies qu'à titre d'illustration. Le produit en question peut différer de celui illustré.

Gardez les instructions dans un endroit sûr pour consultation ultérieure.



AVIS DE SÉCURITÉ : Si ce chauffage n'est pas correctement installé, un incendie résidentiel pourrait se produire. Pour votre sécurité, respectez les directives d'installation. Ne faites jamais de compromis sur la qualité pendant l'installation de ce chauffage. Contactez les responsables locaux de la construction ou des incendies pour connaître les permis, les restrictions et les exigences d'installation dans votre région. NE JAMAIS FAIRE FONCTIONNER CE PRODUIT SANS SURVEILLANCE.



AVERTISSEMENT! Veuillez lire ce manuel dans son intégralité avant d'installer ou d'utiliser votre nouveau chauffage d'appoint. Le non-respect des instructions peut entraîner des dommages matériels, des blessures corporelles, voire la mort. Une installation incorrecte annulera votre garantie!

**Agence américaine de protection
de l'environnement**

Certifié conforme aux normes d'émissions
de particules de 2020.

AVERTISSEMENT DE LA PROPOSITION



65 DE LA CALIFORNIE :
Ce produit peut vous exposer à des produits chimiques, notamment le monoxyde de carbone, qui est connu dans l'État de Californie pour provoquer des cancers, des malformations congénitales et/ou d'autres problèmes de reproduction. Pour plus d'informations, consultez le site www.P65warnings.ca.gov

CE MANUEL EST SUSCEPTIBLE D'ÊTRE MODIFIÉ SANS PRÉAVIS.