

Owner's Instruction and Operation Manual

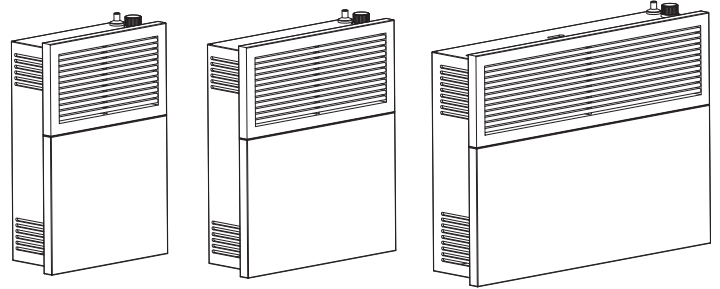
Ashley

America's Hearth Since 1905

Model Number:

DVAG11-DF, DVAG17-DF,

DVAG25-DF



Report Number: F23-193R1

Certified to ANSI STD Z21.86-2016 (R2021)
and Certified to CSA STD 2.32-2016 (R2021)

* All Pictures In This Manual Are For Illustrative Purposes Only. Actual Product May Vary.

854081-4203M

Save These Instructions In A Safe Place For Future Reference.

⚠ WARNING: If the information in these instructions is not followed exactly, a fire or explosion may result causing property damage, personal injury or loss of life.

- Do not store or use gasoline or other flammable vapors and liquids in the vicinity of this or any other appliance.
- **WHAT TO DO IF YOU SMELL GAS:**
 - Do not try to light any appliance.
 - Do not touch any electrical switch; do not use any phone in your building.
 - Immediately call your gas supplier from a neighbor's phone. Follow the gas supplier's instructions.
 - If you cannot reach your gas supplier, call the fire department.
- Installation and service must be performed by a qualified installer, service agency or the gas supplier.

*** Installation and service must be performed by a qualified installer, service agency or the gas supplier ***

Please read this manual BEFORE installing and operating this unit.

INSTALLER: Leave this manual with the appliance.

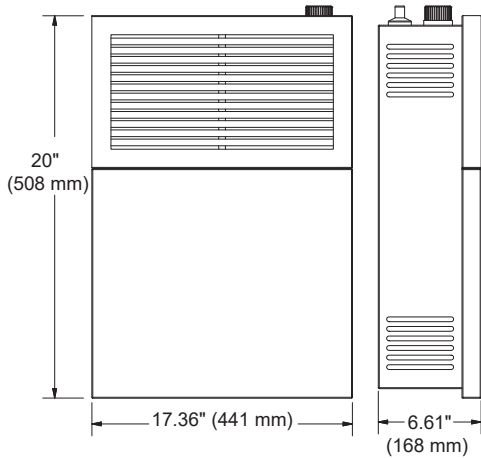
CONSUMER: Retain this manual for future reference.

⚠ CALIFORNIA PROPOSITION 65 WARNING:

This product can expose you to chemicals including carbon monoxide, which is known to the State of California to cause cancer, birth defects, and/or other reproductive harm. For more information, go to www.P65warnings.ca.gov

THIS MANUAL IS SUBJECT TO CHANGE WITHOUT NOTICE.

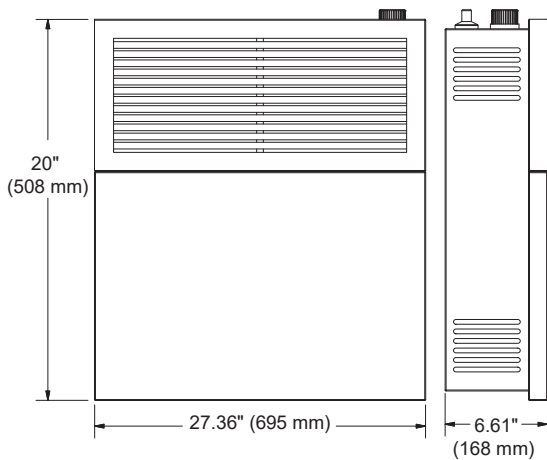
MODEL: DVAG11-DF



Height	20 (508 mm)
Width	17.36 (441 mm)
Depth	6.61 (168 mm)
Weight lbs. (kg.)	28 (12.7 kg)
Ignition	Piezo-electric ignitor
Top Orifice	#55
Bottom Orifice	#62

Figure 1

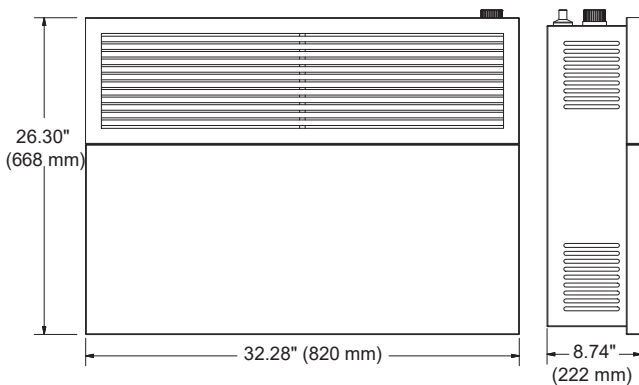
MODEL: DVAG17-DF



Height	20 (508 mm)
Width	27.36 (695 mm)
Depth	6.61 (168 mm)
Weight lbs. (kg.)	43 (19.5 kg)
Ignition	Piezo-electric ignitor
Top Orifice	#54
Bottom Orifice	#56

Figure 2

MODEL: DVAG25-DF



Height	26.30 (668 mm)
Width	32.28 (820 mm)
Depth	8.74 (222 mm)
Weight lbs. (kg.)	62.2 (28.2 kg)
Ignition	Piezo-electric ignitor
Top Orifice	#52
Bottom Orifice	#53

Figure 3

INSTALLATION CHECKLIST



Your Gas Stove should be installed by a qualified installer only. An NFI qualified Installer can be found at www.nficertified.org/public/find-an-nfi-pro/

INSTALLER CHECK LIST

This Checklist is to be completed in full by the qualified person who installs this unit. Keep this page for future reference.

Failure to install and commission according to the manufacturer's instructions and complete this checklist will invalidate the warranty.

Please Print

Verify Gas Setting (LP or NG)	<input type="checkbox"/> Propane Gas	<input type="checkbox"/> Natural Gas
Customer Name:	Telephone Number:	
Address:		
Model:		
Serial Number:		
Installation Company Name:	Phone Number:	
Installation Technician's Name:	License Number:	

DESCRIPTION OF WORK

Location of installed appliance: _____

CHECKLIST

- Confirm clearances to combustibles as per installation instructions in this manual
- Confirm the venting system is secure and sealed.....
- Confirm the stove starts and operates properly.....
- Check to ensure a CO alarm is installed as per local building codes and is functional
- Explain the safe operation, proper fuel usage, cleaning, and routine maintenance requirements

Declaration of Completion: As the qualified person responsible for the work described above, I confirm that the appliance as associated work has been installed as per manufacturer's instructions and following any applicable building and installation codes.

Signed: _____ Print Name: _____ Date: _____

Home Owner: RETAIN THIS INFORMATION FOR FUTURE REFERENCE

Installer (optional): Keep a copy for your records.



Note: Register your product by using your smart phone with the QR code. Save your receipts with your records for any warranty claims.

You can also register your product online at www.usstove.com/support/product-registration / OR by downloading the US Stove Company app available for iOS and Android.

For Customer Service, please call:
1-800-750-2723 Ext 5050 or;
Text to 423-301-5624 or;
Email us at:
customerservice@usstove.com

REQUIREMENTS FOR THE COMMONWEALTH OF MASSACHUSETTS

The following requirements reference various Massachusetts and national codes not contained in this manual. For all sidewall horizontally vented gas fueled equipment installed in every dwelling, building or structure used in whole or in part for residential purposes, including those owned or operated by the Commonwealth and where the side wall exhaust vent termination is less than (7) feet above finished grade in the area of the venting, including but not limited to decks and porches, the following requirements shall be satisfied:

INSTALLATION OF CARBON MONOXIDE DETECTORS

At time of installation of side wall horizontally vented gas fueled equipment, the installing plumber or gas-fitter shall observe that a hard wired carbon monoxide detector with an alarm and battery back-up is installed on the floor level where the gas equipment is to be installed. In addition, the installing plumber or gas-fitter shall observe that a battery operated or hard wired carbon monoxide detector is installed on each additional level of the dwelling, building or structure served by the side wall horizontal vented gas fueled equipment. It shall be the responsibility of the property owner to secure the services of qualified licensed professionals for the installation of hard wired carbon monoxide detectors. In the event that the side wall horizontally vented gas fueled equipment is installed in a crawl space or attic, the hard wired carbon monoxide detector with alarm and battery back-up may be installed on the next adjacent floor level. In the event that the requirements of this subdivision can not be met at the time of completion of installation, the owner shall have a period of thirty (30) days to comply with the above requirements; provided, however, that during said thirty (30) day period, a battery operated carbon monoxide detector with an alarm shall be installed.

APPROVED CARBON MONOXIDE DETECTORS

Each carbon monoxide detector as required in accordance with the above provisions shall comply with NFPA 720 and be ANSI/UL 2034 listed and IAS certified.

SIGNAGE

A metal or plastic identification plate shall be permanently mounted to the exterior of the building at a minimum of eight (8) feet above grade directly in line with the exhaust vent terminal for the horizontally vented gas fueled heating the appliance or equipment. The sign shall read, in print no less the one-half inch (1/2") in size, "GAS VENT DIRECTLY BELOW. KEEP CLEAR OF ALL OBSTRUCTIONS".

INSPECTION

The state or local gas inspector of the side wall horizontally vented gas fueled equipment shall not approve the installation unless, upon inspection, the inspector observes carbon monoxide detectors and signage installed in accordance with the provisions of 248 CMR 5.08 (2) (a) 1 through 4.

EXEMPTIONS

The following equipment is exempt from 248 CMR 5.08 (2) (a) 1 through 4: The equipment listed in Chapter 10 entitled "Equipment Not Required To Be Vented" in the most current edition of NFPA 54 as adopted by the Board; and Product Approved side wall horizontally vented gas fueled equipment installed in a room or structure separate from the dwelling, building or structure used in whole or in part for residential purposes.

MANUFACTURER REQUIREMENTS

Gas Equipment Venting System Provided: When the manufacturer of Product Approved side wall horizontally vented gas equipment provides a venting system design or venting system components with the equipment, the instructions provided by the manufacturer for installation of the equipment and the venting system shall include:

Detailed instructions for the installation of the venting system design or the venting system components; and a complete parts list for the venting system design or venting system.

GAS EQUIPMENT VENTING SYSTEM NOT PROVIDED

When the manufacturer of Product Approved side wall horizontally vented gas equipment does not provide the parts for venting the flue gases, but identifies "special venting systems", the following requirements shall be satisfied by the manufacturer:

The referenced “special venting systems” instructions shall be included with the appliance or equipment installation instructions and;

The “special venting systems” shall be Product Approved by the Board, and the instructions for that system shall include a parts list and detailed installation instructions.

A copy of all installation instructions for all Product Approved side wall horizontally vented gas fueled equipment, all venting instructions, all parts lists for venting instructions, and/or all venting design instructions shall remain with the appliance or equipment at the completion of the installation.

PRODUCT IDENTIFICATION

THIS GAS APPLIANCE MUST NOT BE CONNECTED TO A CHIMNEY FLUE SERVING A SEPARATE SOLID-FUEL BURNING APPLIANCE.

IMPORTANT FOR YOUR SAFETY

- **IMPROPER INSTALLATION, ADJUSTMENT, ALTERATION, SERVICE, OR MAINTENANCE CAN CAUSE PROPERTY DAMAGE, PERSONAL INJURY OR LOSS OF LIFE. REFER TO THIS MANUAL.**
- **INSTALLATION AND SERVICE MUST BE PERFORMED BY A QUALIFIED INSTALLER, SERVICE AGENCY, OR THE GAS SUPPLIER.**

DO NOT USE THIS APPLIANCE IF ANY PART HAS BEEN UNDER WATER. IMMEDIATELY CALL A QUALIFIED SERVICE TECHNICIAN TO INSPECT THE APPLIANCE AND TO REPLACE ANY PART OF THE CONTROL SYSTEM AND ANY GAS CONTROL WHICH HAS BEEN UNDER WATER.

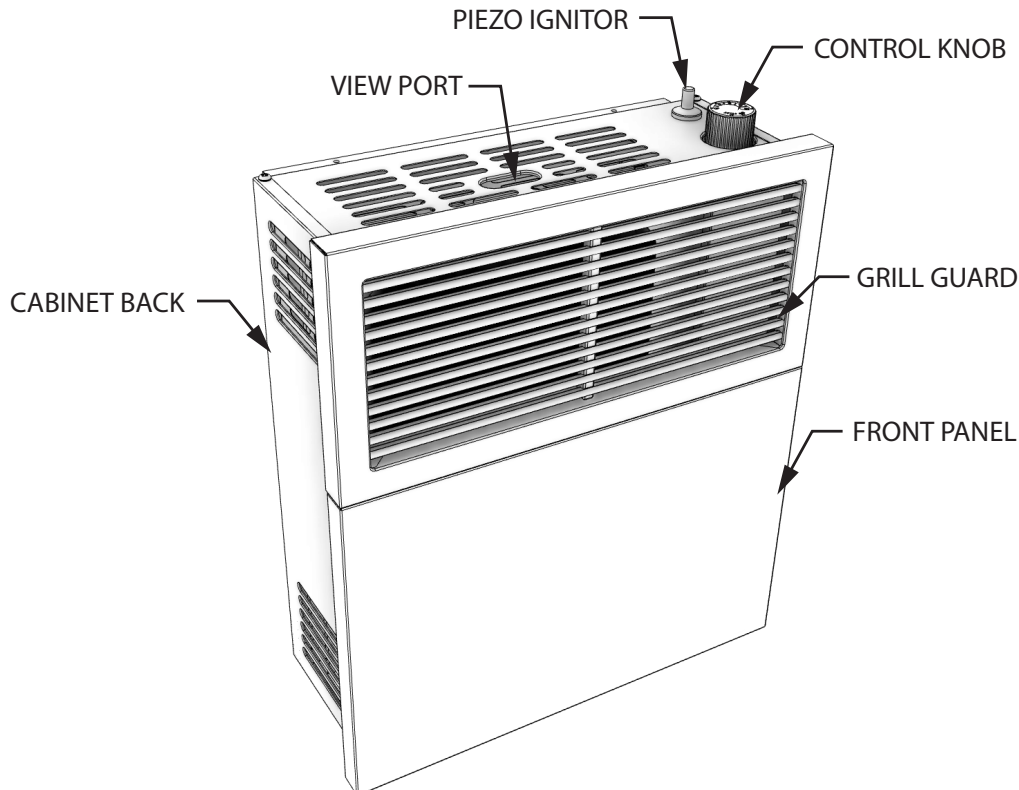


Figure 4

Model No.	Input * Btu/Hr. (kW)	Max. Gas Inlet Pressure inch W.C. (mm. W.C.)	Min. Gas Inlet Pressure inch W.C. (mm. W.C.)	Pres. Reg. Settings Manifold inch W.C. (mm. W.C.)	Valve Type
DVAG11-DF (LP)	11,000	14" (356mm)	11" (279mm)	10" (254mm)	RTZ-WK
DVAG11-DF (NG)	11,000	10.5" (267mm)	7" (178mm)	5" (127mm)	RTZ-WK
DVAG17-DF (LP)	17,500	14" (356mm)	11" (279mm)	10" (254mm)	RTZ-WK
DVAG17-DF (NG)	17,000	10.5" (267mm)	7" (178mm)	5" (127mm)	RTZ-WK
DVAG25-DF (LP)	26,000	14" (356mm)	11" (279mm)	10" (254mm)	RTZ-WK
DVAG25-DF (NG)	27,000	10.5" (267mm)	7" (178mm)	5" (127mm)	RTZ-WK

****NOTE:** Minimum Gas Inlet Pressure for purpose of input adjustment. The efficiency rating of the appliance is a product thermal efficiency rating determined under continuous operating conditions and was determined independently of any installed system.

*** Installation and service must be performed by a qualified installer, service agency or the gas supplier ***

INSTALLATION

INSTALLATION ITEMS

1. Remove all items from the carton. Remove all packing materials applied to the heater for shipment.
2. Check the heater for shipping damage. If the heater is damaged, promptly inform USSC at (800) 750-2723.

Minimum Clearance From Combustible Construction	
Rear	0.25 inches (with supplied spacers)
Sides	6 inches
Top	46 inches
Floor	6 inches

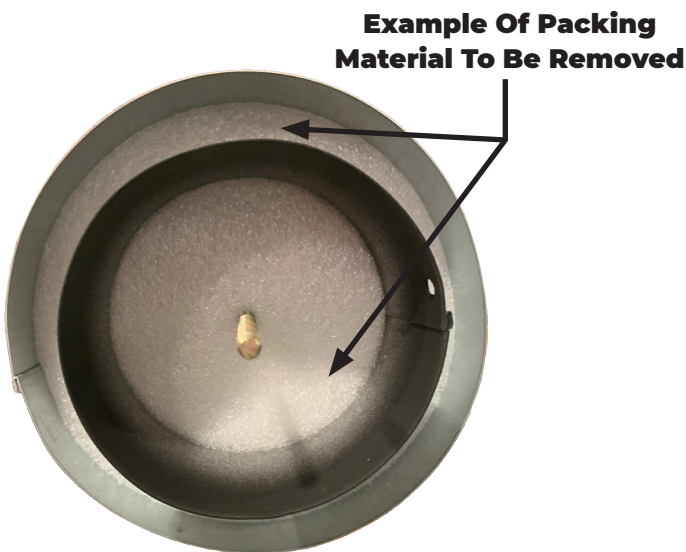


Figure 5

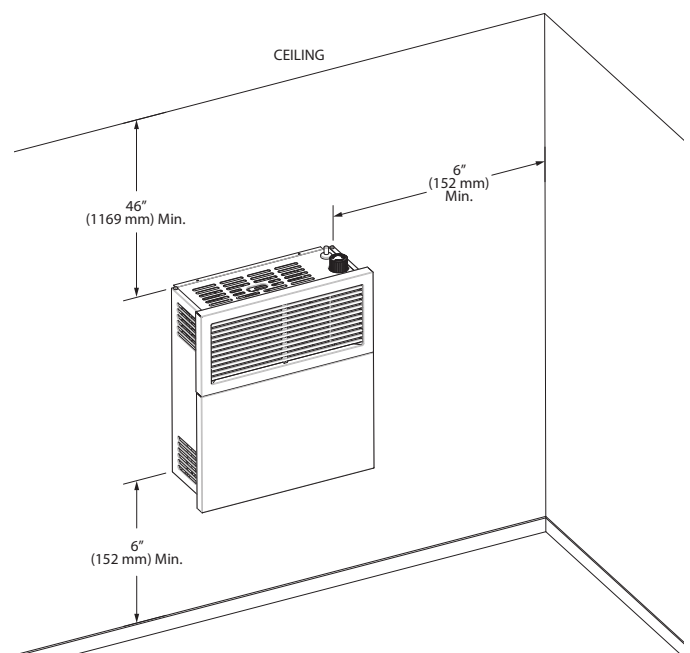


Figure 6

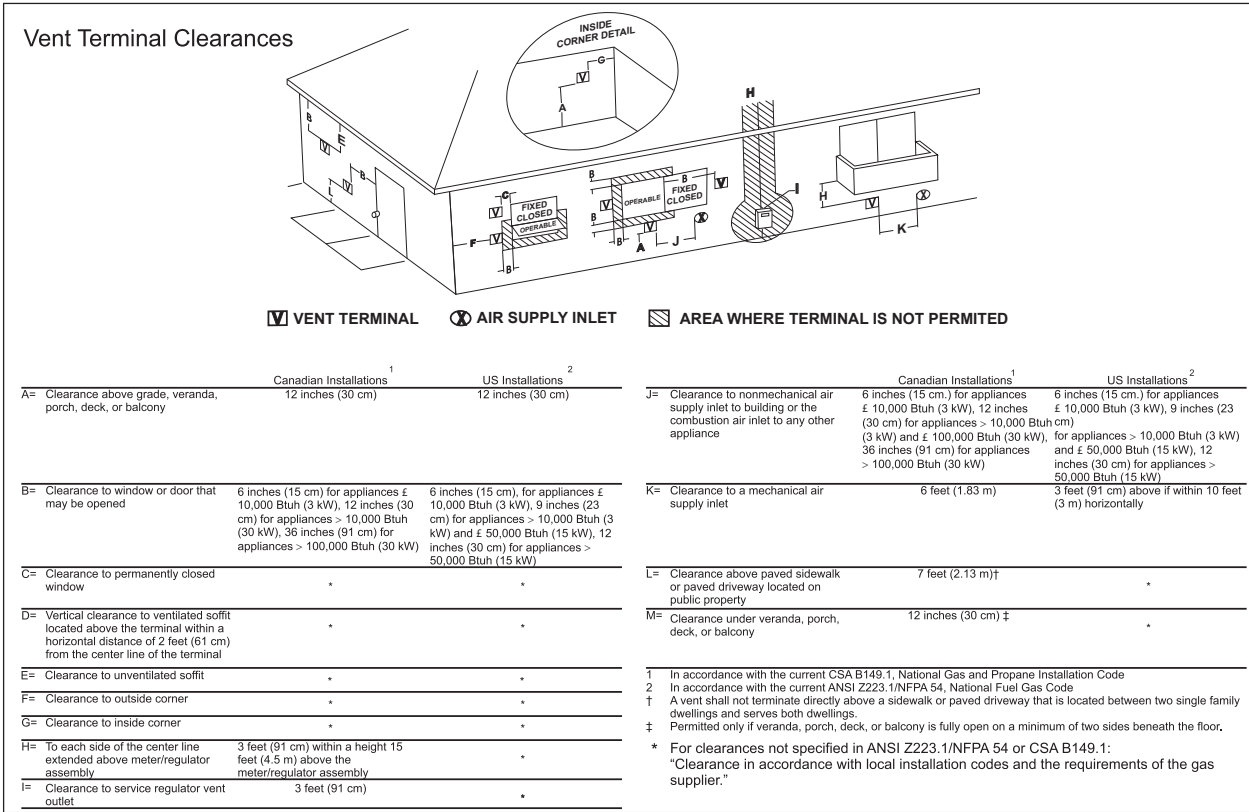


Figure 7

This appliance may be installed in an aftermarket, permanently located, manufactured home (USA only) or mobile home, where not prohibited by local codes. This appliance is only for use with the type of gas indicated on the rating plate. This appliance can be used with propane or natural gas; however, gas selection should only be done by a qualified technician.

IMPORTANT:

THIS APPLIANCE SHOULD ONLY BE INSTALLED BY A QUALIFIED INSTALLER. THE INSTALLATION MUST CONFORM WITH LOCAL CODES OR, IN THE ABSENCE OF LOCAL CODES, WITH THE NATIONAL FUEL GAS CODE, ANSI Z223.1/NFPA 54, NATURAL GAS AND PROPANE INSTALLATION CODE, CSA B149.1.

A manufactured home (USA only) or mobile home OEM installation must conform with the Manufactured Home Construction and Safety Standard, Title 24 CFR, Part 3280, or, when such standard is not applicable, the Standard for Manufactured Home Installations, ANSI Z 225.1, or Standard for Gas Equipped Recreational Vehicles and Mobile Housing, CSA Z 240.4.

IMPORTANT:

- **THE APPLIANCE AREA MUST BE KEPT CLEAR AND FREE FROM COMBUSTIBLE MATERIALS, GASOLINE, AND OTHER FLAMMABLE VAPORS AND LIQUIDS.**
- **DUE TO HIGH TEMPERATURES, THE APPLIANCE SHOULD BE LOCATED OUT OF TRAFFIC AND AWAY FROM FURNITURE AND DRAPERIES.**
- **CHILDREN AND ADULTS SHOULD BE ALERTED TO THE HAZARDS OF HIGH SURFACE TEMPERATURE AND SHOULD STAY AWAY TO AVOID BURNS OR CLOTHING IGNITION.**
- **YOUNG CHILDREN SHOULD BE CAREFULLY SUPERVISED WHEN THEY ARE IN THE SAME ROOM AS THE APPLIANCE.**
- **CLOTHING OR OTHER FLAMMABLE MATERIAL SHOULD NOT BE PLACED ON OR NEAR THE APPLIANCE.**
- **ANY SAFETY SCREEN OR GUARD REMOVED FOR SERVICING AN APPLIANCE MUST BE REPLACED PRIOR TO OPERATING THE APPLIANCE.**

IMPORTANT:

INSTALLATION AND REPAIR SHOULD BE DONE BY A QUALIFIED SERVICE PERSON. THE APPLIANCE SHOULD BE INSPECTED BEFORE USE AND AT LEAST ANNUALLY BY A QUALIFIED SERVICE PERSON. MORE FREQUENT CLEANING MAY BE REQUIRED DUE TO EXCESSIVE LINT FROM CARPETING, BEDDING MATERIAL, ETC. IT IS IMPERATIVE THAT CONTROL COMPARTMENTS, BURNERS AND CIRCULATING AIR PASSAGeways OF THE APPLIANCE BE KEPT CLEAN.

WARNING:

FAILURE TO POSITION THE PARTS IN ACCORDANCE WITH THESE DIAGRAMS, OR FAILURE TO USE ONLY PARTS SPECIFICALLY APPROVED WITH THIS APPLIANCE MAY RESULT IN PROPERTY DAMAGE OR PERSONAL INJURY.

HARDWARE PACKET CONTENTS

KEY	DESCRIPTION	ITEM	QTY
i	Medium Screw		3
ii	Large Screw		4
iii	Washer		4
iv	Spacer Washer		4
v	Rubber Grommet		2
vi	Small Screw		11

INSTALLING THE HANGING BRACKET ON A NON-COMBUSTIBLE WALL (I.E., MASONRY BLOCK OR CONCRETE)

1. Remove the required heat shield from the box and fold it as indicated in the illustration
 Note: Fold along the perforated lines and break off when installing in a 2 x 4 wall; however, if installing through a smaller pass-through wall, break off or cut to a custom size before folding. Align the holes on the heat shield with the holes on the mounting bracket and attach using the six provided small screws (vi).

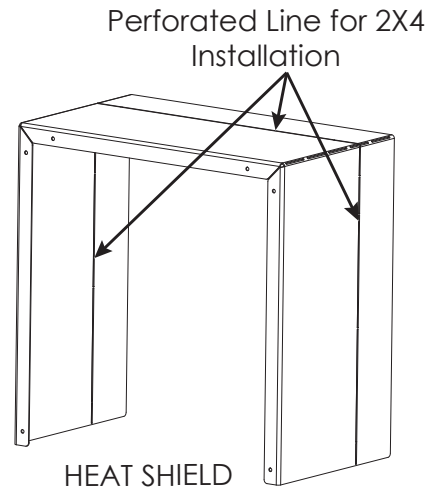


Figure 8

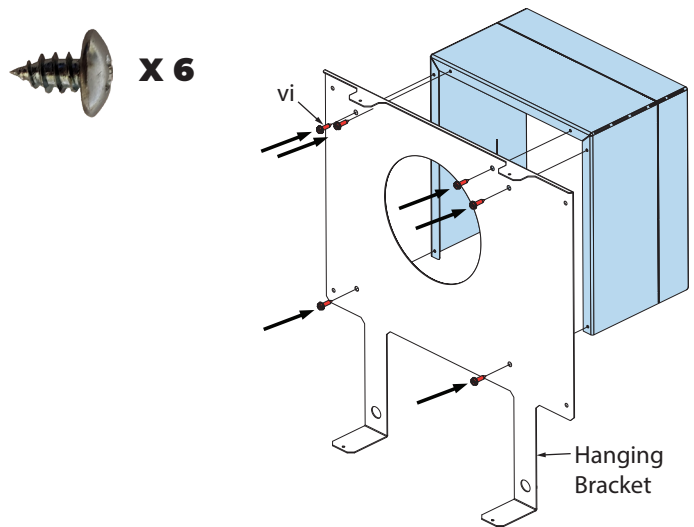


Figure 9

2. Draw the position of the hole for the air-vent intake pipe, taking into account the minimum clearances mentioned in Figure 6. See the dimensions of the square hole "D" and height to the center "C" in Table 1 and Figure 10 for the different models. Height "C" is the minimum recommended.

TABLE 1		
MODEL	C	D
DVAG11-DF	20-7/32" (514 mm)	11-1/4" X 11-1/4" (286 x 286 mm) square hole
DVAG17-DF	20" (508 mm)	
DVAG25-DF	25-7/16" (647 mm)	

3. Cut the square hole through the wall according to the measurements and positions indicated in the figure below.

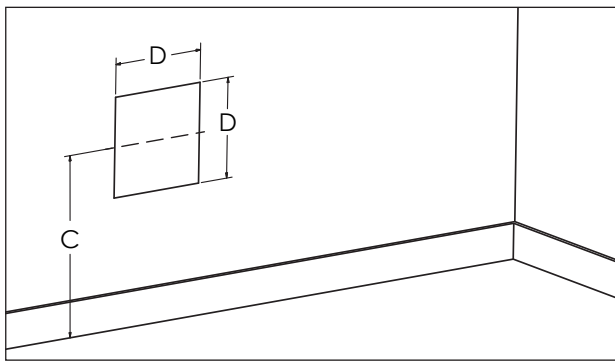


Figure 10

4. Insert the two provided rubber grommets (v) into the lower bracket.

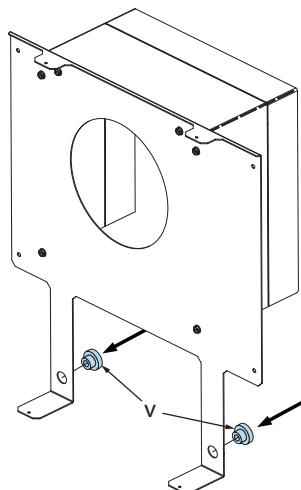
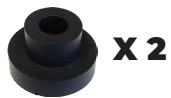


Figure 11

5. Place the hanging bracket over the square hole. Check to see if the bracket is level. After leveling the hanging bracket, mark the four holes.

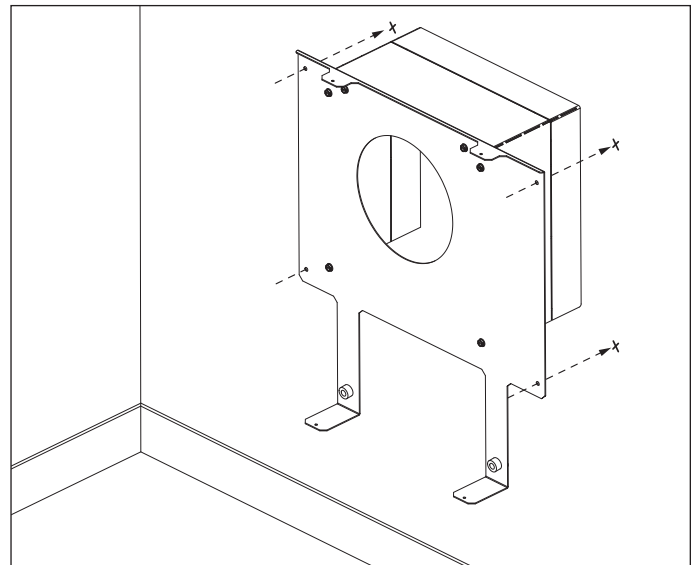


Figure 12

6. Remove the hanging bracket and drill the four holes using a masonry drill bit. **NOTE:** The masonry drill bits size must match the size of the masonry screw that will be used (masonry screws and drill bit not included).
7. Secure the hanging bracket to the wall. **IMPORTANT:** The four 1/4" spacer washers (iv) provided must be put between the bracket and the wall.

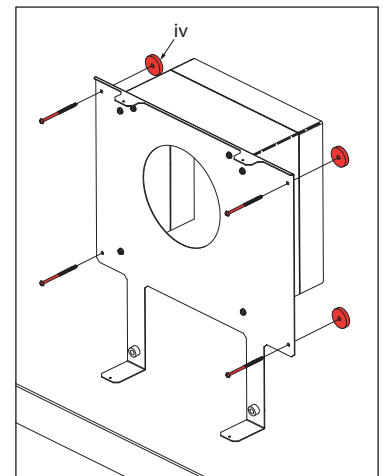
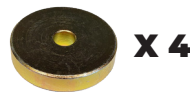


Figure 13

- Proceed to the "MOUNTING THE HEATER ONTO THE HANGING BRACKET" section of this manual.

INSTALLING THE HANGING BRACKET ON A COMBUSTIBLE WALL (I.E., DRYWALL/WOODEN WALL)

- Remove the required heat shield from the box and fold it as indicated in the illustration
Note: Fold along the perforated lines and break off when installing in a 2 x 4 wall; however, if installing through a smaller pass-through wall, break off or cut to a custom size before folding. Align the holes on the heat shield with the holes on the mounting bracket and attach using the six provided small screws (vi).

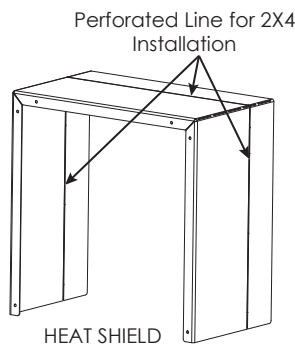


Figure 14

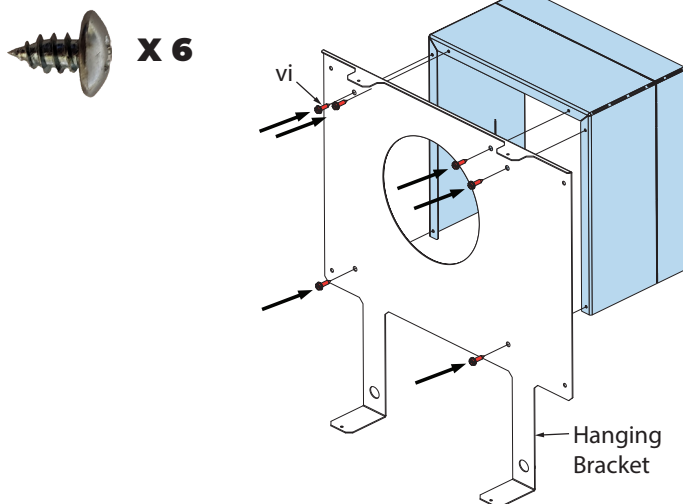


Figure 15

- Taking into account the minimum clearances mentioned in table 2, locate the closest wall stud (which will serve to hold the appliance) and mark the square hole center at a distance "A", (if the wall stud is at the right), or "B", (if the stud

is at the left)(see table 2 and Figures 16 and 17).
Note: Use the heat shield to help hold the bracket in place when marking the square hole locations.

- Cut the square hole through the wall.

TABLE 2			
A	B	C	D
DVAG11-DF			
9-1/8" (233 mm)	6-13/16" (174 mm)	20-3/16" (514 mm)	11-1/4" x 11-1/4" (286 x 286 mm) square hole
DVAG17-DF			
8" (204 mm)	8" (204 mm)	19-1/2" (495 mm)	11-1/4" x 11-1/4" (286 x 286 mm) square hole
DVAG25-DF			
8" (204 mm)	8" (204 mm)	23-3/16" (590 mm)	11-1/4" x 11-1/4" (286 x 286 mm) square hole

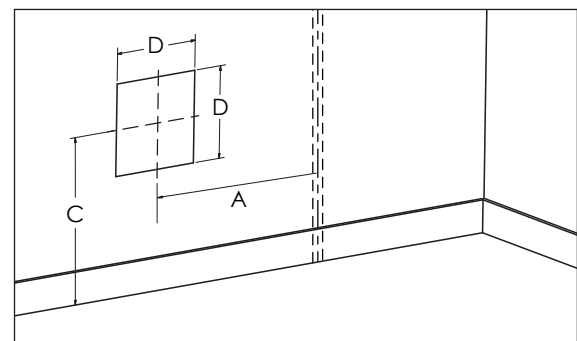


Figure 16

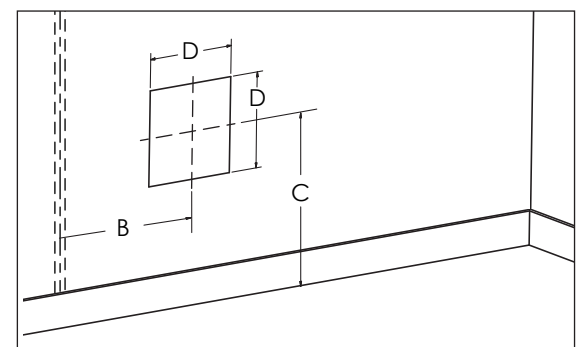


Figure 17

4. Insert the two provided rubber grommets (v) into the lower bracket as shown.

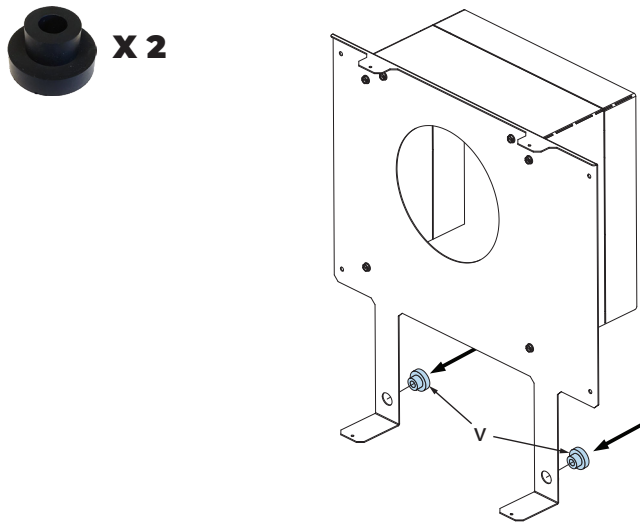


Figure 18

5. Place the wall bracket with the heat shield attached into the square hole. Check to see that the bracket is level. If not, you may have to trim the hole you cut to ensure the bracket is level when installed. After leveling the hanging bracket, mark the 4 holes as shown.

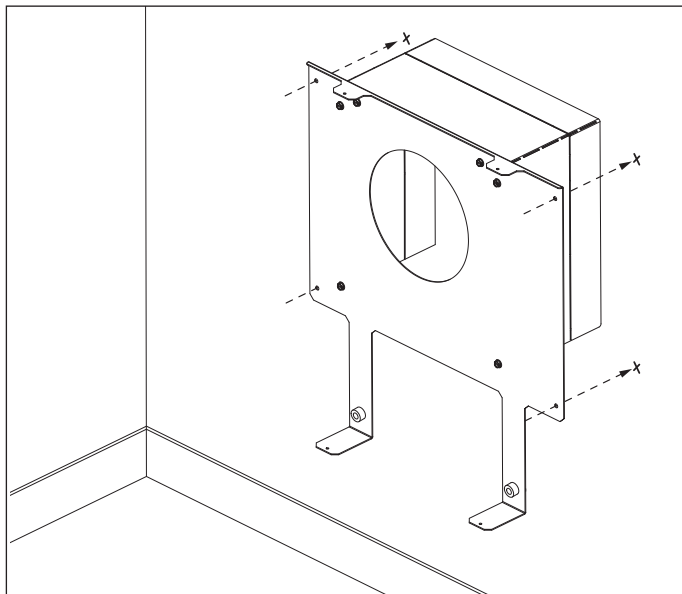


Figure 19

6. Remove the hanging bracket and drill the four holes using a 3/32" drill bit.

7. Place the hanging bracket and attach it with four screws (ii) and four washers (iii). **IMPORTANT:** The four 1/4" spacer washers (iv) provided must be put between the bracket and the wall.

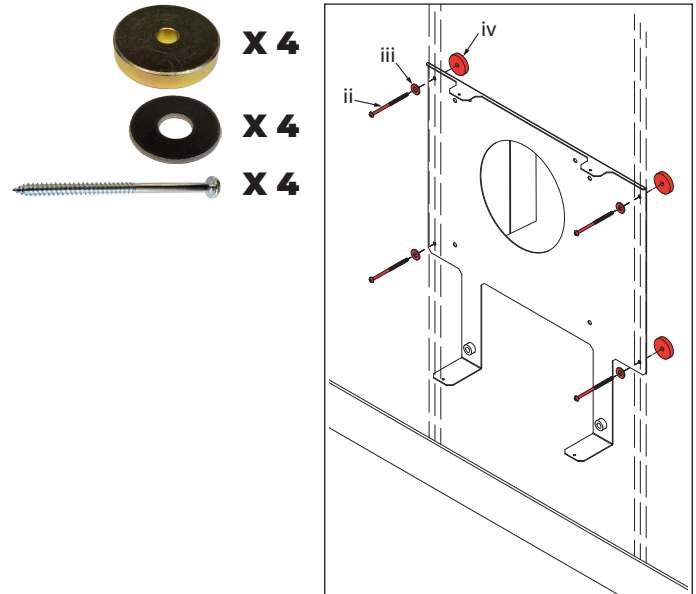


Figure 20

MOUNTING THE HEATER ONTO THE HANGING BRACKET

1. Place the heater on the hanging bracket and secure with two small screws (vi).

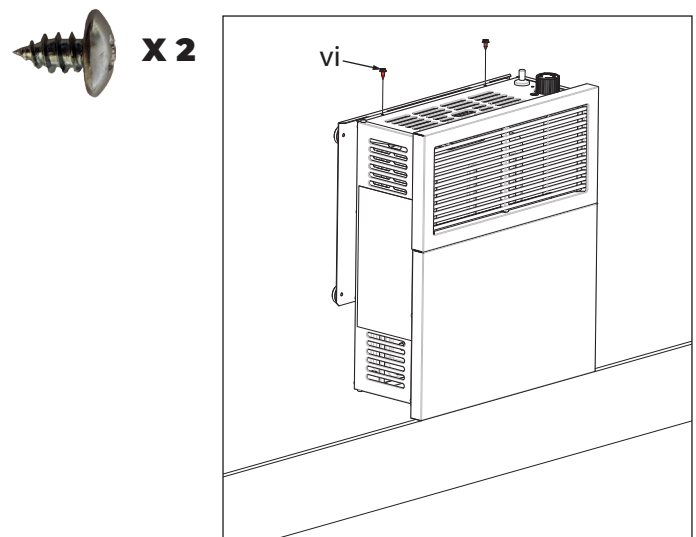


Figure 21

- Use two medium screws (i) to secure the bottom bracket to the unit.

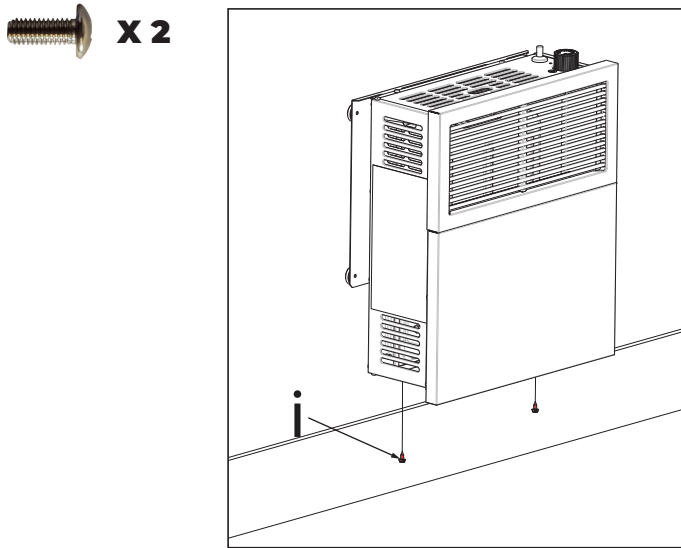


Figure 22

ATTENTION:
THE ATTACHED SET OF THREE MARKING PLATES (RATING PLATE, OPERATION INSTRUCTIONS, AND SAFETY PLATE) MUST NOT BE REMOVED FROM THE APPLIANCE AT ANY TIME.

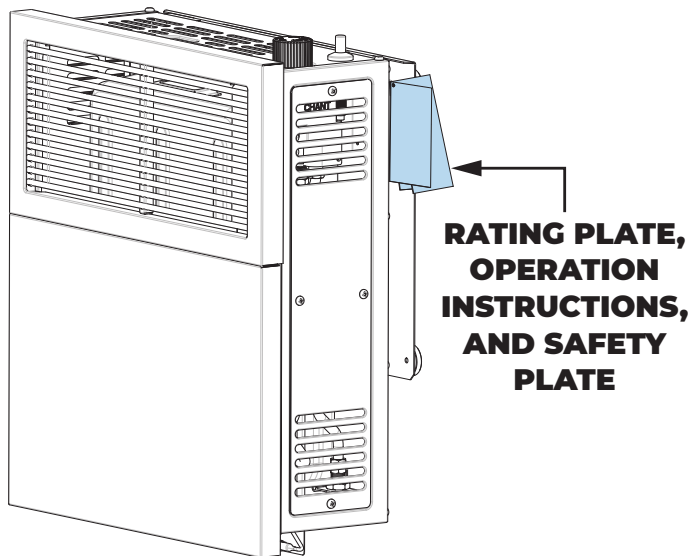


Figure 23

INSTALLING THE VENTING SYSTEM

These models of wall furnaces are designed for direct venting through a wall. Only venting components specifically approved for these furnaces may be used. The flow of combustion gases and ventilation air must not be obstructed.

IMPORTANT:
THE VENT-AIR INTAKE SYSTEM MUST BE PROPERLY INSTALLED TO ENSURE PROPER AND SAFE OPERATION. THE VENT-AIR INTAKE SYSTEM MUST ALSO BE PROPERLY RE-INSTALLED AND RESEALED TO ENSURE PROPER AND SAFE OPERATION.

WARNING:
FAILURE TO POSITION THE PARTS IN ACCORDANCE WITH THESE DIAGRAMS OR FAILURE TO USE ONLY PARTS SPECIFICALLY APPROVED WITH THIS APPLIANCE MAY RESULT IN PROPERTY DAMAGE OR PERSONAL INJURY.

IMPORTANT:
THE APPLIANCE'S VENTING SYSTEM SHOULD BE INSPECTED AT LEAST ONCE A YEAR AND IMMEDIATELY CLEANED IF NECESSARY.

CAUTION:
ALL JOINTS MUST BE AIR-TIGHT.

The venting system consists of:

Table 3 Lengths Of Pipes And Rod.		
Vent Pipe (B)	Vent-Air Intake Pipe (C)	Rod (D)
Wall Thickness + 3-3/8" (86 mm)	Wall Thickness + 2-1/2" (64 mm)	Wall Thickness + 5-7/8" (149.5 mm)

A	Vent Cap
B	Vent Pipe
C	Vent-Air Intake Pipe
D	Rod
E	Nut
F	Outdoor Mounting Plate
G	Silicon-Rubber Ring
H	Tape
i	Insulation
J	Rain Shield
K	Heat Shield

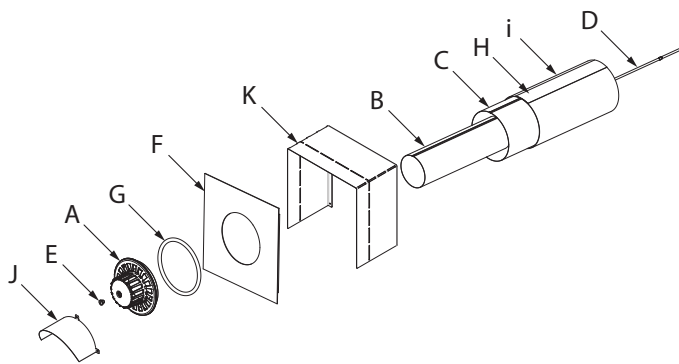


Figure 24

- The hole at the outside of the wall must be a square of 11-1/4" (286 mm) x 11-1/4" (286 mm) (see figure 27).
- Slide the heat shield (K) into the 11-1/4" (286 mm) x 11-1/4" (286 mm) square hole. Secure the heat shield (K) to the wall bracket using the appropriate hardware.
- From the outside of the wall, screw the rod (D) slightly onto support located inside the appliance flue outlet.
- Wrap the vent-air intake pipe (C) with the provided insulation (i) (foil side out) and place the provided strip of tape (H) down the seam to secure it.
- Slide the smaller vent pipe (B) (from outside your house) through the hole in the wall and attach to the mounted heater inside your house. Be sure the vent pipe is snug and engaged to the heater. Then slide the larger Vent-Air Intake Pipe, with the insulation wrapped and taped to the outside of the pipe, through the same hole and over the smaller Vent Pipe (B) and attach to the heater.

NOTE: It is critical that the insulation wrap (i) be wrapped and secured with the tape on the outside of the larger Vent-Air Intake Pipe (C). The insulation is NOT to be wrapped in between Vent Pipe (B) and Vent-Air Intake Pipe (C).

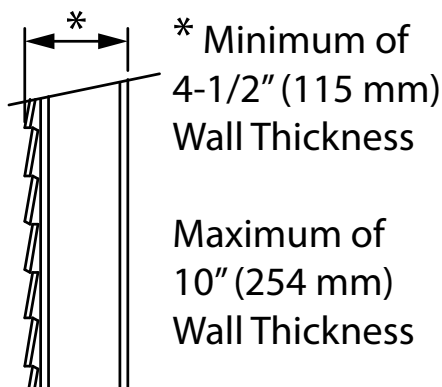


Figure 25

Measure thickness of the wall as shown in figure 25.

- If any of the following are long trim them according to thickness of the wall, (see table 3):
 - (B) vent pipe
 - (C) vent-air intake pipe
 - (i) insulation
 - (D) rod

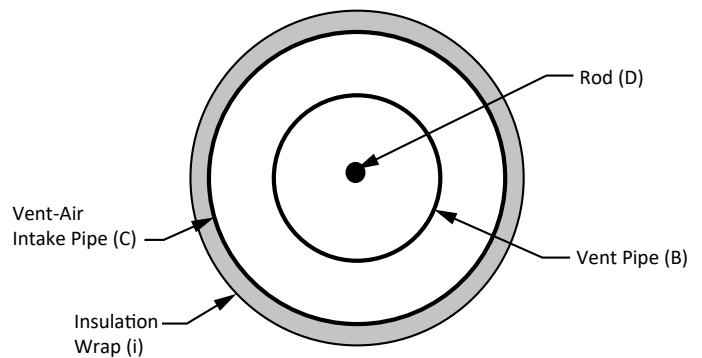


Figure 26

- The outdoor mounting plate (F) and the silicon rubber ring (G) should be installed between the vent cap (A) and the exterior wall. Note: For additional security, the outdoor mounting plate (F) can be attached to the outside of the wall using the appropriate hardware for mounting to the surface of the building. The outdoor mounting plate (F) must be positioned flush

to the wall and sealed with a non-hardening mastic (silicone caulk).

8. Before attaching the vent cap (A) to the exterior wall, run a bead of non-hardening mastic (silicone caulk) around its outside edge, so as to make a seal between it and the outdoor mounting plate (F).
9. Slide the vent cap (A) into position and secure into place using the provided nut (E). Tighten nut (E) down until the vent cap (A) leans against the outdoor mounting plate (F).

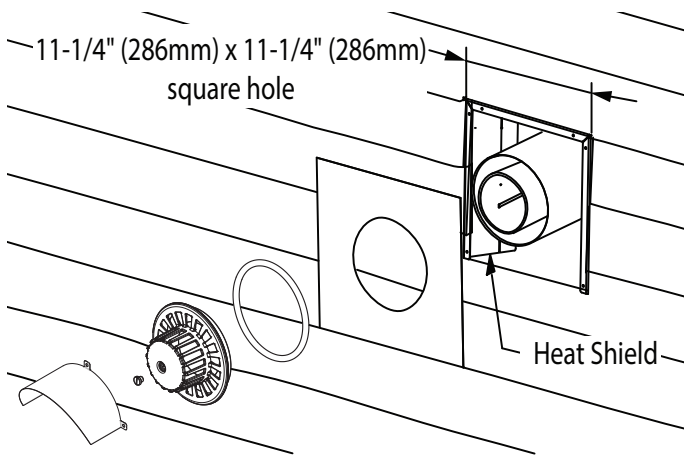


Figure 27

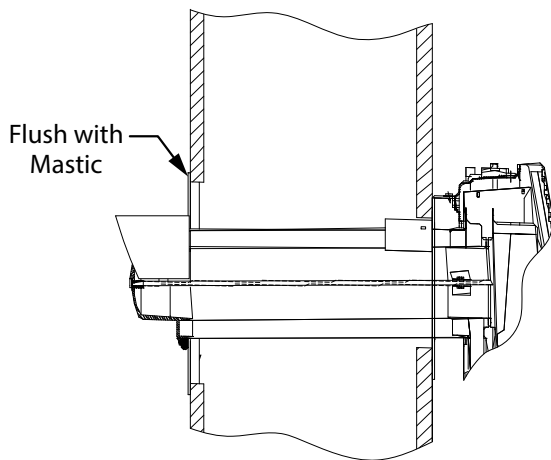


Figure 28

10. Hand-bend the rain shield (J) into a semi-circle and align it with the mounting holes located in the outdoor mounting plate (F). Secure the rain shield (J) to the outdoor mounting plate (F) using three (3) small screws (vi) included in the hardware packet.

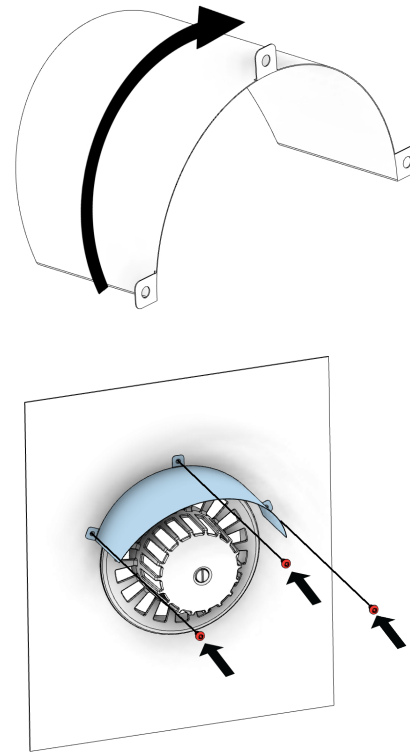


Figure 29

INSTALLING THE THERMOSTAT SENSOR

In order to protect the thermostat sensor from any damage during shipping, or while handling it before it is definitely installed, the thermostat sensor has not been attached to its final location in the appliance. So, once the heater is installed, the thermostat sensor bracket must be placed and secured in position. To do so, follow these steps:

1. Reach through the bottom of the unit and cut the cable tie holding the thermostat sensor bracket to the unit.
2. Attach the thermostat sensor bracket to the unit using the provided medium screw (i) as shown.

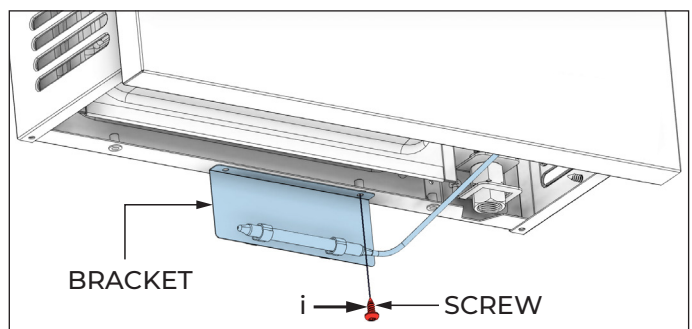


Figure 30



WARNING:
THIS APPLIANCE CAN BE USED WITH PROPANE OR NATURAL GAS. IT IS SHIPPED FROM THE FACTORY ADJUSTED FOR USE WITH PROPANE.

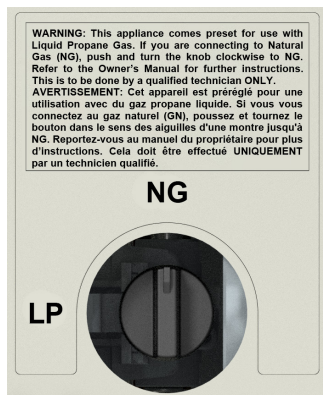
CAUTION:
THE KNOB TO THE GAS SELECTION SHALL NOT BE ACCESSED OR ADJUSTED WHILE THE APPLIANCE IS IN OPERATION

WARNING:
GAS SELECTION SHOULD ONLY BE DONE BY A QUALIFIED TECHNICIAN

SELECTOR VALVE

Note: If you are connecting this appliance to propane do not make any adjustments. Proceed to installing the gas line as instructed in the owner's manual.

If you are connecting to Natural Gas. Rotate the knob clockwise until the arrow on the knob lines up with NG label on the appliance.



GAS CONNECTION

1. We recommend using only new black iron or steel pipe. CHECK LOCAL CODES.
2. The gas supply line shall be sized and installed to provide a sufficient supply of gas to meet the maximum demand of the heater without undue loss of pressure.
3. The sealant used on the threaded joints of the gas pipe must be a type resistant to the action of L.P. Gas. (This sealant should be applied lightly to main threads to ensure excess sealant does not enter lines.)
4. The gas supply system must include a manual shut off valve and connection in the line, so the heater can be disconnected for servicing.
5. Include a drip leg (trap) and a plugged 1/8" N.P.T. tapping in the line. The tapping should be accessible for test gauge connections upstream of the gas supply connection to the heater.

IMPORTANT:
HOLD THE GAS FITTINGS OF THE APPLIANCE WITH THE PROPER TOOL WHEN CONNECTING IT TO GAS PIPING AND/OR FITTINGS.

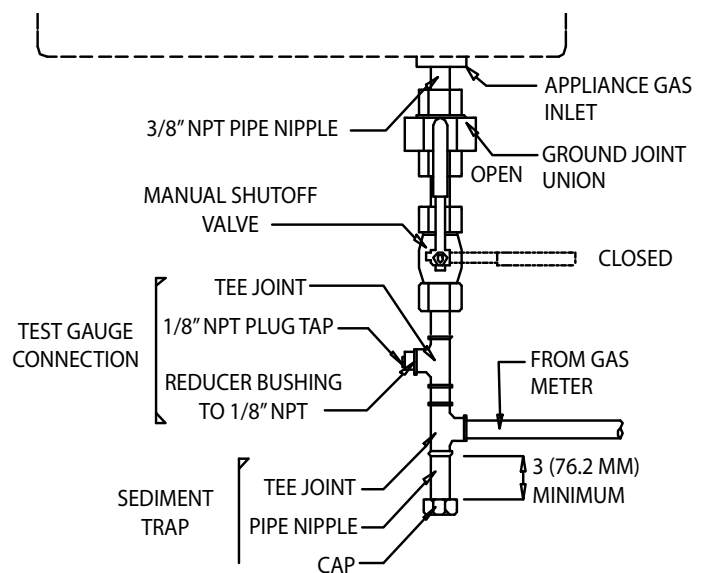


Figure 31

Inlet Pressure	
Nat. Gas	7" W.C to 10.5" W.C.
Nat. Gas	178 mm W.C. to 267 mm W.C.
L.P. Gas	11" W.C. to 14" W.C.
L.P. Gas	280 mm W.C. to 356 mm W.C.

WARNING:
<ul style="list-style-type: none"> • FOR L.P. GAS, USE PRESSURE REGULATED GAS SUPPLY. DO NOT DIRECTLY CONNECT LP SUPPLY TANK TO THE PRESSURE REGULATOR ON THE HEATER. THE LP SUPPLY TANK MUST HAVE ITS OWN SEPARATE PRESSURE REGULATOR THAT CAN REDUCE THE SUPPLY TANK GAS PRESSURE DOWN TO A MAXIMUM OF 14 INCHES (355 MM) OF WATER COLUMN PRESSURE. • ALL GAS PIPING AND CONNECTIONS MUST BE TESTED FOR LEAKS AFTER INSTALLATION OR SERVICING. ALL LEAKS MUST BE CORRECTED IMMEDIATELY.

CHECK AFTER GAS CONNECTION

1. Make sure the On/Off/Pilot control of the heater is in the "OFF" position.
2. Open the manual shut off valve. Test for leaks by applying liquid detergent to all joints. Check all joints from gas meter to thermostat gas valve. (Bubbles forming indicate a gas leak)

3. Correct any leak defect at once.

CAUTION:
NEVER USE AN OPEN FLAME TO CHECK FOR LEAKS

PRESSURE TESTING SUPPLY LINE

ATTENTION: This appliance and its appliance main gas valve must be disconnected from the gas supply piping system during any pressure testing of that system at test pressures in excess of 1/2 psi (3,5 kPa). The appliance must be isolated from the gas supply piping system by closing equipment shutoff valve during any pressure testing of the gas supply piping system at test pressures equal to or less than 1/2 psi (3,5 kPa).

HIGH ALTITUDE INSTALLATIONS

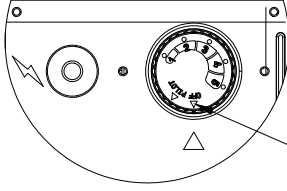
This appliance may be installed at higher altitudes. Please refer to National Fuel Gas Code ANSI Z223.1/ NFPA 54, CSA-B149.1 Natural Gas and Propane Installation Code, local authorities, or codes having jurisdiction in your area regarding derate guidelines. Per the above reference codes, for elevations above 2000 ft , (4,500 ft (1,372 m) in Canada) input ratings are to be reduced by 4% for each 1,000 ft (305 m).

WARNING:

IF YOU DO NOT FOLLOW THESE INSTRUCTIONS EXACTLY, A FIRE EXPLOSION MAY RESULT CAUSING PROPERTY DAMAGE, PERSONAL INJURY OR LOSS OF LIFE.

LIGHTING INSTRUCTIONS

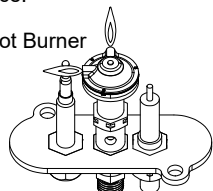
1. STOP! Read the safety information on the attached plate.
2. Check that gas supply to heater is on.
3. Set the thermostat to the lowest setting. (If applicable).
4. Push in gas control knob slightly and turn clockwise ↻ to "OFF" position. Do not force.



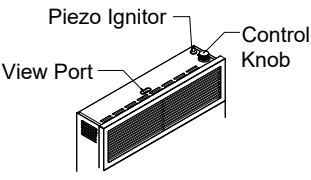
POSITION INDICATOR

NOTE: Knob cannot be turned from "PILOT" to "OFF" unless knob is pushed in slightly. Do not force.

5. Wait five (5) minutes to clear out any gas. If you then smell gas, STOP! Follow "B" in the safety information above this label. If you don't smell gas, go to the next step.
6. Find pilot. The pilot can be seen through the view port on the top of the appliance.



Pilot Burner



Piezo Ignitor
View Port
Control Knob

7. Turn gas control knob counterclockwise ↻ to "Pilot". Keep control knob depressed and repeatedly push the piezo button. This should cause the spark from the ignitor to light the pilot gas. Keep control knob depressed for ten (10) seconds before releasing. If Pilot does not light, repeat step 6. NOTE: It may be necessary to press for thirty (30) seconds if this is first time heater is connected to the gas supply. If the knob does not pop up when released, stop and immediately call your service technician or gas supplier. If the pilot will not stay lit after several tries, turn the gas control knob to "OFF" and call your service technician or gas supplier.
8. When pilot is lit, turn the control knob counterclockwise ↻ to desired heating level.
9. Set thermostat to desired setting. (If applicable).

TO TURN OFF GAS TO APPLIANCE

1. Set thermostat to lowest setting. (If applicable).
2. Turn control knob clockwise ↻ to the "OFF" position. Do not Force.

CAUTION: Wait five (5) minutes before re-lighting heater.

853265D

Figure 32

CAUTION:

DO NOT TRY TO ADJUST HEATING LEVELS BY USING THE MANUAL SHUTOFF VALVE.

IMPORTANT:

- **DO NOT DRY CLOTHES OVER THE HEATER.**
- **DO NOT SPRAY ANY AEROSOL NEAR THE HEATER WHEN FUNCTIONING. DO NOT STORE THESE ELEMENTS NEAR THE APPLIANCE.**
- **DO NOT TOUCH GRILL TO AVOID BURNS.**
- **AVOID BLOCKING AIR INLET AND HOT AIR OUTLET.**
- **DO NOT SPILL WATER OVER THE HEATER AS IT MAY CAUSE CORROSION OR DAMAGE.**
- **DO NOT TOUCH VENT CAP WHILE HEATER IS OPERATING, TO AVOID BURNS.**
- **IF YOU SMELL GAS, SHUT OFF CONTROL VALVE, OPEN DOORS AND WINDOWS AND DO NOT LIGHT ANY ELECTRICAL FIXTURE NEAR THE HEATER. CALL YOUR GAS SUPPLIER.**

NOTE: It is normal for the new wall furnace to give some odor the first time it is burned. This is due to the curing of the paint and any undetected oil from the manufacturing process. It is recommended to burn a new wall furnace for at least two (2) hours the first time that it is used.

- Vent Cap - Use a vacuum cleaner or pressurized air to clean.
- Pilot and Burner - Periodically visually check the pilot and burner flames (view flames through the view port). The correct flame pattern should be viewed by looking through the view port on top of the unit.

CAUTION:

YOU MUST KEEP CONTROL AREAS AND CIRCULATING AIR PASSAGeways OF HEATER CLEAN. INSPECT THESE AREAS OF HEATER BEFORE EACH USE. HAVE HEATER INSPECTED YEARLY BY A QUALIFIED SERVICE PERSON. HEATER MAY NEED MORE FREQUENT CLEANING DUE TO EXCESSIVE LINT FROM CARPETING, BEDDING MATERIAL, ETC. VERIFY PROPER OPERATION AFTER SERVICING.

ATTENTION:

VERIFY PROPER OPERATION AFTER SERVICING

*** Installation and service must be performed by a qualified installer, service agency or the gas supplier ***

CLEANING & MAINTENANCE

CAUTION:

ALLOW ADEQUATE COOLING TIME BEFORE CLEANING OR SERVICING THIS UNIT. AVOID CONTACT WITH THIS UNIT DURING OPERATION OR WHILE COOLING.

- Exterior - Use a soft cloth dampened with a mild soap and water mixture. Wipe the cabinet to remove dust.
- Air Passageways - Use a vacuum cleaner or pressurized air to clean.

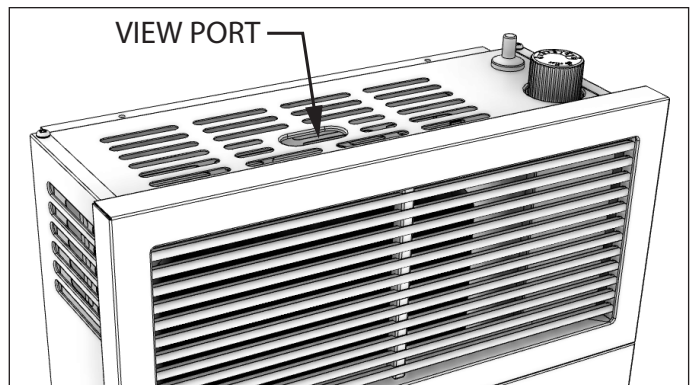


Figure 33

The correct flame pattern of the pilot is shown.

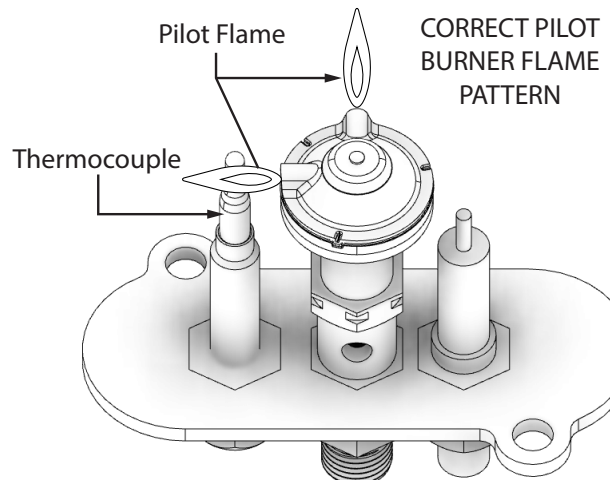


Figure 34

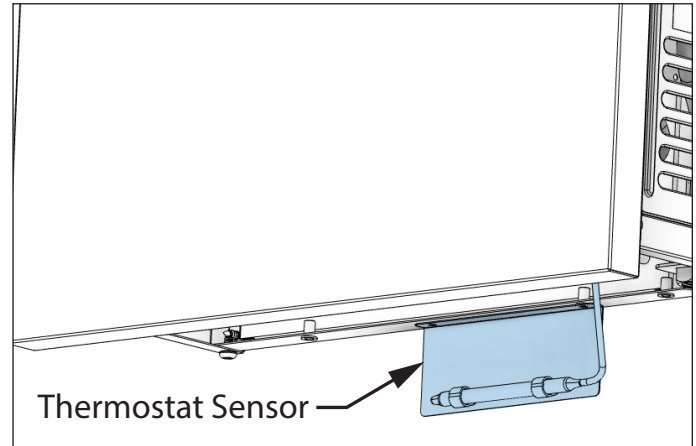
CLEANING THE MAIN BURNER ORIFICE & MAIN BURNER

CAUTION:
THESE INSTRUCTIONS ARE INTENDED FOR QUALIFIED TECHNICIANS OR SERVICE PERSONS ONLY.

1. Turn OFF gas supply to the heater.
2. Remove casing assembly.
3. Disconnect burner tubing and remove orifice holder.
4. Apply compressed air to the orifice holder assembly to remove dust, lint or spider webs.
5. Apply compressed air through the hole on the combustion chamber wall where the orifice holder was originally located to remove dust, lint or spider webs.
6. As parts are being replaced in reverse order, check for gas leaks at all gas connections before replacing the casing assembly.

THERMOSTAT SENSOR

This unit is equipped with a thermostat sensor that automatically adjusts the heater when the room temperature reaches a certain level. As a result, the heater will power down while the pilot light remains on.



HOW TO ORDER REPAIR PARTS

For Parts Assistance Call: 800-750-2723 Ext 5051 or Email: parts@usstove.com

The information in this owner's manual is specific to your unit. When ordering replacement parts the information in this manual will help to ensure the correct items are ordered. Before contacting customer service write down the model number and the serial number of this unit. That information can be found on the certification label attached to the unit. Other information that may be needed would be the part number and part description of the item(s) in question. Part numbers and descriptions can be found in the "Repair Parts" section of this manual. Once this information has been gathered you can contact customer service by phone 1-800-750-2723 Ext 5051 or Email parts@usstove.com.

Model Information	
Model Number	
Serial Number	

WARNING:

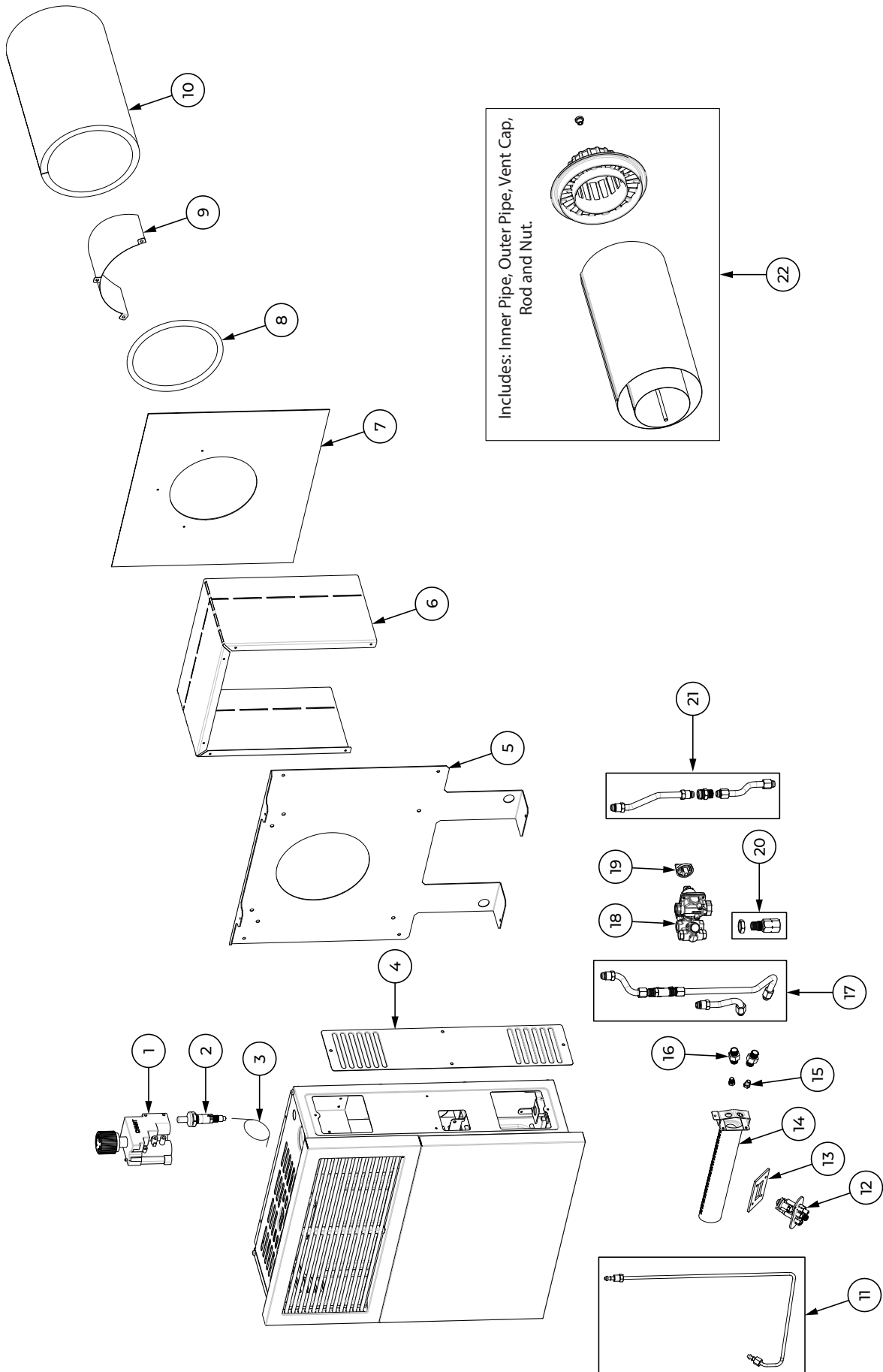
TURN OFF HEATER AND LET COOL BEFORE SERVICING. ONLY A QUALIFIED SERVICE PERSON SHOULD SERVICE AND REPAIR HEATER.

PROBLEM	POSSIBLE CAUSE	REMEDY
When ignitor button is pressed, there is no spark at pilot.	Ignitor electrode broken.	Replace ignitor electrode.
	Ignitor electrode or piezo igniter not connected to ignitor cable.	Reconnect ignitor cable or piezo igniter.
	Ignitor cable pinched or wet.	Free ignitor cable if pinched by any metal or tubing. Keep ignitor cable dry.
	Broken ignitor cable.	Replace ignitor cable.
	Bad piezo ignitor.	Replace piezo ignitor.
When ignitor button is pressed, there is spark at pilot but no ignition.	Gas supply is turned off or manual shutoff valve closed.	Turn on gas supply or open manual shutoff valve.
	Control knob not in PILOT position.	Turn the control knob to the proper PILOT position.
	The control knob is not fully pressed in while in the pilot	Press the control knob in fully while in the PILOT position.
	Air in gas lines when installed.	Continue holding down control knob. Repeat igniting operation until air is removed.
	Pilot is clogged.	Clean pilot orifice or replace pilot assembly.
Pilot lights but flame goes out when control knob is released.	Control knob not fully pressed in.	Press in control knob fully.
	Control knob not depressed long enough.	After pilot lights, keep control knob pressed in 30 seconds.
	Manual shutoff valve not fully open.	Fully open manual shutoff valve.
	Thermocouple connection or pilot gas line loose at control valve.	Hand tighten until snug, then tighten 1/4 turn more.
	Pilot flame not touching thermocouple, which allows thermocouple to cool, causing pilot flame to go out. This problem could be caused by one or both of the following: Low gas pressure. Dirty or partially clogged pilot.	Contact local gas company. Clean pilot or replace pilot assembly.
	Thermocouple damaged.	Replace pilot assembly.
	Control valve damaged.	Replace control valve.

PROBLEM	POSSIBLE CAUSE	REMEDY
Burner does not light after pilot is lit.	Burner orifice is clogged.	Clean burner orifice or replace burner orifice.
	Inlet gas pressure is too low.	Contact local Gas Company.
Slight smoke or odor during initial operation.	Residues from manufacturing processes.	It is normal for the new wall furnace to give some odor the first time it is burned. This is due to the curing of the paint and any undetected oil from the manufacturing process. It is recommended to burn a new wall furnace for at least two (2) hours the first time that it is used.
	Dust accumulation from non-use will cause a slight odor when turned back on.	It is normal for the unit to give some odor the first time it is burned after it has not been used for an extended period.
Heater produces a clicking/ticking noise just after burner is lit or shut off.	Metal expanding while heating or contracting while cooling.	This is common with most heaters. If noise is excessive, contact qualified service person.
Heater shuts off in use.	Contact customer service	Contact customer service if pilot light goes out also.
Gas odor even when control knob is in OFF position.	Gas leak. See WARNING statement below.	Exit your home immediately and call your gas supplier from a neighbor's phone. Follow the gas supplier's instructions. Replace the control valve.
	Control valve defective.	

WARNING IF YOU SMELL GAS:

- **SHUT OFF GAS SUPPLY.**
- **DO NOT TRY TO LIGHT ANY APPLIANCE**
- **DO NOT TOUCH ANY ELECTRICAL SWITCH, DO NOT USE ANY PHONE IN YOUR BUILDING.**
- **IMMEDIATELY CALL YOUR GAS SUPPLIER FROM A NEIGHBOR'S PHONE. FOLLOW THE GAS SUPPLIER'S INSTRUCTIONS.**
- **IF YOU CANNOT REACH YOUR GAS SUPPLIER, CALL THE FIRE DEPARTMENT.**



REPLACEMENT PARTS

Key	Part #	Description	
1	81387	Control Valve	DVAG11-DF
	81388		DVAG17-DF
	81389		DVAG25-DF
2	80808	Piezo w/Nut	
3	80936	Piezo Wire	DVAG11-DF
	80937		DVAG17-DF, DVAG25-DF
4	894096	Access Door	DVAG11-DF, DVAG17-DF
	894099		DVAG25-DF
5	894057	Wall Bracket	DVAG11-DF
	894058		DVAG17-DF
	894100		DVAG25-DF
6	28994	Shield	
7	894059	Outside Cover Flashing	DVAG11-DF
	894060		DVAG17-DF, DVAG25-DF
8	88333	Silicone Vent Seal	DVAG11-DF
	88334		DVAG17-DF, DVAG25-DF
9	894008	Rain Shield	DVAG11-DF, DVAG17-DF
	894103		DVAG25-DF
10	88312	Exhaust Blanket	
11	81399	Pilot Tube	DVAG11-DF
	81400		DVAG17-DF
	81401		DVAG25-DF
12	81393	Pilot Assy., Dual Fuel (0.38mm)	

Key	Part #	Description	
13	88346	Pilot Gasket	
14	81394	Burner	DVAG11-DF
	81395		DVAG17-DF
	81396		DVAG25-DF
15	81398	Orifice (blank)	
16	81397	Orifice Fitting	
17	81402	Tube Set, Burner	DVAG11-DF, DVAG17-DF
	81405		DVAG25-DF
18	81390	Gas Switch / Regulator	DVAG11-DF
	81391		DVAG17-DF
	81392		DVAG25-DF
19	894061	Knob, Fuel Switch	
20	81404	Fitting, Gas Inlet	
21	81403	Tube Set, Gas Inlet	DVAG11-DF, DVAG17-DF
	81406		DVAG25-DF
22	893236	Vent Pipe Kit (Includes inner/ outer pipe, vent cap, hardware)	DVAG11-DF
	893237		DVAG17-DF
	893238		DVAG25-DF
24	83990	Hardware Kit (not shown)	

To order parts:
 Call 1-800-750-2723 Ext 5051 or
 Email to: parts@usstove.com

IN ORDER TO MAINTAIN WARRANTY, COMPONENTS MUST BE REPLACED USING ORIGINAL MANUFACTURERS PARTS PURCHASED THROUGH YOUR DEALER OR DIRECTLY FROM THE APPLIANCE MANUFACTURER. USE OF THIRD PARTY COMPONENTS WILL VOID THE WARRANTY.

It is recommended that your heating system is serviced regularly and that the appropriate Service Interval Record is completed.

SERVICE PROVIDER

Before completing the appropriate Service Record below, please ensure you have carried out the service as described in the manufacturer's instructions. Always use the manufacturer's specified spare part when replacement is necessary.

Service 01	Date: _____
Engineer Name: _____	
License No.: _____	
Company: _____	
Telephone No.: _____	
Stove Inspected: <input type="checkbox"/>	Chimney Swept: <input type="checkbox"/>
Items Replaced: _____	

Service 02	Date: _____
Engineer Name: _____	
License No.: _____	
Company: _____	
Telephone No.: _____	
Stove Inspected: <input type="checkbox"/>	Chimney Swept: <input type="checkbox"/>
Items Replaced: _____	

Service 03	Date: _____
Engineer Name: _____	
License No.: _____	
Company: _____	
Telephone No.: _____	
Stove Inspected: <input type="checkbox"/>	Chimney Swept: <input type="checkbox"/>
Items Replaced: _____	

Service 04	Date: _____
Engineer Name: _____	
License No.: _____	
Company: _____	
Telephone No.: _____	
Stove Inspected: <input type="checkbox"/>	Chimney Swept: <input type="checkbox"/>
Items Replaced: _____	

Service 05	Date: _____
Engineer Name: _____	
License No.: _____	
Company: _____	
Telephone No.: _____	
Stove Inspected: <input type="checkbox"/>	Chimney Swept: <input type="checkbox"/>
Items Replaced: _____	

Service 06	Date: _____
Engineer Name: _____	
License No.: _____	
Company: _____	
Telephone No.: _____	
Stove Inspected: <input type="checkbox"/>	Chimney Swept: <input type="checkbox"/>
Items Replaced: _____	

Service 07	Date: _____
Engineer Name: _____	
License No.: _____	
Company: _____	
Telephone No.: _____	
Stove Inspected: <input type="checkbox"/>	Chimney Swept: <input type="checkbox"/>
Items Replaced: _____	

Service 08	Date: _____
Engineer Name: _____	
License No.: _____	
Company: _____	
Telephone No.: _____	
Stove Inspected: <input type="checkbox"/>	Chimney Swept: <input type="checkbox"/>
Items Replaced: _____	

Il est recommandé que votre système de chauffage est desservi régulièrement et que le Service Interval enregistré approprié est terminée.

FURNISSEUR DE SERVICES

Avant de terminer l'enregistrement de service approprié ci-dessous, s'il vous plaît vous assurer que vous avez effectué le service tel que décrit dans les instructions du fabricant. Toujours utiliser pièce de rechange indiquée par le fabricant lors de remplacement est nécessaire.

_____	Service de 01
_____	Date: _____
_____	Nom de l'ingénieur: _____
_____	N° de licence: _____
_____	Compagnie: _____
_____	N° de téléphone: _____
_____	Poêle Inspecté: <input type="checkbox"/> Cheminée balayée: <input type="checkbox"/>
_____	Articles Remplacé: _____

_____	Service de 02
_____	Date: _____
_____	Nom de l'ingénieur: _____
_____	N° de licence: _____
_____	Compagnie: _____
_____	N° de téléphone: _____
_____	Poêle Inspecté: <input type="checkbox"/> Cheminée balayée: <input type="checkbox"/>
_____	Articles Remplacé: _____

_____	Service de 03
_____	Date: _____
_____	Nom de l'ingénieur: _____
_____	N° de licence: _____
_____	Compagnie: _____
_____	N° de téléphone: _____
_____	Poêle Inspecté: <input type="checkbox"/> Cheminée balayée: <input type="checkbox"/>
_____	Articles Remplacé: _____

_____	Service de 04
_____	Date: _____
_____	Nom de l'ingénieur: _____
_____	N° de licence: _____
_____	Compagnie: _____
_____	N° de téléphone: _____
_____	Poêle Inspecté: <input type="checkbox"/> Cheminée balayée: <input type="checkbox"/>
_____	Articles Remplacé: _____

_____	Service de 05
_____	Date: _____
_____	Nom de l'ingénieur: _____
_____	N° de licence: _____
_____	Compagnie: _____
_____	N° de téléphone: _____
_____	Poêle Inspecté: <input type="checkbox"/> Cheminée balayée: <input type="checkbox"/>
_____	Articles Remplacé: _____

_____	Service de 06
_____	Date: _____
_____	Nom de l'ingénieur: _____
_____	N° de licence: _____
_____	Compagnie: _____
_____	N° de téléphone: _____
_____	Poêle Inspecté: <input type="checkbox"/> Cheminée balayée: <input type="checkbox"/>
_____	Articles Remplacé: _____

_____	Service de 07
_____	Date: _____
_____	Nom de l'ingénieur: _____
_____	N° de licence: _____
_____	Compagnie: _____
_____	N° de téléphone: _____
_____	Poêle Inspecté: <input type="checkbox"/> Cheminée balayée: <input type="checkbox"/>
_____	Articles Remplacé: _____

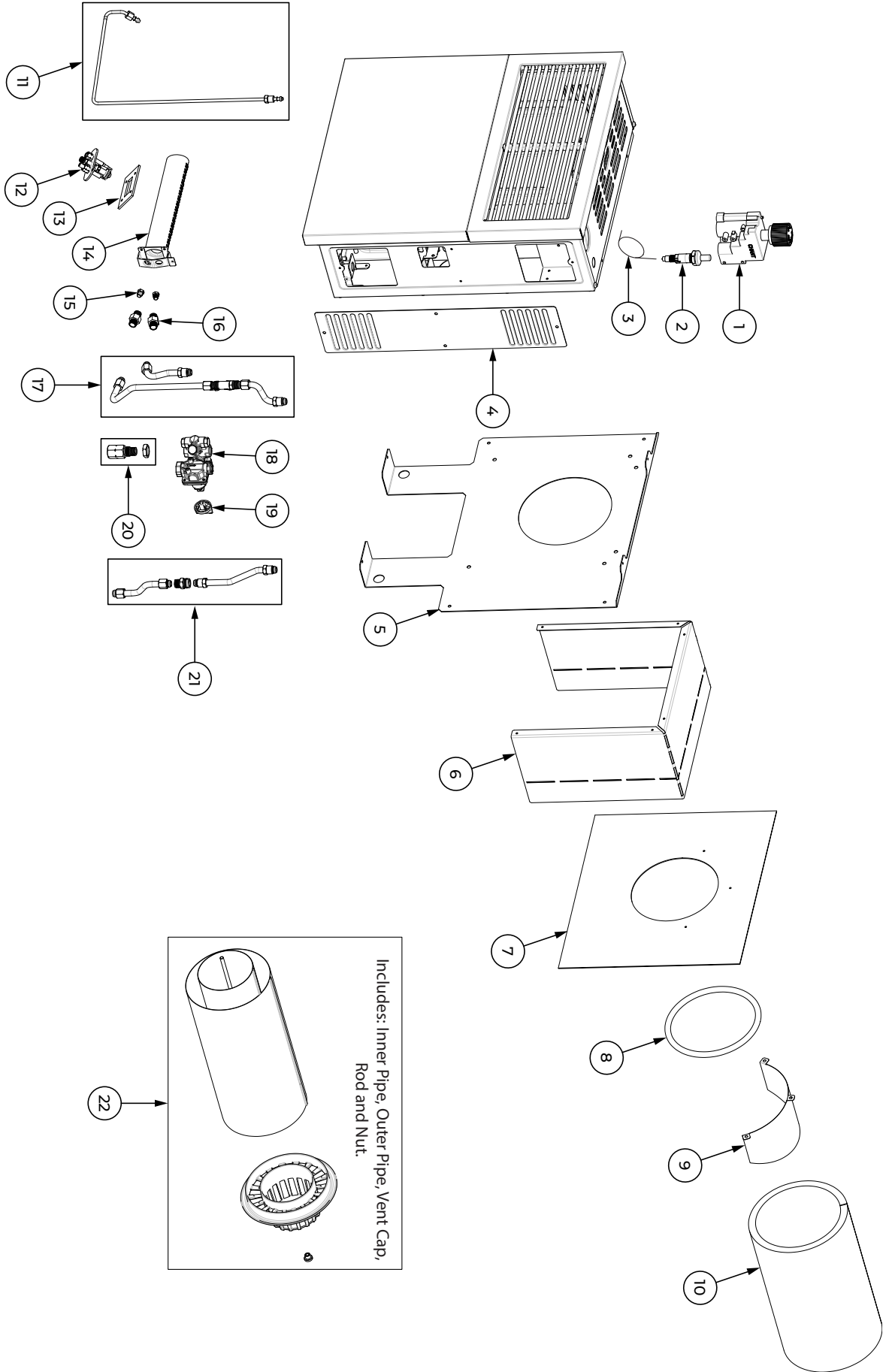
_____	Service de 08
_____	Date: _____
_____	Nom de l'ingénieur: _____
_____	N° de licence: _____
_____	Compagnie: _____
_____	N° de téléphone: _____
_____	Poêle Inspecté: <input type="checkbox"/> Cheminée balayée: <input type="checkbox"/>
_____	Articles Remplacé: _____

Clé	Partie #	Description
1	81387	DVAG11-DF
	81388	DVAG17-DF
	81389	DVAG25-DF
2	80808	Piezo avec écrou
	80936	DVAG11-DF
3	80937	DVAG17-DF, DVAG25-DF
	894096	DVAG11-DF, DVAG17-DF
4	894099	DVAG25-DF
	894057	DVAG11-DF
	894058	DVAG17-DF
5	894100	DVAG25-DF
	28994	Bouclier
6	894059	DVAG11-DF
	894060	DVAG17-DF, DVAG25-DF
	88333	DVAG11-DF
8	88334	DVAG17-DF, DVAG25-DF
	894008	DVAG11-DF, DVAG17-DF
9	894103	DVAG25-DF
	88312	Couverture d'échappement
11	81399	DVAG11-DF
	81400	DVAG17-DF
	81401	DVAG25-DF
12	81393	Ensemble pilote, bicarburant (0,38 mm)

Clé	Partie #	Description
13	88346	Joint pilote
	81394	DVAG11-DF
	81395	DVAG17-DF
14	81396	DVAG25-DF
	81398	Orifice (vierge)
15	81397	Raccord à orifice
	81402	DVAG11-DF, DVAG17-DF
17	81405	brûleur
	81390	DVAG11-DF
18	81391	DVAG17-DF
	81392	DVAG25-DF
19	894061	Bouton, interrupteur de carburant
	81404	Raccord, entrée de gaz
20	81403	DVAG11-DF, DVAG17-DF
	81406	DVAG25-DF
21	893236	Kit de tuyau de ventilation (comprend un tuyau intérieur/ extérieur, un capuchon de ventilation et du matériel)
	893237	DVAG17-DF
	893238	DVAG25-DF
22	893236	Kit de tuyau de ventilation (comprend un tuyau intérieur/ extérieur, un capuchon de ventilation et du matériel)
	893237	DVAG17-DF
23	83990	Kit de matériel (non illustré)
	83990	DVAG25-DF

Comment effectuer la commande de pièces de réparation
 1-800-750-2723 Ext 5051 ou;
 Envoyez un courriel à : parts@ussstove.com

AVERTISSEMENT : SI LES PIÈCES NE SONT PAS POSITIONNÉES COMME L'AFICHENT LES DIAGRAMMES, OU SI DES PIÈCES AUTRES QUE CELLES APPROUVÉES POUR CET APPAREIL SONT UTILISÉES, DES BLESSURES, CORPORELLES OU DES DOMMAGES MATÉRIELS PEUVENT SURVENIR.



Includes: Inner Pipe, Outer Pipe, Vent Cap, Rod and Nut.

PROBLÈME OBSERVÉ CAUSE POSSIBLE SOLUTION

Le brûleur ne s'allume pas une fois la veilleuse allumée.	L'orifice du brûleur est bouché. Nettoyez l'orifice du brûleur ou remplacez l'orifice du brûleur.	La pression du gaz d'entrée est trop faible. Contactez la compagnie de gaz locale.
---	--	---

Légère fumée ou odeur lors de la première utilisation.	Résidus des processus de fabrication.	Il est normal que la nouvelle fournaise murale dégage une odeur lors de la première combustion. Cela est dû au durcissement de la peinture et à toute huile non détectée provenant du processus de fabrication. Il est recommandé de faire brûler une nouvelle fournaise murale pendant au moins deux (2) heures lors de sa première utilisation.
L'accumulation de poussière due à la non-utilisation provoquera une légère odeur lors de la remise en marche.		Il est normal que l'appareil dégage une odeur la première fois qu'il brûle après une période prolongée de non-utilisation.

Le radiateur produit un bruit de clic/tic-tac juste après que le brûleur soit allumé ou éteint.	Le métal se dilate en chauffant ou se contracte en refroidissant.	Ceci est courant avec la plupart des radiateurs. Si le bruit est excessif, contactez un technicien de maintenance qualifié.
---	---	---

Le chauffage s'éteint pendant l'utilisation.	Contactez le service à la clientèle	Contactez le service client si la veilleuse s'éteint également.
Odeur de gaz même lorsque le bouton de commande est en position OFF.	Fuite de gaz. Voir la déclaration d'AVERTISSEMENT ci-dessous.	Quittez immédiatement votre maison et appelez votre fournisseur de gaz depuis le téléphone d'un voisin. Suivez les instructions du fournisseur de gaz. Remplacez la vanne de régulation.

AVERTISSEMENT SI VOUS SENTEZ DU GAZ :

- **FERMER L'ALIMENTATION EN GAZ.**
- **N'ESSAYEZ PAS D'ALLUMER AUCUN APPAREIL**
- **NE TOUCHEZ À AUCUN INTERRUPTEUR ÉLECTRIQUE, N'UTILISEZ AUCUN TÉLÉPHONE DANS VOTRE IMMEUBLE.**
- **APPELER IMMÉDIATEMENT VOTRE FOURNISSEUR DE GAZ À PARTIR DU TÉLÉPHONE D'UN VOISIN. SUIVEZ LES INSTRUCTIONS DU FOURNISSEUR DE GAZ.**
- **SI VOUS NE POUVEZ PAS JOINDRE VOTRE FOURNISSEUR DE GAZ, APPELER LES POMPIERS.**

AVERTISSEMENT :
ÉTENDRE LE RADIATEUR ET LE LASSER REFROIDIR AVANT L'ENTRETIEN. SEUL UN TECHNICIEN QUALIFIÉ DEVAIT ENTRETIENIR ET RÉPARER LE RADIATEUR.

PROBLÈME OBSERVÉ	CAUSE POSSIBLE	SOLUTION	
<p>Lorsque le bouton d'allumage est enfoncé, il n'y a pas d'étincelle au niveau de la veilleuse.</p> <p>Mauvais allumeur piézo.</p> <p>Câble d'allumage cassé.</p> <p>Libérez le câble d'allumage s'il est pincé par un métal ou un tube. Gardez le câble d'allumage au sec.</p> <p>Rebranchez le câble d'allumage ou l'allumeur piézo.</p>	<p>Electrode d'allumage ou allumeur piézo-électrique non connecté au câble d'allumage.</p>	<p>Remplacez l'électrode d'allumage.</p>	
	<p>Lorsque le bouton d'allumage est enfoncé, il y a une étincelle au niveau de la veilleuse mais pas d'allumage.</p>	<p>L'alimentation en gaz est coupée ou le robinet d'arrêt manuel est fermé.</p> <p>Le bouton de commande n'est pas en position PILOT.</p> <p>Le bouton de commande n'est pas complètement enfoncé pendant le pilotage.</p> <p>Continuez à maintenir le bouton de commande enfoncé. Répétez l'opération d'allumage jusqu'à ce que l'air soit éliminé.</p> <p>Nettoyez l'orifice du pilote ou remplacez l'ensemble pilote.</p>	<p>Ouvrez l'alimentation en gaz ou ouvrez le robinet d'arrêt manuel.</p> <p>Tournez le bouton de commande sur la position PILOTE appropriée.</p> <p>Enfoncez complètement le bouton de commande en position PILOTE.</p>
	<p>Lorsque le bouton de commande n'est pas relâché, la flamme s'éteint mais la flamme s'éteint lorsque le bouton de commande est relâché.</p>	<p>Le bouton de commande n'est pas complètement enfoncé.</p> <p>Le bouton de commande n'est pas enfoncé assez longtemps.</p> <p>Vanne d'arrêt manuelle pas complètement ouverte.</p> <p>Connexion du thermocouple ou conduite de gaz pilote desserrée au niveau de la vanne de régulation.</p>	<p>Enfoncez complètement le bouton de commande.</p> <p>Après les veilleuses, maintenez le bouton de commande enfoncé pendant 30 secondes.</p> <p>Vanne d'arrêt manuelle entièrement ouverte.</p> <p>Serrez à la main jusqu'à ce qu'il soit bien serré, puis serrez 1/4 de tour supplémentaire.</p>
		<p>Le pilote est bouché.</p>	<p>Nettoyez l'orifice du pilote ou remplacez l'ensemble pilote.</p>
		<p>Le bouton de commande n'est pas complètement enfoncé.</p>	<p>Enfoncez complètement le bouton de commande.</p>
		<p>Le bouton de commande n'est pas enfoncé assez longtemps.</p>	<p>Après les veilleuses, maintenez le bouton de commande enfoncé pendant 30 secondes.</p>
		<p>Vanne d'arrêt manuelle pas complètement ouverte.</p>	<p>Vanne d'arrêt manuelle entièrement ouverte.</p>
		<p>Connexion du thermocouple ou conduite de gaz pilote desserrée au niveau de la vanne de régulation.</p>	<p>Serrez à la main jusqu'à ce qu'il soit bien serré, puis serrez 1/4 de tour supplémentaire.</p>
<p>La flamme pilote ne touche pas le thermocouple, ce qui permet au thermocouple de refroidir, provoquant l'extinction de la flamme pilote. Ce problème peut être dû à l'un des éléments suivants ou aux deux : Faible pression de gaz. Pilote sale ou partiellement obstrué.</p>		<p>Contactez la compagnie de gaz locale. Nettoyer le pilote ou remplacer l'ensemble pilote.</p>	
<p>Thermocouple endommagé.</p>		<p>Remplacez l'ensemble pilote.</p>	
<p>Vanne de régulation endommagée.</p>		<p>Remplacez la vanne de régulation.</p>	

NETTOYAGE DE L'ORIFICE DU BRÛLEUR PRINCIPAL ET DU BRÛLEUR

ATTENTION :
CES INSTRUCTIONS SONT DESTINÉES UNIQUEMENT AUX TECHNICIENS OU PERSONNES DE SERVICE QUALIFIÉS.

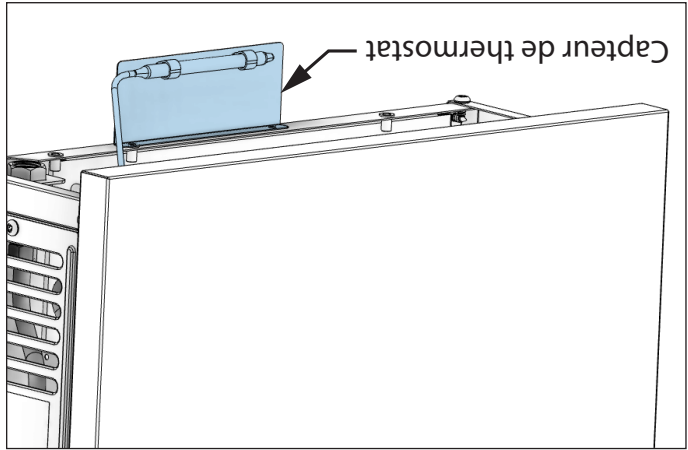
1. FERMEZ l'approvisionnement en gaz du radiateur.
2. Retirez la couverture de l'assemblage.
3. Déconnectez le tubage du brûleur et retirez le support de l'orifice.
4. Poussez de l'air comprimé dans le support de l'orifice pour enlever la poussière, les peluches ou les toiles d'araignées.
5. Poussez de l'air comprimé dans les trous du mur de la chambre de combustion où le support de l'orifice se trouvait pour enlever la poussière, les peluches ou les toiles d'araignées.
6. Comme les pièces sont remplacées en ordre inverse, vérifiez les fuites de gaz de toutes les connexions avant de replacer la couverture de l'assemblage.

COMMANDE DE PIÈCES DE RECHANGE

Pour l'assistance sur les pièces, appelez le 800-750-2723, poste 5051 ou par courriel: parts@usstove.com

Les informations contenues dans ce manuel du propriétaire sont spécifiques à votre appareil. Lors de la commande de pièces de rechange, les informations contenues dans ce manuel vous aideront à vous assurer que les bons articles sont commandés. Avant de contacter le service client, notez le numéro de modèle et le numéro de série de cet appareil. Cette information se trouve sur l'étiquette de certification apposée à l'arrière de l'appareil. D'autres informations qui pourraient être nécessaires sont le numéro de pièce et la description de l'article en question. Les références et les descriptions se trouvent dans la section «Pièces de réparation» de ce manuel. Une fois ces informations recueillies, vous pouvez contacter le service client par téléphone au 1-800-750-2723, poste 5051 ou par e-mail à parts@usstove.com.

Informations sur le modèle	
	Numéro de modèle
	Numéro de série



CAPTEUR DE THERMOSTAT

Cet appareil est équipé d'un capteur de thermostat qui ajuste automatiquement le chauffage lorsque la température ambiante atteint un certain niveau. En conséquence, le radiateur s'éteindra tandis que la veilleuse restera allumée.

IMPORTANT :
<ul style="list-style-type: none"> • NE FAITES PAS SÉCHER DE VÊTEMENTS SUR LE RADIATEUR. • NE PULVÉRISÉZ PAS D'AÉROSOL PRÈS DU RADIATEUR LORSQUE CELUI-CI EST EN MARCHÉ. NE STOCKEZ PAS CES ÉLÉMENTS PRÈS DE L'APPAREIL. • AFIN D'ÉVITER LES BRÛLURES, NE TOUCHEZ PAS LA GRILLE. • ÉVITEZ DE BLOQUER LES ENTRÉES D'AIR ET LES SORTIES D'AIR CHAUD. • NE RENVÉRSEZ PAS D'EAU SUR LE RADIATEUR, PUISQUE CELA POURRAIT ENTRAÎNER LA CORROSION OU DES DOMMAGES. • AFIN D'ÉVITER LES BRÛLURES LORSQUE LE RADIATEUR EST EN MARCHÉ, NE TOUCHEZ PAS LE COUVERCLE DE VENTILATION. • SI VOUS DÉCELEZ UNE ODEUR DE GAZ, OUVREZ LES PORTES ET LES FENÊTRES ET N'ALLUMEZ AUCUN APPAREIL ÉLECTRIQUE PRÈS DU RADIATEUR. APPELEZ VOTRE FOURNISSEUR DE GAZ.

- Remarque: Il est normal que les nouvelles fournaises murales aient une certaine odeur lorsqu'elles sont allumées pour la première fois. Cela est dû au séchage de la peinture et d'huiles qui n'ont pas été détectées lors du processus de fabrication. Il est recommandé de laisser la fournaise murale allumée pendant au moins deux (2) heures lors de la première utilisation.
- Vous devez maintenir les commandes, le brûleur et les passages d'air de circulation du radiateur propres. Inspectez ces zones de l'appareil de chauffage avant chaque utilisation. L'inspection devrait être effectuée par un technicien qualifié. Un radiateur pourrait nécessiter un entretien plus fréquent en raison des peluches de tapis, de la literie, etc. Vérifier que l'appareil fonctionne bien après l'entretien.
- Attention : Vérifier que l'appareil fonctionne bien après l'entretien.
- * L'installation et le service doivent être effectués par un installateur qualifié, un organisme de service ou le fournisseur de gaz *
- Nettoyage et entretien
- Extérieur : à l'aide d'un chiffon doux humidifié à l'aide d'un mélange d'eau et de savon doux. Essuyez le

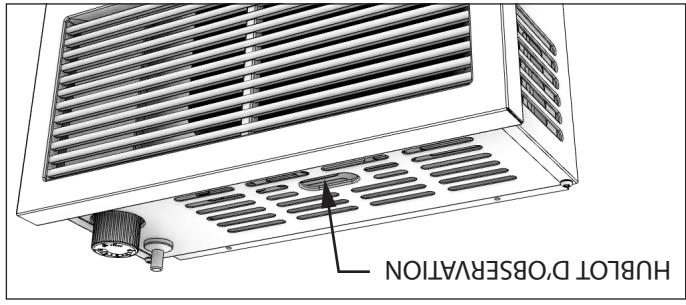


Figure 33 Le modèle de flamme correct de la veilleuse est affiché.

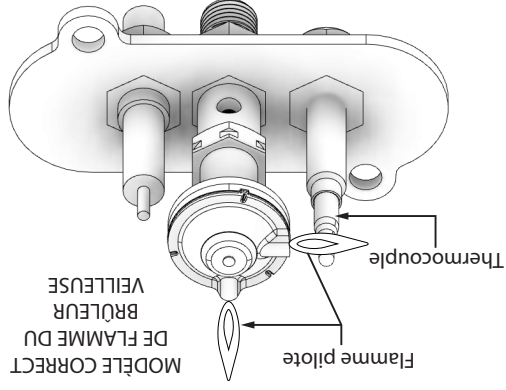


Figure 34

ATTENTION :
<p>LAISSEZ UN TEMPS DE REFOUILLISSEMENT ADÉQUAT AVANT DE NETTOYER OU D'ENTRETENIR CET APPAREIL. ÉVITER TOUT CONTACT AVEC CET APPAREIL PENDANT LE FONCTIONNEMENT OU PENDANT LE REFOUILLISSEMENT</p>

ATTENTION :
<p>VÉRIFIER QUE L'APPAREIL FONCTIONNE BIEN APRÈS L'ENTRETIEN.</p>

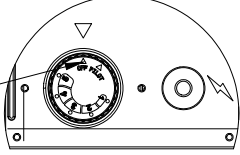
ATTENTION :
<p>VOUS DEVEZ MAINTENIR LES COMMANDES, LE BRÛLEUR ET LES PASSAGES D'AIR DE CIRCULATION DU RADIATEUR PROPRES. INSPECTEZ CES ZONES DE L'APPAREIL DE CHAUFFAGE AVANT CHAQUE UTILISATION. L'INSPECTION DEVAIT ÊTRE EFFECTUÉE PAR UN TECHNICIEN QUALIFIÉ. UN RADIATEUR POURRAIT NéCESSITER UN ENTRETIEN PLUS FRÉQUENT EN RAISON DES PELUCHES DE TAPIS, DE LA LITERIE, ETC. VÉRIFIER QUE L'APPAREIL FONCTIONNE BIEN APRÈS L'ENTRETIEN.</p>

SI VOUS NE RESPECTEZ PAS SCRUPULEUSEMENT CES INSTRUCTIONS, DES BLESSURES ET MÊME LA MORT. DES DOMMAGES À LA PROPRIÉTÉ, DES BLESSURES ET MÊME LA MORT.

AVERTISSEMENT :

INSTRUCTIONS D'ALLUMAGE

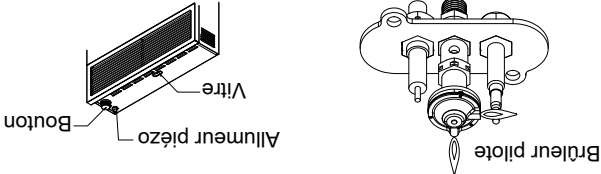
- ARRÊTER! Lisez les instructions de sécurité sur la portion supérieure de cette étiquette.
- Vérifiez que la fourniture de gaz à l'appareil de chauffage soit ouverte.
- Régler le thermostat à la température la plus basse.
- Appuyez doucement sur le bouton et tournez-le en direction des aiguilles d'une montre jusqu'à la position "OFF" (Fermée). Ne la forcez pas.



INDICATEUR DE POSITION

NB: On ne peut tourner le bouton depuis la position "PILOT" (Veilleuse) jusqu'à la position "OFF" (Fermée) que si l'on appuie doucement. Ne la forcez pas.

- Attendez cinq (5) minutes pour laisser échapper tout le gaz. Renifler tout autour de l'appareil, y compris près du plancher, pour détecter une odeur de gaz. Si c'est le cas, ARRÊTER! Passer à l'étape B des instructions de sécurité sur la portion supérieure de cette étiquette. S'il n'y a pas d'odeur de gaz, passer à l'étape suivante.
- Trouvez la veilleuse: elle peut être vue à travers la petite vitre sur la partie supérieure de l'appareil.



Brûleur pilote
Allumeur piézo
Bouton
Vitre

- Tournez le bouton de commande du gaz dans le sens antihoraire jusqu'à ce que le bouton de commande de la veilleuse soit appuyé plusieurs fois sur le bouton piézo. Cela devrait amener l'étincelle de l'allumeur à allumer le gaz dirigé. Maintenez le bouton de commande enfoncé pendant dix (10) secondes avant de le relâcher. Si la veilleuse ne s'allume pas, répétez l'étape 6. REMARQUE: Il peut être nécessaire d'appuyer sur pendant trente (30) secondes si c'est la première fois que le radiateur est connecté à l'alimentation en gaz. Si le bouton ne s'ouvre pas lorsqu'il est relâché, arrêtez-vous et appelez immédiatement votre technicien de service ou votre fournisseur de gaz.
- Lorsque la veilleuse est allumée, tournez le bouton de commande dans le sens inverse des aiguilles d'une montre jusqu'au niveau de chauffage souhaité.
- Réglez le thermostat au réglage souhaité. (Le cas échéant).

COUPEZ L'ALIMENTATION EN GAZ DE L'APPAREIL.

- Régler le thermostat à la température la plus basse.
- Tournez le bouton dans la direction des aiguilles d'une montre jusqu'à la position "OFF" (Fermée).

ATTENTION: Attendez cinq (5) minutes avant de rallumer l'appareil.

Figure 32

NE TENTEZ PAS D'AJUSTER LES NIVEAUX À L'AIDE DE LA VANNE D'ARRÊT MANUEL.

ATTENTION :

INSTALLATION

2. Ouvrez la valve de fermeture manuelle. Vérifiez s'il y a des fuites en appliquant du détergent liquide sur les joints. Vérifiez tous les joints du compteur de gaz à la vanne de gaz thermostatique. (Si des bulles se forment, c'est qu'il y a une fuite.)
3. Corrigez les défauts en même temps.

ATTENTION :

N'UTILISEZ JAMAIS DE FLAMME OUVERTE POUR VÉRIFIER LES FUITES

TEST DE PRESSION DE LA CONDUITE D'ALIMENTATION

ATTENTION : Cet appareil et la vanne de gaz principale de celui-ci doivent être déconnectés du système de conduite d'alimentation en gaz lors des tests de pression si la pression excède 3,5 kPa (1/2 psi). Cet appareil doit être déconnecté du système de conduite d'alimentation en gaz en fermant la vanne d'arrêt lors des tests de pression si la pression excède 3,5 kPa (1/2 psi).

INSTALLATIONS À HAUTE ALTITUDE

Cet appareil peut être installé à des altitudes plus élevées. Veuillez vous référer au National Fuel Gas Code ANSI Z223.1/NFPA 54, au CSA-B149.1 Natural Gas and Propane Installation Code, aux autorités locales ou aux codes ayant juridiction dans votre région concernant les directives de détarage. Conformément aux codes de référence ci-dessus, pour les élévations supérieures à 2 000 pieds (4 500 pieds (1 372 m) au Canada), les valeurs d'entrée doivent être réduites de 4 % pour chaque 1 000 pieds (305 m).

Pression d'entrée	
Gaz nat.	Entre 7 po et 10,5 po de colonne d'eau.
Gaz nat.	Entre 178 mm et 267 mm de colonne d'eau.
Gaz de pétrole liquéfié	Entre 11 po et 14 po de colonne d'eau.
Gaz de pétrole liquéfié	Entre 280 mm et 356 mm de colonne d'eau.

AVERTISSEMENT :

- POUR LE GAZ DE PÉTROLE LIQUÉFIÉ, UTILISEZ LE RÉSERVOIR D'APPROVISIONNEMENT EN GAZ DE PÉTROLE LIQUÉFIÉ DIRECTEMENT AU RÉGULATEUR DU RADIATEUR. LE RÉSERVOIR D'APPROVISIONNEMENT EN GAZ DE PÉTROLE LIQUÉFIÉ DOIT POSSÉDER SON PROPRE RÉGULATEUR DE PRESSION POUVANT RÉDUIRE LA PRESSION DANS LE RÉSERVOIR D'APPROVISIONNEMENT EN GAZ JUSQU'À UN MAXIMUM DE 355 MM (14 PO DE COLONNE D'EAU).
- TOUTS LES TUYAUX DE GAZ ET TOUTES LES CONNEXIONS DOIVENT ÊTRE SOUMIS À UNE ÉPREUVE D'ÉTANCHEITÉ APRÈS L'INSTALLATION OU L'ENTRETIEN. TOUTES LES FUITES DOIVENT ÊTRE CORRIGÉES IMMÉDIATEMENT.

VÉRIFICATION APRÈS LA CONNEXION DES TUYAUX DE GAZ

1. Assurez-vous que la commande On/Off/Pilote du radiateur est en position « OFF ».

CONNEXION DES TUYAUX DE GAZ

1. Nous recommandons de n'utiliser que des tuyaux en fer noir ou en acier. CONSULTEZ LES CODES LOCAUX.
2. La conduite d'alimentation en gaz doit être dimensionnée et installée afin de fournir un débit suffisant, tout en respectant la demande maximale du radiateur et en ne causant aucune perte de pression excessive.
3. Le scelllement à utiliser sur les joints filetés ou le tuyau de gaz doit être d'un type résistant à l'action du gaz de pétrole liquéfié. (Le scelllement doit être appliqué légèrement aux filets mâles pour assurer qu'aucun excédant de scelllement ne s'infilte dans les tuyaux.)
4. Le système d'alimentation en gaz doit inclure une vanne d'arrêt manuelle et un raccordement dans la conduite, afin que le chauffe-eau puisse être débranché pour l'entretien.
5. Ajoutez un collecteur d'écoulement (trappe), ainsi qu'un taraud de pression et de température normale de 1/8 po au raccord. Le taraud devrait être accessible pour tester les connexions des jauges en amont de la connexion entre l'approvisionnement en gaz et le radiateur.

IMPORTANT :
MAINTENEZ LES RACCORDS DE GAZ DE L'APPAREIL AVEC L'OUTIL APPROPRIÉ LORS DU RACCORDÉMENT À LA TUYAUTERIE ET/OU AUX RACCORDS DE GAZ.

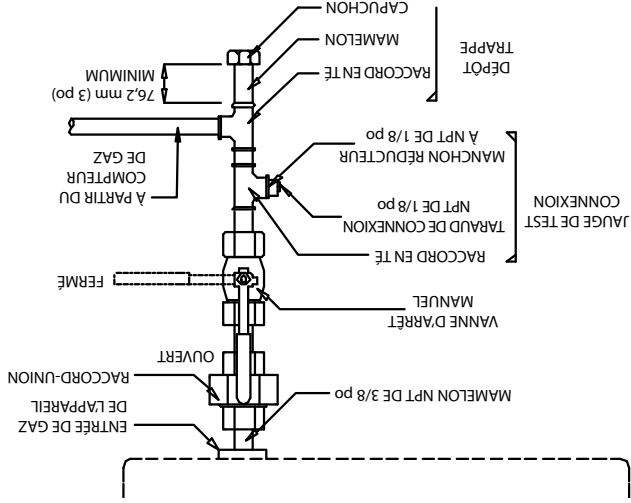


Figure 31



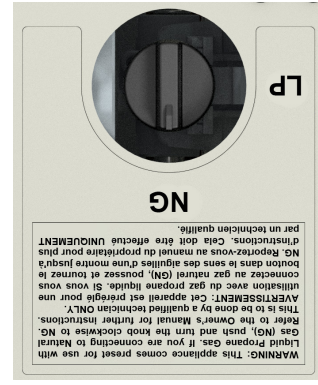
AVERTISSEMENT:
CET APPAREIL PEUT ÊTRE UTILISÉ AVEC DU PROPANE OU DU GAZ NATUREL. IL EST EXPÉDIÉ DE L'USINE RÉGLÉ POUR ÊTRE UTILISÉ AVEC DU PROPANE.

CAUTION:
LE BOUTON DE SÉLECTION DE GAZ NE DOIT PAS ÊTRE ACCÉDÉ NI RÉGLÉ PENDANT QUE L'APPAREIL EST EN FONCTIONNEMENT

AVERTISSEMENT:
LA SÉLECTION DU GAZ DOIT ÊTRE EFFECTUÉE UNIQUEMENT PAR UN TECHNICIEN QUALIFIÉ

Remarque : Si vous connectez cet appareil au propane, n'effectuez aucun réglage. Procédez à l'installation de la conduite de gaz comme indiqué dans le manuel du propriétaire.

Si vous vous connectez au gaz naturel. Tournez le bouton dans le sens des aiguilles d'une montre jusqu'à ce que la flèche sur le bouton s'aligne avec l'étiquette NG sur l'appareil.



WARNING: This appliance comes preset for use with Natural Gas. If you are connecting to Natural Gas (NG), push and turn the knob clockwise to NG. Refer to the Owner's Manual for further instructions. Do not push and turn the knob clockwise to LP. Reconnect to LP gas propane liquid. If you are connecting to LP gas propane liquid, push and turn the knob clockwise to LP. Reconnect to LP gas propane liquid. Do not push and turn the knob clockwise to NG. Refer to the Owner's Manual for further instructions. This is to be done by a qualified technician ONLY.

AVERTISSEMENT: Cet appareil est pré réglé pour une utilisation avec du gaz propane liquide. Si vous vous connectez au gaz propane liquide (LP), poussez et tournez le bouton dans le sens des aiguilles d'une montre jusqu'à ce que la flèche sur le bouton s'aligne avec l'étiquette LP sur l'appareil. Réglez le gaz propane liquide. Si vous vous connectez au gaz naturel (GN), poussez et tournez le bouton dans le sens des aiguilles d'une montre jusqu'à ce que la flèche sur le bouton s'aligne avec l'étiquette NG sur l'appareil. Ce réglage doit être effectué UNIQUEMENT par un technicien qualifié.

- Avant de fixer le capuchon de ventilation (A) sur le mur extérieur, passez un cordon de mastic non durcissant (caifeutrage silicone) autour de son bord extérieur, de manière à assurer l'étanchéité entre celui-ci et la plaque de montage extérieure (F).
- Faites glisser le capuchon de ventilation (A) en position et fixez-le à l'aide de l'écrou fourni (E). Serrez l'écrou (E) jusqu'à ce que le capuchon de ventilation (A) s'appuie contre la plaque de montage extérieure (F).

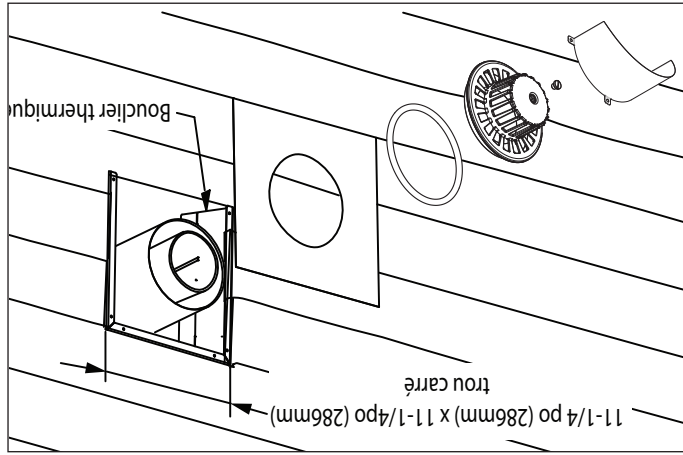


Figure 27

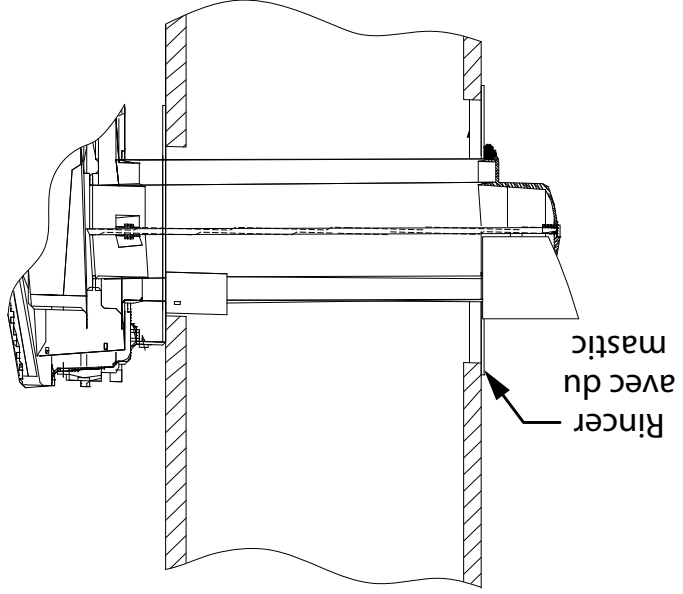


Figure 28

- Pliez à la main le pare-pluie (C) en demi-cercle et alignez-le avec les trous de montage situés dans la plaque de montage extérieure (F). Fixez le pare-pluie (C) à la plaque de montage extérieure (F) à l'aide de trois (3) petites vis (VI) incluses dans le paquet de matériel.

Figure 28

INSTALLATION DE LA SONDE THERMOSTATIQUE

- Afin de protéger la sonde du thermostat de tout dommage lors du transport, ou lors de sa manipulation avant son installation définitive, la sonde du thermostat n'a pas été fixée à son emplacement définitif dans l'appareil. Ainsi, une fois le radiateur installé, le support du capteur du thermostat doit être placé et fixé en position. Pour ce faire, procédez comme suit :
1. Passez la main par le bas de l'appareil et coupez l'attache de câble qui maintient le support du capteur du thermostat à l'appareil.
 2. Fixez le support du capteur du thermostat à l'unité à l'aide de la vis moyenne fournie (I), comme illustré.

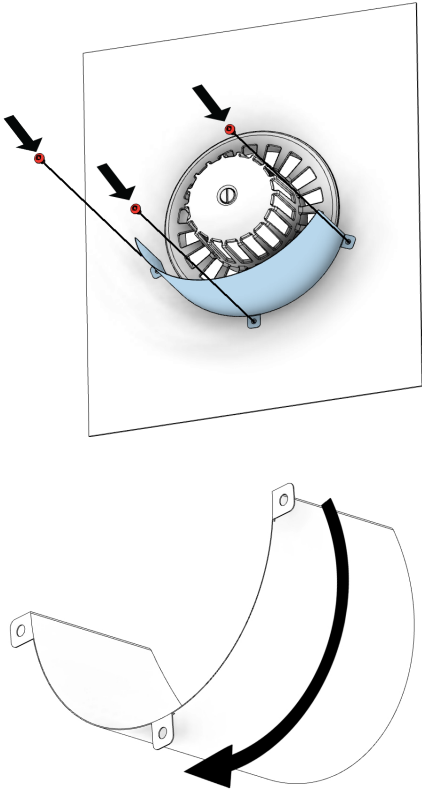


Figure 29

2. Fixez le support du capteur du thermostat à l'unité à l'aide de la vis moyenne fournie (I), comme illustré.

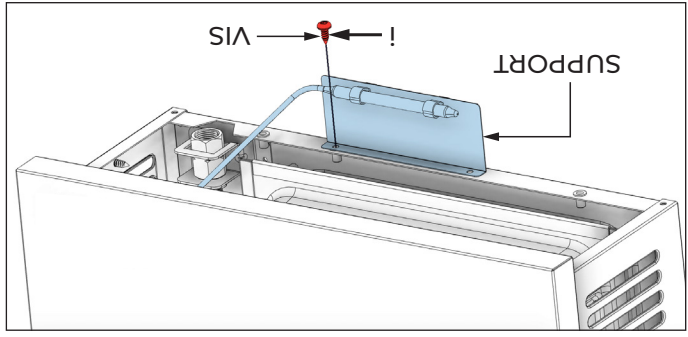


Figure 30

A	Bouchon d'aération
B	Tuyau de ventilation
C	Tuyau d'admission d'air
D	Barre
E	Écrou
F	Plaque de montage extérieure
G	Anneau en silicone et caoutchouc
H	Ruban
I	Isolation
J	Bouclier de pluie
K	Bouclier thermique

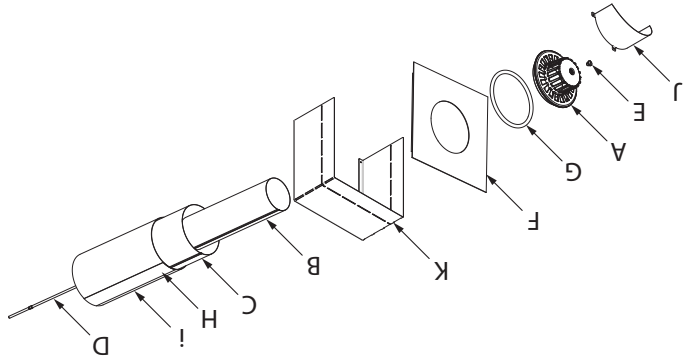


Figure 24

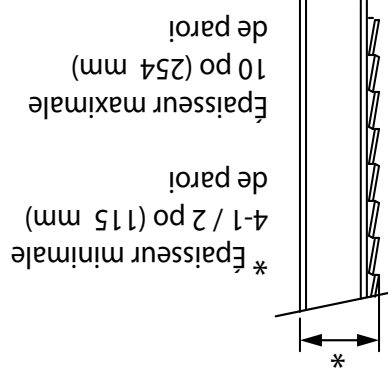


Figure 25

Mesurer l'épaisseur du mur comme indiqué sur la figure 25.
 1. Si l'un des éléments suivants est long, coupez-les en fonction de l'épaisseur du mur (voir tableau 3):

- (B) tuyau de ventilation
- (C) tuyau d'admission d'air
- (I) isolation
- (D) tige

2. Le trou à l'extérieur du mur doit être un carré de 11-1/4 po (286 mm) x 11-1/4 po (286 mm) (voir figure 27).
 3. Faites glisser l'écran thermique (K) dans le trou carré de 11-1/4 po (286 mm) x 11-1/4 po (286 mm). Fixez l'écran thermique (K) au support mural à l'aide du matériel approprié.
 4. De l'extérieur du mur, vissez légèrement la tige (D) sur le support situé à l'intérieur de la sortie de fumée de l'appareil.
 5. Enveloppez le tuyau d'admission d'air (C) avec l'isolant fourni (I) (côté feuille vers l'extérieur) et placez la bande de ruban fournie (H) le long de la couture pour le fixer.
 6. Faites glisser le plus petit tuyau d'évent (B) de l'extérieur de votre maison) à travers le trou dans le mur et fixez-le à l'appareil de chauffage monté à l'intérieur de votre maison. Assurez-vous que le tuyau de ventilation est bien ajusté et engagé dans le radiateur. Faites ensuite glisser le plus grand tuyau d'admission d'air de ventilation, avec l'isolant enveloppé et scotché à l'extérieur du tuyau, à travers le même trou et sur le plus petit tuyau d'aération (B) et fixez-le au radiateur.

REMARQUE : Il est essentiel que l'enveloppe isolante (I) soit enveloppée et fixée avec le ruban adhésif à l'extérieur du plus grand tuyau d'admission d'air de ventilation (C). L'isolant ne doit PAS être enroulé entre le tuyau d'évent (B) et le tuyau d'admission d'air d'évent (C).

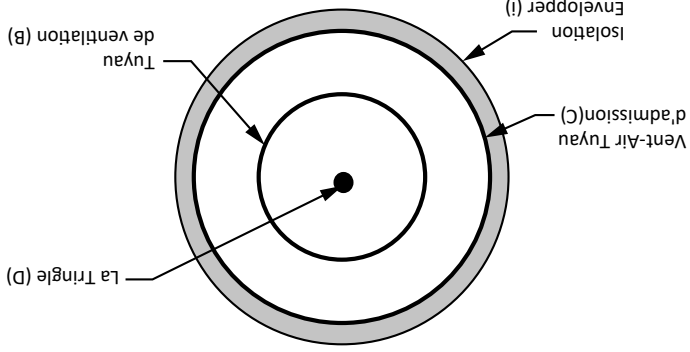


Figure 26

7. La plaque de montage extérieure (F) et l'anneau en caoutchouc de silicone (C) doivent être installés entre le capuchon de ventilation (A) et le mur extérieur. Remarque : Pour plus de sécurité, la plaque de montage extérieure (F) peut être fixée à l'extérieur du mur à l'aide du matériel approprié pour le montage à la surface du bâtiment. La plaque de montage extérieure (F) doit être positionnée au ras du mur et scellée avec un mastic non durcissant (caféurrage silicone).

INSTALLATION DU SYSTÈME DE VENTILATION
 Ces modèles de fournaises murales sont conçus pour une ventilation directe à travers un mur. Seuls les composants de ventilation spécifiquement approuvés pour ces fours peuvent être utilisés. La circulation des gaz de combustion et de l'air de ventilation ne doit pas être obstruée.

AVERTISSEMENT :
 TOUS LES JOINTS DOIVENT ÊTRE ÉTANCHES À L'AIR.

MISE EN GARDE :
 SI LES PIÈCES NE SONT PAS POSITIONNÉES COMME L'AFICHENT LES DIAGRAMMES, OU SI DES PIÈCES AUTRES QUE CELLES APPRUVÉES POUR CET APPAREIL SONT UTILISÉES, DES BLESSURES CORPORELLES OU DES DOMMAGES MATÉRIELS PEUVENT SURVENIR.

IMPORTANT :
 LE SYSTÈME DE VENTILATION DE L'APPAREIL DOIT ÊTRE INSPECTÉ AU MOINS UNE FOIS PAR ANNÉE ET NETTOYÉ IMMÉDIATEMENT SI NÉCESSAIRE.

IMPORTANT :
 LE SYSTÈME DE VENTILATION ET D'ENTRÉE D'AIR DOIT ÊTRE CORRECTEMENT INSTALLÉ POUR ASSURER UNE UTILISATION CORRECTE ET ADEQUATE. ADEQUATE. DE PLUS, LE SYSTÈME DE VENTILATION ET D'ENTRÉE D'AIR DOIT ÊTRE CORRECTEMENT REINSTALLÉ ET RESCELLÉ POUR ASSURER UNE UTILISATION CORRECTE ET ADEQUATE.

Le système de ventilation se compose de:

Tableau 3 Longueurs des tuyaux et de la tige		
Tuyau de ventilation et d'entrée d'air (C)	Épaisseur du mur + (2-1/2 po)	86 mm
Tige (D)	Épaisseur du mur + (5-7/8 po)	149,5 mm

INSTALLATION



2. Utilisez deux vis moyenne (I) pour fixer le support inférieur à l'unité.

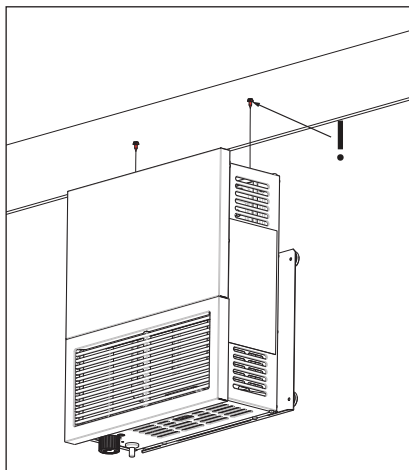


Figure 22

ATTENTION :
 LES DEUX PLAQUES D'IDENTIFICATION ET LA NOTICE TECHNIQUE (LA PLAQUE SIGNALÉTIQUE ET LA EN AUCUN CAS ÊTRE RETIRÉES DE L'APPAREIL.

PLAQUE, D'UTILISATION, ET PLAQUE DE SÉCURITÉ

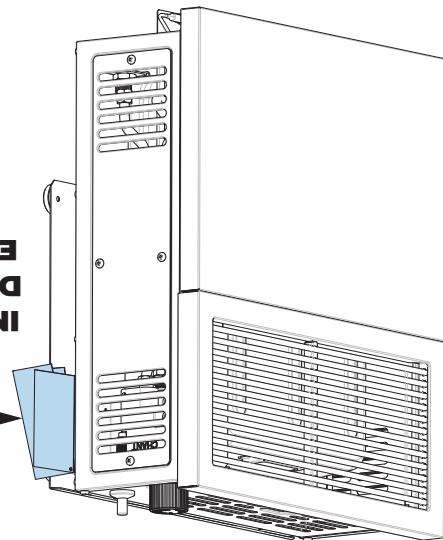


Figure 23

4. Insérez les deux œillets en caoutchouc fournis (V) dans le support inférieur comme indiqué



5. Placez le support mural, avec le bouclier thermique fixé dans le trou carré. Vérifiez que le support est de niveau. Sinon, vous devrez peut-être couper le trou que vous avez découpé pour vous assurer que le support est de niveau une fois installé. Après avoir mis à niveau le support de suspension, marquez les 4 trous comme indiqué.

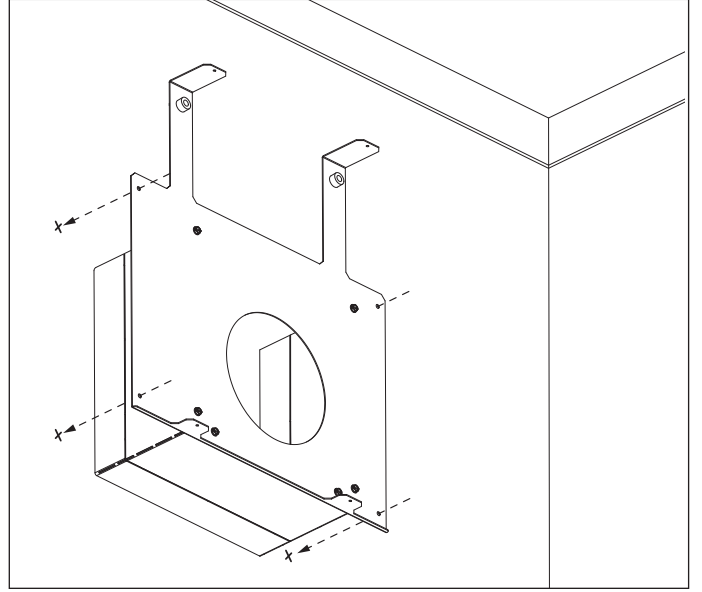


Figure 19

Figure 20

MONTAGE DU CHAUFFAGE SUR LE SUPPORT DE SUSPENSION

1. Placez le radiateur sur le support de suspension et fixez-le avec deux petites vis (VI).

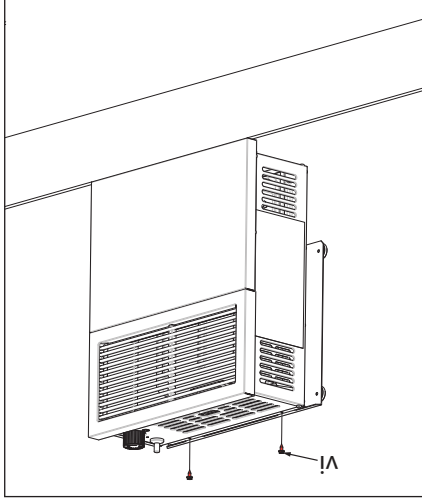
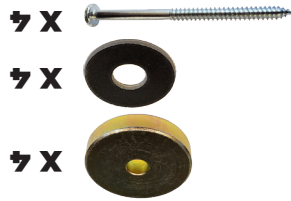
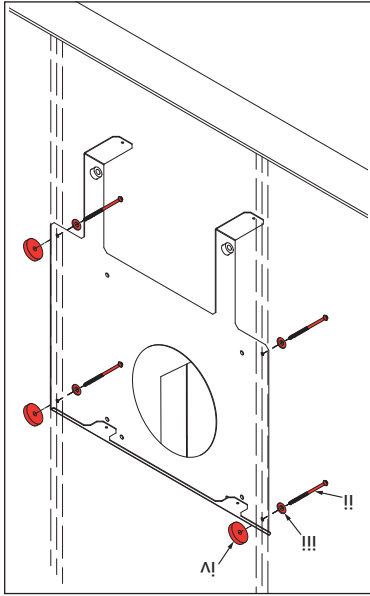


Figure 21

6. Retirez le support de suspension et percez les quatre trous à l'aide d'un foret 3/32 po.
 7. Placez le support de suspension et fixez-le avec quatre vis (III) et quatre rondelles (IIII). IMPORTANTS : Les quatre rondelles d'espacement 1/4 po (IV) fournies doivent être placées entre le support et le mur.



8. Passez à la section « MONTAGE DU CHAUFFAGE SUR LE SUPPORT DE SUSPENSION » de ce manuel.

INSTALLATION DU SUPPORT DE SUSPENDRE SUR UN MUR EN SÈCHE

1. Retirez l'écran thermique requis de la boîte et pliez le comme indiqué sur l'illustration. Remarque : Pliez le long des lignes perforées et cassez-le lors de l'installation dans un mur 2 x 4 ; cependant, si vous l'installez à travers un mur de passage plus petit, cassez-le ou coupez-le à une taille personnalisée avant de le plier. Alignez les trous de l'écran thermique avec les trous du support de montage et fixez-le à l'aide des six petites vis fournies (v1).

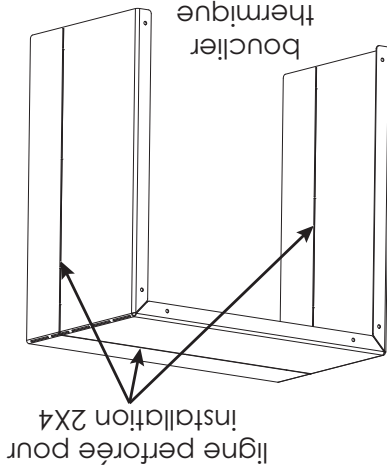


Figure 14

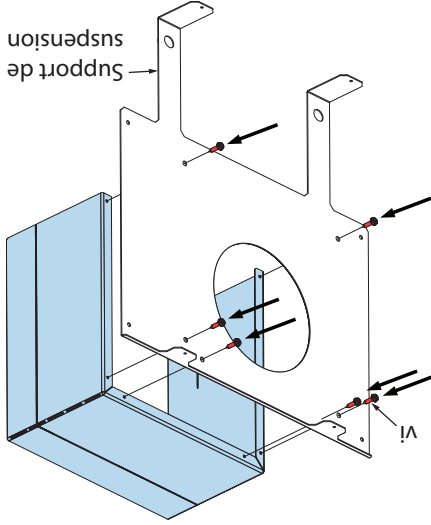


Figure 15

2. En tenant compte des dégagements minimaux mentionnés dans le tableau 2, repérez le montant mural le plus proche (qui servira à maintenir l'appareil) et marquez le centre du trou carré à une distance « A », (si le montant mural est à droite), ou « B », (si le plot est à gauche)(voir tableau 2 et figures 16 et 17).

3. Découpez le trou carré dans le mur. Remarque: Utilisez l'écran thermique pour maintenir le support en place lors du marquage des emplacements des trous carrés.

TABLEAU 2				A	B	C	D
DVAG11-DF				9-1/8 po (233 mm)	6-13/16 po (174 mm)	20-3/16 po (514 mm)	11-1/4 po x 11-1/4 po square hole
DVAG17-DF				8 po (204 mm)	8 po (204 mm)	19-1/2 po (495 mm)	11-1/4 po x 11-1/4 po square hole
DVAG25-DF				8 po (204 mm)	8 po (204 mm)	23-3/16 po (590 mm)	11-1/4 po x 11-1/4 po square hole

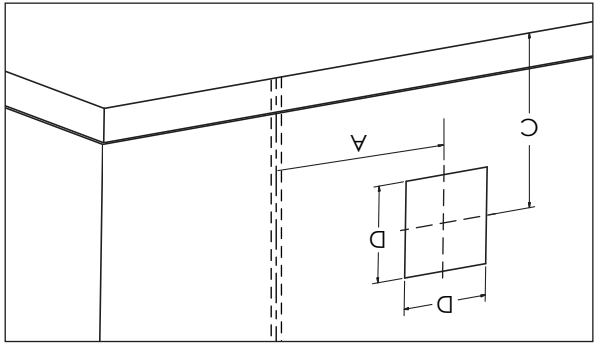


Figure 16

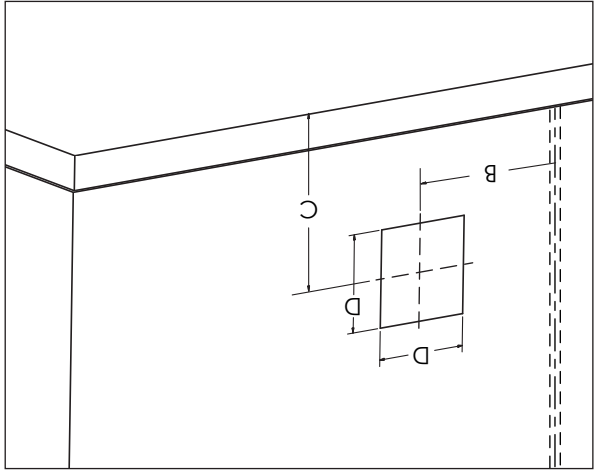


Figure 17

2. Dessinez la position du trou pour le tuyau d'admission d'air, en tenant compte des dégagements minimaux mentionnés dans la figure 6. Voir les dimensions du trou carré « D » et la hauteur jusqu'au centre « C » dans le tableau 1 et la figure 10 pour les différents modèles. La hauteur « C » est le minimum recommandé.

TABLEAU 1			
MODÈLE	C	D	
DVAG11-DF	20-7/32 po (514 mm)	11-1/4 po X 11-1/4 po	DVAG25-DF
DVAG17-DF	20 po (508 mm)		
			trou carré

3. Découpez le trou carré à travers le mur selon les mesures et les positions indiquées dans la figure ci-dessous.

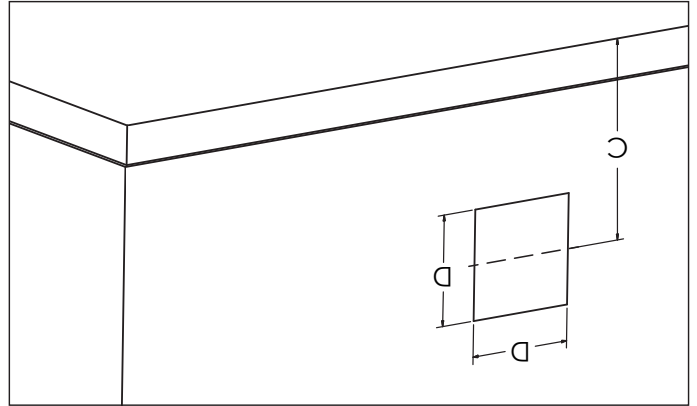


Figure 10

4. Insérez les deux œillets en caoutchouc fournis (V) dans le support inférieur.

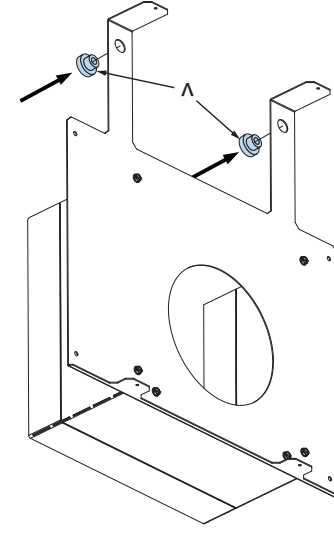


Figure 11

5. Placez le support de suspension sur le trou carré. Vérifiez si le support est de niveau. Après avoir mis à niveau le support de suspension, marquez les quatre trous.

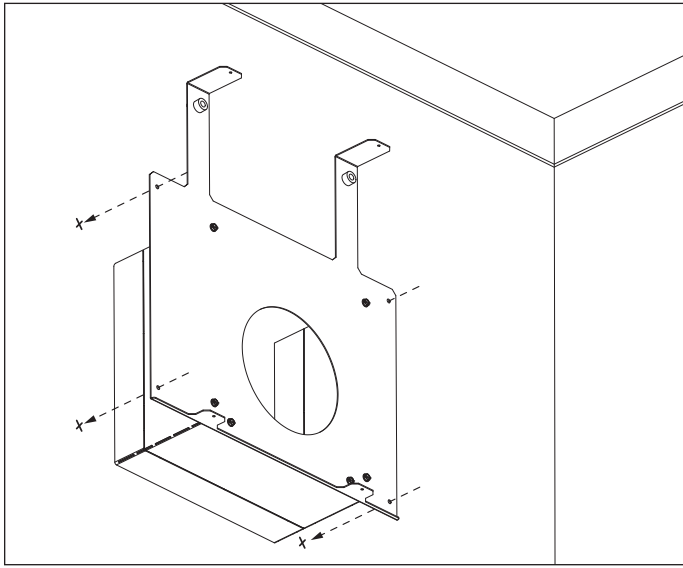


Figure 12

6. Retirez le support de suspension et percez les quatre trous à l'aide d'un foret à maçonnerie. REMARQUE : La taille des forets à maçonnerie doit correspondre à la taille de la vis à maçonnerie qui sera utilisée (vis à maçonnerie et foret non inclus).

7. Fixez le support de suspension au mur. IMPORTANT : Les quatre rondelles d'espacement 1/4 po (iv) fournies doivent être placées entre le support et le mur.

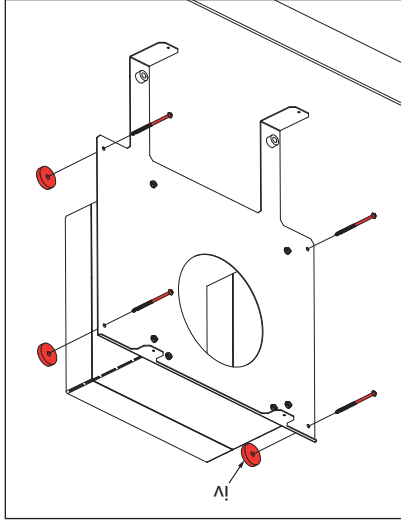
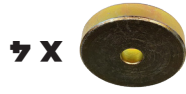


Figure 13

INSTALLATION DES SUPPORTS D'ACCROCHAGE SUR UN MUR NON COMBUSTIBLE (P. EX., EN BLOCS DE MAÇONNERIE OU EN BÉTON)

1. Retirez l'écran thermique requis de la boîte et pliez-le comme indiqué sur l'illustration. Remarque : Pliez le long des lignes perforées et cassez-le lors de l'installation dans un mur 2 x 4 ; cependant, si vous l'installez à travers un mur de passage plus petit, cassez-le ou coupez-le à une taille personnalisée avant de le plier. Alignez les trous de l'écran thermique avec les trous du support de montage et fixez-le à l'aide des six petites vis fournies (VI).

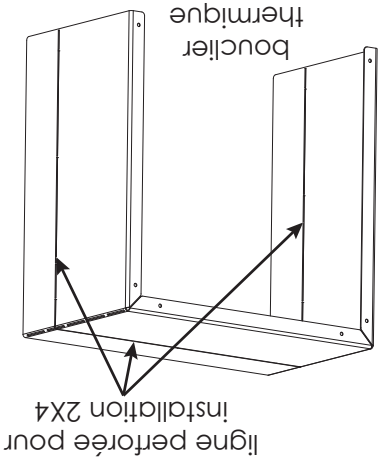


Figure 8

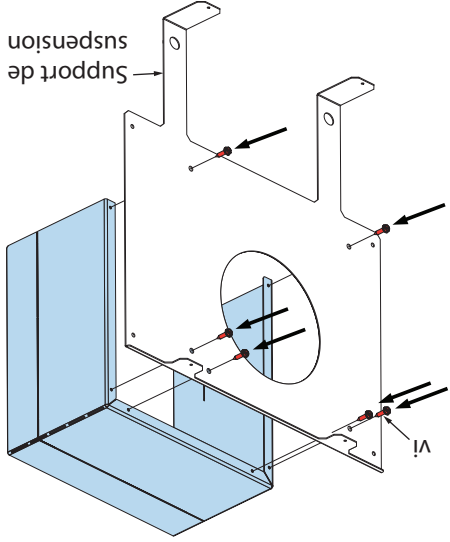


Figure 9

IMPORTANT :

L'INSTALLATION ET LES RÉPARATIONS DOIVENT ÊTRE EFFECTUÉES PAR UN PERSONNEL D'ENTRETIEN QUALIFIÉ. L'APPAREIL DOIT ÊTRE INSPECTÉ PAR UN PERSONNEL QUALIFIÉ AVANT D'ÊTRE UTILISÉ, PUIS AU MOINS UNE FOIS PAR ANNÉE PAR CELUI-CI. DES NETTOYAGES PLUS FRÉQUENTS PEUVENT ÊTRE NÉCESSAIRES, S'IL Y A UNE GRANDE QUANTITÉ DE FIBRES PROVENANT DES TAPIS, DE LA LITERIE, ETC. IL EST PRIMORDIAL DE MAINTENIR LA PROPRETÉ DES COMPARTIMENTS DE CONTRÔLE, DES BRÛLEURS ET DES CANAUX DE CIRCULATION D'AIR DE L'APPAREIL.

MISE EN GARDE :

SI LES PIÈCES NE SONT PAS POSITIONNÉES COMME L'AFICHENT LES DIAGRAMMES, OU SI DES PIÈCES AUTRES QUE CELLES APPROUVÉES POUR CET APPAREIL SONT UTILISÉES, DES BLESSURES CORPORELLES OU DES DOMMAGES MATÉRIELS PEUVENT SURVENIR.

CONTENU DU PAQUET MATÉRIEL

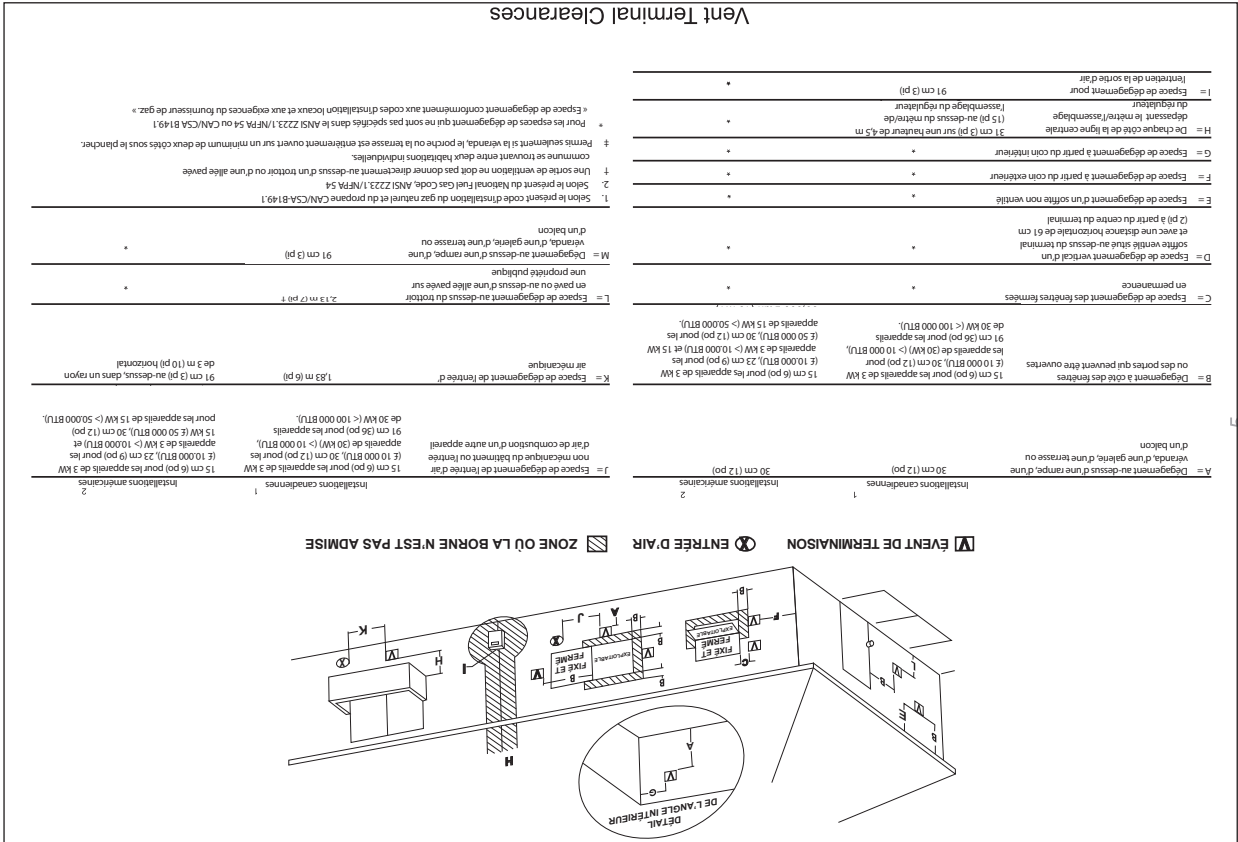
CLÉ	DESCRIPTION	ARTICLE	QTÉ
!	Vis Moyenne		3
!!	Grande vis		4
!!!	Machine à laver		4
iv	Rondelle d'espacement		4
v	Oeillet en caoutchouc		2
vi	Petite vis		11

Si l'installation par le fabricant d'origine est effectuée dans une maison préfabriquée (États-Unis seulement) ou mobile, elle doit respecter le Manufactured Home Construction and Safety Standard, titre 24 CFR, Partie 3280. Toutefois, si cette norme n'est pas applicable, l'installation doit respecter le Standard for Manufactured Home Installations, ANSI Z 225.1, ou le Standard for Gas Equipped Recreational Vehicles and Mobile Housing, CSA Z 240.4.

IMPORTANT :
CET APPAREIL NE DOIT ÊTRE INSTALLÉ QUE PAR UN INSTALLATEUR QUALIFIÉ. L'INSTALLATION DOIT ÊTRE CONFORME AUX CODES LOCAUX OU, EN L'ABSENCE DE CEUX-CI, AU NATIONAL FUEL GAS CODE ANSI Z223.1/NFPA 54, ET AU CODE D'INSTALLATION DU GAZ NATUREL ET DU PROPANE CSA B149.1.

Si les codes locaux ne l'interdisent pas, l'appareil peut être installé dans une maison préfabriquée (États-Unis seulement) ou mobile provenant du marché secondaire et installée de manière permanente. Cet appareil n'est compatible qu'avec le type de gaz indiqué sur la plaque signalétique. Cet appareil peut être utilisé avec du propane ou du gaz naturel ; cependant, la sélection du gaz ne doit être effectuée que par un technicien qualifié.

Figure 7



- IMPORTANT :**
- LES LIEUX OÙ SE TROUVE L'APPAREIL DOIVENT ÊTRE EXEMPTS DE MATÉRIAUX COMBUSTIBLES, D'ESSENCE ET AUTRES LIQUIDES OU VAPEURS INFLAMMABLES.
 - EN RAISON DES HAUTES TEMPÉRATURES QU'IL DÉGAGE, L'APPAREIL DOIT ÊTRE INSTALLÉ À L'ÉCART DE LA CIRCULATION, DES MEUBLES ET DES RIDEAUX.
 - LES ENFANTS ET LES ADULTES DOIVENT ÊTRE INFORMÉS DES RISQUES QUE COMPORTENT LES SURFACES À HAUTE TEMPÉRATURE ET DOIVENT DEMEURER À L'ÉCART DE CELLES-CI POUR ÉVITER LES BRÛLURES CORPORELLES OU MATÉRIELLES (VÊTEMENTS).
 - UNE SURVEILLANCE ÉTROITE DOIT ÊTRE EXERCÉE LORSQUE DES ENFANTS SE TROUVENT DANS LA PIÈCE OÙ L'APPAREIL EST INSTALLÉ.
 - LES VÊTEMENTS ET AUTRES MATÉRIAUX INFLAMMABLES NE DOIVENT PAS ÊTRE DÉPOSÉS SUR L'APPAREIL NI PRÈS DE CELUI-CI.
 - TOUT PANNEAU OU ÉCRAN QUI A ÉTÉ RETIRÉ POUR INSPECTER OU ENTREtenir L'APPAREIL DOIT ÊTRE RÉINSTALLÉ AVANT QUE L'APPAREIL NE SOIT UTILISÉ DE NOUVEAU.

Figure 5



Exemple de matériel d'emballage à retirer

1. Retirez tous les articles du carton. Retirez tous les matériaux d'emballage appliqués au radiateur pour l'expédition.
2. Vérifiez le radiateur pour déceler tout dommage dû au transport. Si le radiateur est endommagé, informez-en rapidement USSC au (800) 750-2723.

PIÈCES ET OUTILS POUR L'INSTALLATION

INSTALLATION

*** L'installation et le service doivent être effectués par un installateur qualifié, un organisme de service ou le fournisseur de gaz ***

Numéro de modèle	Entrée * Btu/ Hr. (kW)	Max. Pression de l'entrée de gaz (po W.C.) mm. W.C.	Min. Pression de l'entrée de gaz (po W.C.) mm. W.C.	Régilages de régulation de pression Collecteur (po W.C.) mm. W.C.	Type de valve
DVAG11-DF (LP)	11 000	14 po (356mm)	11 po (279mm)	10 po (254mm)	RTZ-WK
DVAG11-DF (NG)	11 000	10,5 po (267mm)	7 po (178mm)	5 po (127mm)	RTZ-WK
DVAG17-DF (LP)	17 500	14 po (356mm)	11 po (279mm)	10 po (254mm)	RTZ-WK
DVAG17-DF (NG)	17 000	10,5 po (267mm)	7 po (178mm)	5 po (127mm)	RTZ-WK
DVAG25-DF (LP)	26 000	14 po (356mm)	11 po (279mm)	10 po (254mm)	RTZ-WK
DVAG25-DF (NG)	27 000	10,5 po (267mm)	7 po (178mm)	5 po (127mm)	RTZ-WK

****REMARQUE :** Pression minimale d'entrée de gaz pour l'ajustement de l'entrée. La côte d'efficacité de cet appareil est une côte d'efficacité thermique déterminée dans des conditions d'utilisation continue et indépendamment de tout système installé.

CARACTÉRISTIQUES DU PRODUIT



Espaces de dégagement minimums aux matériaux combustibles	
Derrière	.25 pouces avec entretoises fournies
Côté	(6 po) 153 mm
Dessus	(46 po) 1169 mm
Plancher	(6 po) 153 mm

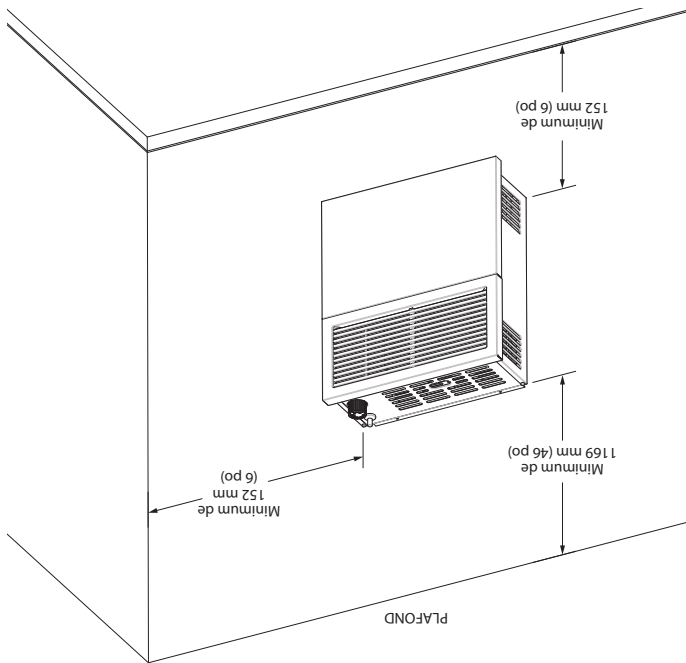


Figure 6

Une copie de toutes les instructions d'installation de l'appareil au gaz à évacuation horizontale murale homologué « Product Approved », de toutes les instructions pour le système d'évacuation, doivent être conservées avec l'appareil une fois l'installation terminée.

IDENTIFICATION DU PRODUIT

CET APPAREIL AU GAZ NE DOIT PAS ÊTRE RACCORDÉ À UN CONDUIT DE CHEMINÉE DESSERVANT UN AUTRE APPAREIL DE CHAUFFAGE À COMBUSTIBLE SOLIDE.

- **IMPORTANT POUR VOTRE SÉCURITÉ**
- **UNE INSTALLATION, UN AJUSTEMENT, UNE MODIFICATION, UN ENTRETIEN OU UNE MAINTENANCE INADÉQUATS PEUVENT PROVOQUER DES DOMMAGES MATÉRIELS, DES BLESSURES CORPORELLES OU LA MORT. RÉFÉREZ-VOUS À CE MANUEL.**
- **L'INSTALLATION ET L'ENTRETIEN DOIVENT ÊTRE EFFECTUÉS PAR UN INSTALLATEUR QUALIFIÉ, UN SERVICE D'ENTRETIEN OU LE FOURNISSEUR DE GAZ.**

N'UTILISEZ PAS L'APPAREIL SI L'UNE OU L'AUTRE DE SES PIÈCES ONT ÉTÉ IMMERGÉES DANS L'EAU. COMMUNIQUEZ IMMÉDIATEMENT AVEC UN TECHNICIEN D'ENTRETIEN QUALIFIÉ AFIN QU'IL INSPECTE L'APPAREIL ET QU'IL REMPLACE TOUT SYSTÈME DE CONTRÔLE OU CONTRÔLE DE GAZ AYANT ÉTÉ IMMERGÉ DANS L'EAU.

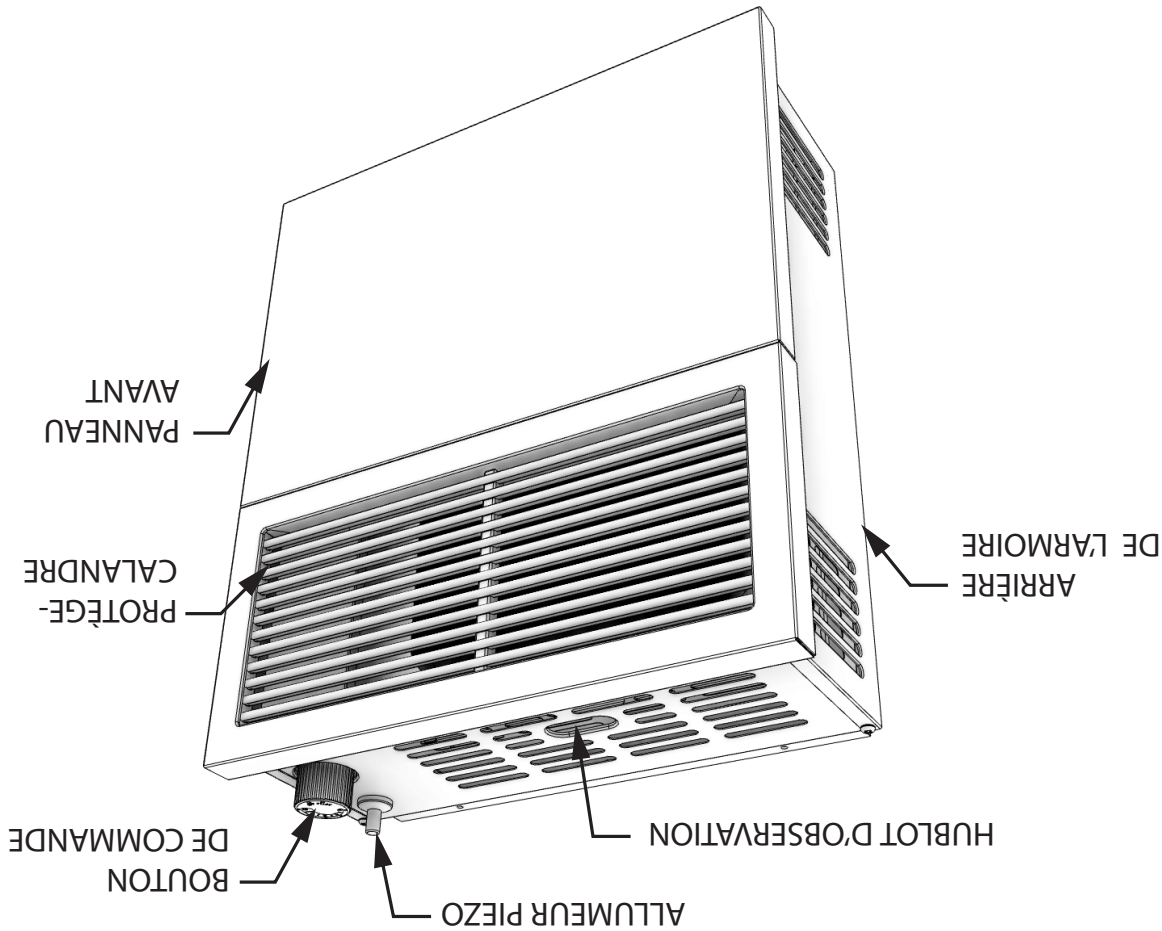


Figure 4

EXIGENCES POUR LE COMMONWEALTH DU

MASSACHUSETTS

Les exigences suivantes renvoient à plusieurs codes

nationaux et codes du Massachusetts ne figurant pas à ce manuel. Pour tout appareil au gaz à évacuation

horizontale murale installé dans toute habitation ou

toute structure utilisée en tout ou en partie à des fins

résidentielles, incluant ceux qui possèdent ou exploitent

l'État du Massachusetts, et où la terminaison du conduit

d'évacuation murale est située à moins de 2,2 mètres

(sept [7] pieds) au-dessus du niveau de toute construction

située à proximité de l'évacuation, incluant notamment

les terrasses et galeries, les exigences suivantes doivent

être respectées :

INSTALLATION DES DÉTECTEURS DE

MONOXYDE DE CARBONE

Au moment d'installer l'appareil au gaz à évacuation

horizontale murale, le plombier (ou le monteur

d'installations au gaz) doit vérifier qu'un détecteur de

monoxyde de carbone câblé avec alarme et batterie de

secours est installé au niveau du sol, où l'appareil au gaz

doit être installé. De plus, le plombier (ou le monteur

d'installations au gaz) doit vérifier qu'un détecteur de

monoxyde de carbone câblé avec alarme et batterie de

secours est installé à tous les autres étages du bâtiment, de

l'habitation ou de la structure desservie par l'appareil

au gaz à évacuation horizontale murale. Le propriétaire

des lieux a la responsabilité de faire exécuter les travaux

d'installation des détecteurs de monoxyde de carbone

câblés, par un professionnel certifié et qualifié. Si

l'appareil au gaz à évacuation horizontale murale doit

être installé dans un grenier (ou un vide sanitaire), le

détecteur de monoxyde de carbone câblé avec alarme

et batterie de secours peut être installé à l'étage du

plancher adjacent. Si les exigences de cette sous-section

ne peuvent pas être satisfaites au moment d'achever

l'installation, le propriétaire disposera d'une période de

trente (30) jours pour se conformer aux exigences ci-

dessus, pourvu toutefois qu'au cours de cette période de

trente (30) jours, un détecteur de monoxyde de carbone

à batterie avec alarme soit installé.

DÉTECTEURS DE MONOXYDE DE CARBONE

APPROUVÉS

Tous les détecteurs de monoxyde de carbone, tel

qu'exigé conformément aux clauses ci-dessus, doivent

être conformes à la norme NFPA 720 et être homologués

ANSI/UL 2034 et certifiés par l'IAS.

PLAQUE SIGNALÉTIQUE

Une plaque d'identification en métal ou en plastique

doit être fixée en permanence à l'extérieur du bâtiment,

au moins 2,5 mètres (8 pieds) au-dessus du niveau de

toute construction située directement en ligne avec la

terminaison du conduit d'évacuation de l'appareil de

chauffage au gaz à évacuation horizontale. La plaque

signalétique doit indiquer, en caractères imprimés

d'au moins un 1/2 pouce (13 mm) de haut : « GAS VENT

DIRECTLY BELOW. KEEP CLEAR OF ALL OBSTRUCTIONS

« (» ÉVACUATION DE GAZ DIRECTEMENT AU-DESSUS.

DÉGAGER DE TOUTE OBSTRUCTION »).

EXEMPTIONS

Les exigences du règlement 248 CMR 5.08 (2) (a) 1 à 4

ne s'appliquent pas aux appareils suivants : les appareils

listés au chapitre 10 intitulé « Equipment Not Required

To Be Vented » dans l'édition courante du NFPA 54 tel

qu'adopté par le Conseil; les appareils au gaz à évacuation

horizontale murale homologués « Product Approved

» et installés dans une pièce ou structure séparée d'un

bâtiment, habitation ou structure, utilisé en tout ou en

partie à des fins résidentielles.

EXIGENCES POUR LES FABRICANTS

Système d'évacuation de gaz fourni : Si le fabricant

d'un appareil au gaz à évacuation horizontale murale

homologué « Product Approved » fournit, avec l'appareil,

un système d'évacuation ou ses composants, les

instructions fournies par le fabricant pour l'installation

de l'appareil et du système d'évacuation doivent

comprendre :

Des instructions détaillées pour l'installation du système

d'évacuation ou de ses composants, une liste complète

des pièces requises pour le système d'évacuation ou ses

composants.

SYSTÈME D'ÉVACUATION DE GAZ NON

FURNI

Si le fabricant d'un appareil au gaz à évacuation horizontale

murale homologué « Product Approved » ne fournit pas

les pièces pour l'évacuation des gaz de combustion,

mais identifie des « systèmes d'évacuation spéciaux », il a

comme obligation de respecter les exigences suivantes :

Inclure les instructions relatives aux « systèmes

d'évacuation spéciaux » avec les instructions d'installation

de l'appareil;

Offrir des « systèmes d'évacuation spéciaux » homologués

« Product Approved » par le Conseil et inclure dans les

instructions de ces systèmes une liste des pièces et des

instructions d'installation détaillées.

Votre cuisinière à gaz ne devrait être installée que par un(e) installateur(trice) qualifié(e). Un(e) installateur(trice) qualifié(e) NFI peut être trouvé(e) à www.nficeritifed.org/public/find-an-nfi-pro/

LISTE DE CONTRÔLE DE L'INSTALLATEUR

Cette liste de vérification doit être remplie intégralement par la personne qualifiée qui installe cet appareil. Conservez cette page pour consultation ultérieure.

Le non-respect de l'installation et de la mise en service conformément aux instructions du fabricant et la non-exécution de cette liste de vérification annuleront la garantie.

Veuillez imprimer

Vérifier le réglage du gaz (LP ou NG)		<input type="checkbox"/> Gaz propane	<input type="checkbox"/> Gaz naturel
Nom du client :		Numéro de téléphone :	
Adresse :			
Modèle :			
Numéro de série :			
Nom de l'entreprise d'installation :		Numéro de téléphone :	
Nom du (de la) technicien(ne) d'installation :		Numéro de licence :	

DESCRIPTION DU TRAVAIL

Eplacement de l'appareil installé :

LISTE DE CONTRÔLE

- Confirmez les dégagements aux combustibles conformément aux instructions d'installation de ce manuel.....
- Confirmez que le système de ventilation est sécurisé et scellé.....
- Confirmez que la cuisinière démarre et fonctionne correctement.....
- Assurez-vous qu'un avertisseur de CO est installé conformément aux codes de construction locaux et qu'il est fonctionnel.....
- Expliquez le fonctionnement en toute sécurité, l'utilisation appropriée du carburant, le nettoyage et les exigences d'entretien de routine.....

Déclaration d'achèvement des travaux : En tant que personne qualifiée responsable des travaux décrits ci-dessus, je confirme que l'appareil en tant que travail associé a été installé conformément aux instructions du fabricant et en suivant les codes de construction et d'installation applicables.

Signé : _____ Nom en lettres moulées : _____ Date : _____

Propriétaire de la maison : CONSERVEZ CES INFORMATIONS POUR CONSULTATION ULTÉRIEURE

Installateur (facultatif) : conservez une copie pour vos dossiers.



Remarque: Enregistrez votre produit en utilisant votre téléphone intelligent avec le code QR. Conservez vos reçus avec vos dossiers pour toute réclamation au titre de la garantie.

Vous pouvez également enregistrer votre produit en ligne sur www.usstove.com/support/product-registration / Ou en téléchargeant l'application US Stove Company disponible pour iOS et Android.

customer@ussstove.com

Écrivez-nous à :

Texte au 423-301-5624 ou :

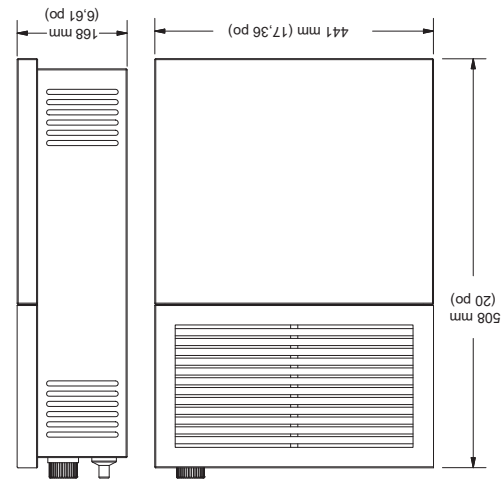
1-800-750-2723 poste 5050 ou :

Pour le service client, veuillez appeler :

Modèle DVAG11-DF

Figure 1

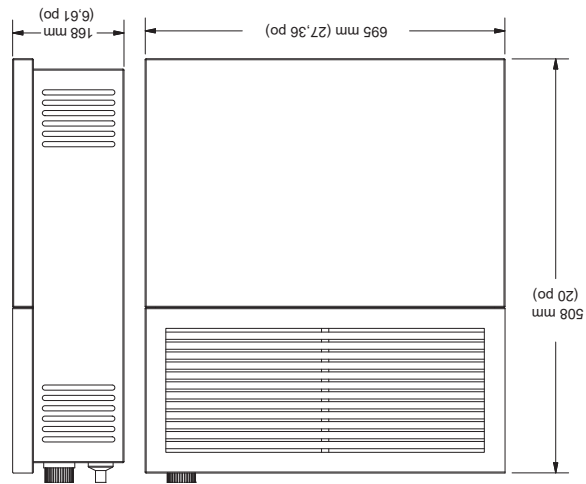
Hauteur	(20) 508 mm
Largueur	(17,36) 441 mm
Profondeur	(6,61) 168 mm
Poids (lb) kg	(28) 12,7 kg
Allumage	Allumeur piézo-électrique
Orifice supérieur	#55
Orifice inférieur	#62



Modèle DVAG17-DF

Figure 2

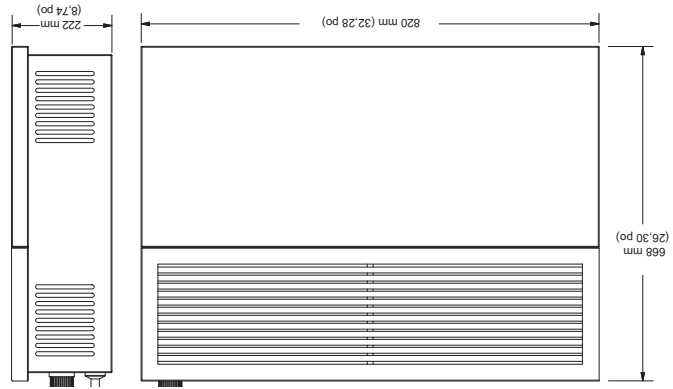
Hauteur	(20) 508 mm
Largueur	(27,36) 695 mm
Profondeur	(6,61) 168 mm
Poids (lb) kg	(43) 19,5 kg
Allumage	Allumeur piézo-électrique
Orifice supérieur	#54
Orifice inférieur	#56



Modèle DVAG25-DF

Figure 3

Hauteur	(26,30) 668 mm
Largueur	(32,28) 820 mm
Profondeur	(8,74) 222 mm
Poids (lb) kg	(62,2) 28,2 kg
Allumage	Allumeur piézo-électrique
Orifice supérieur	#52
Orifice inférieur	#53



Manuel d'instruction et d'utilisation destiné au propriétaire

Ashley
America's Hearth Since 1905

Numéro de modèle:

DVAG11-DF, DVAG17-DF,

DVAG25-DF



Numéro de rapport: F23-193R1

Certifié ANSI STD Z21.86-2016 (R2021)
et Certifié CSA STD 2.32-2016 (R2021)

*Toutes les images contenues dans le présent manuel ne sont fournies qu'à titre d'illustration. Le produit en question peut différer de celui illustré.

Gardez les instructions dans un endroit sûr pour consultation ultérieure.

AVERTISSEMENT: Si les informations contenues dans ces instructions ne sont pas suivies à la lettre, un incendie ou une explosion peut en résulter, causant des dommages matériels, des blessures corporelles ou la mort.

- Ne stockez pas et n'utilisez pas d'essence ou d'autres vapeurs et liquides inflammables à proximité de cet appareil ou de tout autre appareil.

- QUE FAIRE SI VOUS SENTEZ DU GAZ :

- N'essayez pas d'allumer un appareil.
- Ne touchez à aucun interrupteur électrique ; n'utilisez aucun téléphone dans votre immeuble.
- Appelez immédiatement votre fournisseur de gaz à partir du téléphone d'un voisin. Suivez les instructions du fournisseur de gaz.
- Si vous ne pouvez pas joindre votre fournisseur de gaz, appelez les pompiers.
- L'installation et l'entretien doivent être effectués par un installateur qualifié, une agence d'entretien ou le fournisseur de gaz.

* L'installation et le service doivent être effectués par un installateur qualifié, un organisme de service ou le fournisseur de gaz *

Veillez lire ce manuel AVANT d'installer et d'utiliser cet appareil.

**INSTALLATEUR: Laissez ce manuel avec l'appareil.
CONSUMMATEUR: Conservez ce manuel pour consultation ultérieure.**

AVERTISSEMENT CONCERNANT LA PROPOSITION 65 DE LA CALIFORNIE:

Ce produit peut vous exposer à des agents chimiques, y compris au monoxyde de carbone, lequel est reconnu dans l'état de la Californie comme causant le cancer, des malformations congénitales et/ou d'autres dommages à l'appareil reproductif. Pour obtenir plus de renseignements, veuillez consulter le site www.P65warnings.ca.gov